



User Reference Manual 8.2

08.03.2001



NOTICE

Enterasys Networks and its licensors reserve the right to make changes in specifications and other information contained in this document without prior notice. The reader should in all cases consult Enterasys Networks to determine whether any such changes have been made.

The hardware, firmware, or software described in this manual is subject to change without notice.

IN NO EVENT SHALL ENTERASYS NETWORKS AND ITS LICENSORS BE LIABLE FOR ANY INCIDENTAL, INDIRECT, SPECIAL, OR CONSEQUENTIAL DAMAGES WHATSOEVER (INCLUDING BUT NOT LIMITED TO LOST PROFITS) ARISING OUT OF OR RELATED TO THIS MANUAL OR THE INFORMATION CONTAINED IN IT, EVEN IF ENTERASYS NETWORKS AND ITS LICENSORS HAVE BEEN ADVISED OF, KNOWN, OR SHOULD HAVE KNOWN, THE POSSIBILITY OF SUCH DAMAGES.

Enterasys Networks, Inc.
35 Industrial Way
Rochester, NH 03866-5005

Enterasys Networks, Inc. is a subsidiary of Cabletron Systems, Inc.

© 2001 by Enterasys Networks, Inc.
All Rights Reserved
Printed in the United States of America

Order Number: 9032578-10 August 2001

LANVIEW is a registered trademark of Enterasys Networks or its licensors; SmartSwitch and Enterasys Networks are trademarks of Enterasys Networks or its licensors. SPECTRUM is a registered trademark of Aprisma Management Technologies or its licensors.

All other product names mentioned in this manual may be trademarks or registered trademarks of their respective companies.

ENTERASYS NETWORKS, INC. PROGRAM LICENSE AGREEMENT

BEFORE OPENING OR UTILIZING THE ENCLOSED PRODUCT, CAREFULLY READ THIS LICENSE AGREEMENT.

This document is an agreement (“Agreement”) between You, the end user, and Enterasys Networks, Inc. (“Enterasys”) that sets forth your rights and obligations with respect to the Enterasys software program (“Program”) in the package. The Program may be contained in firmware, chips or other media. UTILIZING THE ENCLOSED PRODUCT, YOU ARE AGREEING TO BECOME BOUND BY THE TERMS OF THIS AGREEMENT, WHICH INCLUDES THE LICENSE AND THE LIMITATION OF WARRANTY AND DISCLAIMER OF LIABILITY. IF YOU DO NOT AGREE TO THE TERMS OF THIS AGREEMENT, RETURN THE UNOPENED PRODUCT TO ENTERASYS OR YOUR DEALER, IF ANY, WITHIN TEN (10) DAYS FOLLOWING THE DATE OF RECEIPT FOR A FULL REFUND.

IF YOU HAVE ANY QUESTIONS ABOUT THIS AGREEMENT, CONTACT ENTERASYS NETWORKS (603) 332-9400. Attn: Legal Department.

1. LICENSE. You have the right to use only the one (1) copy of the Program provided in this package subject to the terms and conditions of this License Agreement.

You may not copy, reproduce or transmit any part of the Program except as permitted by the Copyright Act of the United States or as authorized in writing by Enterasys.

2. OTHER RESTRICTIONS. You may not reverse engineer, decompile, or disassemble the Program.

3. APPLICABLE LAW. This License Agreement shall be interpreted and governed under the laws and in the state and federal courts of New Hampshire. You accept the personal jurisdiction and venue of the New Hampshire courts.

4. EXPORT REQUIREMENTS. You understand that Enterasys and its Affiliates are subject to regulation by agencies of the U.S. Government, including the U.S. Department of Commerce, which prohibit export or diversion of certain technical products to certain countries, unless a license to export the product is obtained from the U.S. Government or an exception from obtaining such license may be relied upon by the exporting party.

If the Program is exported from the United States pursuant to the License Exception CIV under the U.S. Export Administration Regulations, You agree that You are a civil end user of the Program and agree that You will use the Program for civil end uses only and not for military purposes.

If the Program is exported from the United States pursuant to the License Exception TSR under the U.S. Export Administration Regulations, in addition to the restriction on transfer set forth in Sections 1 or 2 of this Agreement, You agree not to (i) reexport or release the Program, the source code for the Program or technology to a national of a country in Country Groups D:1 or E:2 (Albania, Armenia, Azerbaijan, Belarus, Bulgaria, Cambodia, Cuba, Estonia, Georgia, Iraq, Kazakhstan, Kyrgyzstan, Laos, Latvia, Libya, Lithuania, Moldova, North Korea, the People’s Republic of China, Romania, Russia, Rwanda, Tajikistan, Turkmenistan, Ukraine, Uzbekistan, Vietnam, or such other countries as may be designated by the United States Government), (ii) export to Country Groups D:1 or E:2 (as defined herein) the direct product of the Program or the technology, if such foreign produced direct product is subject to national security controls as identified on the U.S. Commerce Control List, or (iii) if the direct product of the technology is a complete plant or any major component of a plant, export to Country Groups D:1 or E:2 the direct product of the plant or a major component thereof, if such foreign produced direct product is subject to national security controls as identified on the U.S. Commerce Control List or is subject to State Department controls under the U.S. Munitions List.

5. UNITED STATES GOVERNMENT RESTRICTED RIGHTS. The enclosed Product (i) was developed solely at private expense; (ii) contains “restricted computer software” submitted with restricted rights in accordance with section 52.227-19 (a) through (d) of the Commercial Computer Software-Restricted Rights Clause and its successors, and (iii) in all respects is proprietary data belonging to Enterasys and/or its suppliers. For Department of Defense units, the Product is considered commercial computer software in accordance with DFARS section 227.7202-3 and its successors, and use, duplication, or disclosure by the Government is subject to restrictions set forth herein.

6. EXCLUSION OF WARRANTY. Except as may be specifically provided by Enterasys in writing, Enterasys makes no warranty, expressed or implied, concerning the Program (including its documentation and media).

ENTERASYS DISCLAIMS ALL WARRANTIES, OTHER THAN THOSE SUPPLIED TO YOU BY ENTERASYS IN WRITING, EITHER EXPRESS OR IMPLIED, INCLUDING BUT NOT LIMITED TO IMPLIED WARRANTIES OF MERCHANTABILITY AND FITNESS FOR A PARTICULAR PURPOSE, WITH RESPECT TO THE PROGRAM, THE ACCOMPANYING WRITTEN MATERIALS, AND ANY ACCOMPANYING HARDWARE.

7. NO LIABILITY FOR CONSEQUENTIAL DAMAGES. IN NO EVENT SHALL ENTERASYS OR ITS SUPPLIERS BE LIABLE FOR ANY DAMAGES WHATSOEVER (INCLUDING, WITHOUT LIMITATION, DAMAGES FOR LOSS OF BUSINESS, PROFITS, BUSINESS INTERRUPTION, LOSS OF BUSINESS INFORMATION, SPECIAL, INCIDENTAL, CONSEQUENTIAL, OR RELIANCE DAMAGES, OR OTHER LOSS) ARISING OUT OF THE USE OR INABILITY TO USE THIS ENTERASYS PRODUCT, EVEN IF ENTERASYS HAS BEEN ADVISED OF THE POSSIBILITY OF SUCH DAMAGES. BECAUSE SOME STATES DO NOT ALLOW THE EXCLUSION OR LIMITATION OF LIABILITY FOR CONSEQUENTIAL OR INCIDENTAL DAMAGES, OR IN THE DURATION OR LIMITATION OF IMPLIED WARRANTIES IN SOME INSTANCES, THE ABOVE LIMITATION AND EXCLUSIONS MAY NOT APPLY TO YOU.

DECLARATION OF CONFORMITY

Application of Council Directive(s): **89/336/EEC**
73/23/EEC

Manufacturer's Name: **Enterasys Networks, Inc.**

Manufacturer's Address: **35 Industrial Way**
PO Box 5005
Rochester, NH 03867

European Representative Name: **Mr. Jim Sims**

European Representative Address: **Enterasys Networks Ltd.**
Nexus House, Newbury Business Park
London Road, Newbury
Berkshire RG14 2PZ, England

Conformance to Directive(s)/Product Standards: **EC Directive 89/336/EEC**
EC Directive 73/23/EEC
EN 55022
EN 55024
EN 60950
EN 60825

Equipment Type/Environment: **Networking Equipment, for use in a Commercial**
or Light Industrial Environment.

Enterasys Networks, Inc. declares that the equipment packaged with this notice conforms to the above directives.

Contents

Chapter 1: Introduction	1
What's New.....	1
Related Documentation.....	2
Document Conventions.....	2
Getting Help.....	2
Chapter 2: Maintaining Configuration Files.....	5
Configuration Files	5
Changing Configuration Information.....	6
Displaying Configuration Information.....	8
Activating the Configuration Changes and	
Saving the Configuration File	9
Activating the Configuration Commands in the Scratchpad	9
Saving the Active Configuration to the Startup Configuration File	9
Viewing the Current Configuration	10
Backing up and Restoring the Startup Configuration File.....	11
Backing up and Restoring the System Image	11
Configuring System Settings	12
Setting Daylight Saving Time.....	13
Configuring a Log-in Banner.....	13
Chapter 3: Virtual File Systems	15
PCMCIA Virtual File System (VFS).....	15
Changing the Virtual File System.....	16
Chapter 4: Using the CLI.....	17
Command Modes	17
User Mode	17
Enable Mode.....	18
Configure Mode.....	18
Boot PROM Mode.....	18
Native and Common CLI Modes.....	19
Native to Common	19
Common to native (Firmware version E8.2.0.0 and newer)	19
Common to native (Firmware versions E8.1.x.x and earlier)	19
Establishing Telnet Sessions	19
Setting CLI Parameters	20
Getting Help with CLI Commands	21

Line Editing Commands	23
Port Names	25
Chapter 5: Hot Swapping Line Cards and Control Modules.....	27
Hot Swapping Overview	27
Hot Swapping Line Cards	28
Deactivating the Line Card	28
Removing the Line Card	29
Installing a New Line Card	29
Hot Swapping One Type of Line Card With Another	29
Hot Swapping a Secondary Control Module.....	30
Deactivating the Control Module.....	30
Removing the Control Module	31
Installing a Control Module	31
Hot Swapping a Switching Fabric Module (XP-8600 only)	32
Removing the Switching Fabric Module	32
Installing a Switching Fabric Module	32
Hot Swapping a GBIC (ER16 only).....	33
Removing a GBIC from the Line Card	33
Installing a GBIC into the Line Card	34
Chapter 6: Bridging Configuration Guide	35
Bridging Overview	35
Spanning Tree (IEEE 802.1D & IEEE 802.1w)	35
Bridging Modes (Flow-Based and Address-Based).....	35
VLAN Overview	36
Port-based VLANs.....	37
MAC-address-based VLANs.....	37
Protocol-based VLANs.....	37
Subnet-based VLANs	37
Multicast-based VLANs	37
Policy-based VLANs	37
XP VLAN Support.....	38
VLANs and the XP	38
Ports, VLANs, and L3 Interfaces.....	39
Access Ports and Trunk Ports (802.1P and 802.1Q support).....	40
Explicit and Implicit VLANs.....	40
Configuring XP Bridging Functions	40
Configuring Address-based or Flow-based Bridging	40
Configuring Spanning Tree.....	42
Enabling Rapid Spanning Tree Protocol (RSTP)	42
Adjusting Spanning-Tree Parameters	43
Setting the Bridge Priority	43
Setting a Port Priority	43
Assigning Port Costs.....	44
Adjusting Bridge Protocol Data Unit (BPDU) Intervals	44
Adjusting the Interval between Hello Times.....	44
Defining the Forward Delay Interval.....	45
Defining the Maximum Age.....	45

Adjusting RSTP parameters.....	45
Configuring a Port- or Protocol-Based VLAN	46
Creating a Port or Protocol Based VLAN	46
Adding Ports to a VLAN.....	46
Configuring VLAN Trunk Ports.....	46
Configuring VLANs for Bridging	46
Configuring Layer-2 Filters	47
Monitoring Bridging	48
Configuration Examples	48
Creating an IP or IPX VLAN	48
Creating a non-IP/non-IPX VLAN	49
Configuring per-VLAN spanning tree with RSTP enabled.....	49
Chapter 7: SmartTRUNK Configuration Guide	51
Overview	51
Configuring SmartTRUNKs	51
Creating a SmartTRUNK.....	52
Add Physical Ports to the SmartTRUNK	52
Specify Traffic Distribution Policy (Optional).....	53
Specify Actor Parameters for LACP (Link Aggregation Control Protocol)	53
Monitoring SmartTRUNKs.....	54
Example Configurations	55
Chapter 8: ATM Configuration Guide	57
ATM Overview	57
Virtual Channels	58
Creating a Virtual Channel	58
Virtual channel and IPX Routing	59
Setting the Operation Mode for a Virtual Channel.....	59
Service Profile Definition	61
Creating a Service Profile Definition.....	61
Applying a Service Profile Definition	63
Cell Scrambling.....	63
Enabling Cell Scrambling	63
Cell Mapping.....	64
Selecting the Cell Mapping Format	64
VPI Bit Allocation	65
Setting the Bit Allocation for VPI	65
Peer Address Mapping	66
Mapping a Peer Address to a Virtual Channel	66
Displaying ATM Port Information	67
ATM Sample Configuration 1	71
Configuring an Interface on each Ethernet Port	71
Creating a Virtual Channel	72
Defining an ATM Service Profile.....	72
Applying an ATM Service Profile.....	73
Configuring an Interface on an ATM Port.....	73
Configuring an IP Route.....	73
ATM Sample Configuration 2	75

Traffic from Subnet A and Subnet B to Subnet C	76
Step 1: Configuring an Interface on Each Ethernet Port	76
Step 2: Creating a Virtual Channel	76
Step 3: Configuring an Interface on Each ATM Port	77
Step 4: Defining an ATM Service Profile	77
Step 5: Applying an ATM Service Profile.....	78
Step 6: Create an IP ACL	78
Step 7: Specify a Gateway for an IP Policy	78
Step 8: Apply the IP Policy to the Ethernet Ports.....	79
Traffic from Subnet C to Subnet A and Subnet B	79
Step 9: Create an IP ACL	79
Step 10: Specify a Gateway for an IP Policy.....	79
Step 11: Apply the IP Policy to the Ethernet Port	79
ATM Sample Configuration 3.....	80
Configure an Interface on an Ethernet Port	80
Create a Virtual Channel.....	81
Create a VLAN	81
Associate a Virtual Channel to a VLAN.....	81
Define an ATM Service Class	82
Apply an ATM Service Class	82
Configure an Interface on an ATM Port	82
ATM Sample Configuration 4.....	83
Create the Virtual Channels	84
Create a VLAN	84
Associate a Virtual Channel to a VLAN.....	84
Configure an Interface on an ATM Port	85
Assign a Peer Address to each Virtual Channel (for VC-mux encapsulation traffic).....	85
Chapter 9: Packet-over-SONET Configuration Guide.....	87
Overview	87
Configuring IP Interfaces for PoS Links.....	87
Configuring Packet-over-SONET Links.....	88
Configuring Automatic Protection Switching.....	89
Configuring Working and Protecting Ports	90
Specifying Bit Error Rate Thresholds	91
Monitoring PoS Ports.....	92
Example Configurations.....	93
APS PoS Links Between XPs	93
PoS Link Between the XP and a Cisco Router	94
Bridging and Routing Traffic Over a PoS Link	94
Chapter 10: DHCP Configuration Guide.....	97
DHCP Overview	97
Configuring DHCP.....	98
Configuring an IP Address Pool	98
Configuring Client Parameters.....	98
Configuring a Static IP Address.....	99
Grouping Scopes with a Common Interface	99

Configuring DHCP Server Parameters	100
Updating the Lease Database	100
Monitoring the DHCP Server	100
DHCP Configuration Examples	100
Configuring Secondary Subnets	102
Secondary Subnets and Directly-Connected Clients	103
Interacting with Relay Agents	104
Chapter 11: IP Routing Configuration Guide	105
IP Routing Protocols	105
Unicast Routing Protocols	105
Multicast Routing Protocols	106
Configuring IP Interfaces and Parameters	106
Configuring IP Interfaces to Ports	107
Configuring IP Interfaces for a VLAN	107
Specifying Ethernet Encapsulation Method	107
Configuring Jumbo Frames	108
Configuring Address Resolution Protocol (ARP)	109
Configuring ARP Cache Entries	109
Unresolved MAC Addresses for ARP Entries	109
Configuring Proxy ARP	110
Configuring Reverse Address Resolution Protocol (RARP)	110
Specifying IP Interfaces for RARP	111
Defining MAC-to-IP Address Mappings	111
Monitoring RARP	111
Configuring DNS Parameters	112
Configuring IP Services (ICMP)	112
Configuring IP Helper	112
Configuring Direct Broadcast	113
Configuring Denial of Service (DOS)	113
Monitoring IP Parameters	114
Configuring Router Discovery	115
Configuration Examples	117
Assigning IP/IPX Interfaces	117
Chapter 12: VRRP Configuration Guide	119
VRRP Overview	119
Configuring VRRP	119
Basic VRRP Configuration	120
Configuration of Router R1	120
Configuration for Router R2	121
Symmetrical Configuration	121
Configuration of Router R1	122
Configuration of Router R2	123
Multi-Backup Configuration	123
Configuration of Router R1	125
Configuration of Router R2	126
Configuration of Router R3	127
Additional Configuration	128

Setting the Backup Priority	128
Setting the Warm-up Period	128
Setting the Advertisement Interval	128
Setting Pre-empt Mode	129
Setting an Authentication Key	129
Monitoring VRRP	129
ip-redundancy trace	130
ip-redundancy show	131
VRRP Configuration Notes	132
Chapter 13: RIP Configuration Guide	135
RIP Overview	135
Configuring RIP	135
Enabling and Disabling RIP	136
Configuring RIP Interfaces	136
Configuring RIP Parameters	136
Configuring RIP Route Preference	138
Configuring RIP Route Default-Metric	138
Monitoring RIP	138
Configuration Example	139
Chapter 14: OSPF Configuration Guide	141
OSPF Overview	141
OSPF Multipath	142
Configuring OSPF	142
Enabling OSPF	143
Configuring OSPF Interface Parameters	143
Default Cost of an OSPF Interface	143
Configuring an OSPF Area	145
Configuring OSPF Area Parameters	145
Creating Virtual Links	146
Configuring Autonomous System External (ASE) Link Advertisements	146
Configuring OSPF for Different Types of Interfaces	147
Monitoring OSPF	148
OSPF Configuration Examples	149
Exporting All Interface & Static Routes to OSPF	150
Exporting All RIP, Interface & Static Routes to OSPF	151
Chapter 15: BGP Configuration Guide	155
BGP Overview	155
The XP BGP Implementation	156
Basic BGP Tasks	156
Setting the Autonomous System Number	157
Setting the Router ID	157
Configuring a BGP Peer Group	157
Adding and Removing a BGP Peer	158
Starting BGP	159
Using AS-Path Regular Expressions	159
AS-Path Regular Expression Examples	160

Using the AS Path Prepend Feature.....	161
Notes on Using the AS Path Prepend Feature	161
BGP Configuration Examples.....	162
BGP Peering Session Example	162
IBGP Configuration Example.....	164
IBGP Routing Group Example.....	165
IBGP Internal Group Example	167
EBGP Multihop Configuration Example.....	170
Community Attribute Example.....	173
Notes on Using Communities.....	178
Local Preference Examples	179
Using the local-pref Option	181
Using the set-pref Option	181
Multi-Exit Discriminator Attribute Example.....	182
EBGP Aggregation Example.....	183
Route Reflection Example.....	184
Notes on Using Route Reflection	187
Chapter 16: Routing Policy Configuration Guide.....	189
Route Import and Export Policy Overview.....	189
Preference	189
Import Policies.....	190
Import-Source.....	191
Route-Filter.....	191
Export Policies.....	192
Export-Destination.....	192
Export-Source	192
Route-Filter.....	193
Specifying a Route Filter	193
Aggregates and Generates	194
Aggregate-Destination.....	194
Aggregate-Source	195
Route-Filter.....	195
Authentication.....	195
Authentication Methods	196
Authentication Keys and Key Management.....	196
Configuring Simple Routing Policies	197
Redistributing Static Routes	197
Redistributing Directly Attached Networks	197
Redistributing RIP into RIP.....	198
Redistributing RIP into OSPF.....	198
Redistributing OSPF to RIP.....	198
Redistributing Aggregate Routes.....	199
Simple Route Redistribution Examples.....	199
Example 1: Redistribution into RIP.....	199
Exporting a Given Static Route to All RIP Interfaces.....	200
Exporting All Static Routes to All RIP Interfaces.....	200
Exporting All Static Routes Except the Default Route to All RIP Interfaces	200
Example 2: Redistribution into OSPF	200
Exporting All Interface & Static Routes to OSPF.....	201

Exporting All RIP, Interface & Static Routes to OSPF.....	201
Configuring Advanced Routing Policies.....	202
Export Policies	202
Creating an Export Destination.....	204
Creating an Export Source	204
Import Policies	204
Creating an Import Source	205
Creating a Route Filter.....	205
Creating an Aggregate Route.....	206
Creating an Aggregate Destination	207
Creating an Aggregate Source	207
Examples of Import Policies	207
Example 1: Importing from RIP	207
Importing a Selected Subset of Routes from One RIP Trusted Gateway.....	210
Importing a Selected Subset of Routes from All RIP Peers Accessible Over a Certain Interface.....	210
Example 2: Importing from OSPF.....	210
Importing a Selected Subset of OSPF-ASE Routes	213
Examples of Export Policies	214
Example 1: Exporting to RIP.....	214
Exporting a Given Static Route to All RIP Interfaces.....	215
Exporting a Given Static Route to a Specific RIP Interface.....	216
Exporting All Static Routes Reachable Over a Given Interface to a Specific RIP- Interface	216
Exporting Aggregate-Routes into RIP.....	218
Example 2: Exporting to OSPF	219
Exporting All Interface & Static Routes to OSPF.....	220
Exporting All RIP, Interface & Static Routes to OSPF.....	221
Chapter 17: Multicast Routing Configuration Guide	223
IP Multicast Overview	223
IGMP Overview	223
Configuring IGMP.....	224
IGMP on an IP Interface.....	224
IGMP Query Interval	224
IGMP Response Wait Time.....	224
Per-Interface Control of IGMP Membership.....	225
Static IGMP Groups.....	225
L2 Snooping.....	225
DVMRP Overview.....	226
Configuring DVMRP.....	226
Starting and Stopping DVMRP	227
DVMRP on Individual Interfaces	227
DVMRP Parameters	227
DVMRP Routing Metric.....	228
DVMRP TTL & Scope.....	228
DVMRP Tunnels	229
Monitoring IGMP & DVMRP	229
Configuration Examples.....	230

Chapter 18: IP Policy-Based Forwarding Configuration Guide.....	233
Overview	233
Configuring IP Policies.....	234
Defining an ACL Profile.....	234
Associating the Profile with an IP Policy	234
Creating Multi-Statement IP Policies	235
Setting the IP Policy Action	235
Setting Load Distribution for Next-Hop Gateways	236
Applying an IP Policy to an Interface.....	236
Applying an IP Policy to Locally Generated Packets.....	236
IP Policy Configuration Examples.....	237
Routing Traffic to Different ISPs	237
Prioritizing Service to Customers	238
Authenticating Users through a Firewall	239
Firewall Load Balancing	240
Monitoring IP Policies	241
Chapter 19: Network Address Translation Configuration Guide	245
Overview	245
Configuring NAT.....	246
Setting Inside and Outside Interfaces	246
Setting NAT Rules.....	247
Static	247
Dynamic.....	247
Forcing Flows through NAT	247
Managing Dynamic Bindings	247
NAT and DNS.....	248
NAT and ICMP Packets.....	249
NAT and FTP.....	249
Monitoring NAT	249
Configuration Examples	249
Static Configuration	250
Using Static NAT	250
Dynamic Configuration	251
Using Dynamic NAT	251
Dynamic NAT with IP Overload (PAT) Configuration	252
Using Dynamic NAT with IP Overload	253
Dynamic NAT with DNS	253
Using Dynamic NAT with DNS.....	254
Dynamic NAT with Outside Interface Redundancy.....	254
Using Dynamic NAT with Matching Interface Redundancy	255
Chapter 20: Web Hosting Configuration Guide.....	257
Overview	257
Load Balancing	258
Configuring Load Balancing	258
Creating the Server Group.....	258
Adding Servers to the Load Balancing Group.....	259
Session Persistence	259

Optional Group or Server Operating Parameters	261
Specifying Load Balancing Policy	261
Specifying a Connection Threshold.....	261
Verifying Servers and Applications.....	262
Verifying Extended Content	263
Setting Server Status	263
Load Balancing and FTP.....	264
Allowing Access to Load Balancing Servers.....	264
Setting Timeouts for Load Balancing Mappings	264
Displaying Load Balancing Information.....	265
Configuration Examples	265
Web Hosting with One Virtual Group and Multiple Destination Servers.....	266
Web Hosting with Multiple Virtual Groups and Multiple Destination Servers	267
Virtual IP Address Ranges.....	267
Session and Netmask Persistence	268
Web Caching	269
Configuring Web Caching	270
Creating the Cache Group.....	270
Specifying the Client(s) for the Cache Group (Optional).....	270
Redirecting HTTP Traffic on an Interface.....	270
Configuration Example	271
Other Configurations.....	271
Bypassing Cache Servers	272
Proxy Server Redundancy	272
Distributing Frequently-Accessed Sites Across Cache Servers	272
Monitoring Web-Caching	273
Chapter 21: IPX Routing Configuration Guide.....	275
IPX Routing Overview.....	275
RIP (Routing Information Protocol)	276
SAP (Service Advertising Protocol)	276
Configuring IPX RIP & SAP	277
IPX RIP	277
IPX SAP	277
Creating IPX Interfaces.....	277
IPX Addresses.....	277
Configuring IPX Interfaces and Parameters.....	278
Configuring IPX Addresses to Ports	278
Configuring Secondary Addresses on an IPX Interface	278
Configuring IPX Interfaces for a VLAN	278
Specifying IPX Encapsulation Method.....	278
Configuring IPX Routing	279
Enabling IPX RIP.....	279
Enabling SAP.....	279
Configuring Static Routes.....	279
Configuring Static SAP Table Entries	280
Controlling Access to IPX Networks.....	280
Creating an IPX Access Control List.....	280
Creating an IPX Type 20 Access Control List	281
Creating an IPX SAP Access Control List	281

Creating an IPX GNS Access Control List	281
Creating an IPX RIP Access Control List	282
Monitoring an IPX Network	283
Configuration Examples	283
Chapter 22: Access Control List Configuration Guide.....	285
ACL Basics	286
Defining Selection Criteria in ACL Rules	286
How ACL Rules are Evaluated.....	288
Implicit Deny Rule.....	288
Allowing External Responses to Established TCP Connections	290
Creating and Modifying ACLs	290
Editing ACLs Offline.....	291
Maintaining ACLs Using the ACL Editor	291
Using ACLs.....	292
Applying ACLs to Interfaces.....	292
Applying ACLs to Services	293
Applying ACLs to Layer-4 Bridging Ports.....	293
Using ACLs as Profiles.....	294
Using Profile ACLs with the IP Policy Facility	295
Using Profile ACLs with the Traffic Rate Limiting Facility.....	295
Using Profile ACLs with Dynamic NAT	296
Using Profile ACLs with the Port Mirroring Facility.....	297
Using Profile ACLs with the Web Caching Facility	297
Redirecting HTTP Traffic to Cache Servers	297
Preventing Web Objects From Being Cached.....	298
Enabling ACL Logging.....	299
Monitoring ACLs.....	299
Chapter 23: Security Configuration Guide.....	301
Security Overview.....	301
Configuring XP Access Security	302
RADIUS.....	302
Configuring RADIUS.....	302
Monitoring RADIUS	303
Configuring Passwords.....	303
TACACS.....	303
Configuring TACACS	303
Monitoring TACACS	304
Configuring Passwords.....	304
TACACS Plus.....	304
Configuring TACACS Plus	304
Monitoring TACACS Plus	305
Configuring Passwords.....	306
Layer-2 Security Filters	306
Configuring Layer-2 Address Filters.....	306
Configuring Layer-2 Port-to-Address Lock Filters	307
Configuring Layer-2 Static-Entry Filters.....	307
Configuring Layer-2 Secure Port Filters	308

Monitoring Layer-2 Security Filters	309
Layer-2 Filter Examples.....	309
Example 1: Address Filters.....	309
Static Entries Example.....	310
Port-to-Address Lock Examples.....	310
Example 2: Secure Ports	311
Layer-3 Security Controls	311
Access Control Lists (ACLs).....	311
Rate Limiting	311
Features Available	312
Configuration	312
Sample configuration: Per-Flow Rate Limiting	314
Output	315
Diagrams.....	315
Enable / Disable	315
Broadcast Monitor.....	315
Features Available	315
Configuration	316
Sample configuration: Monitor All Unlearned Traffic.....	316
Output	317
Diagrams.....	317
Enable / Disable	317
Port Mirroring	317
Features Available	317
Configuration	317
Sample configurations	318
Example 1: One to Many Mirror	318
Example 2: Many To One Mirror.....	319
Example 3: ACL Mirror	319
Output	319
Diagrams.....	319
Enable / Disable	319
Layer-4 Bridging and Filtering	320
Creating a Port-Based VLAN for Layer-4 Bridging.....	320
Placing the Ports on the Same VLAN.....	321
Enabling Layer-4 Bridging on the VLAN	321
Creating ACLs to Specify Selection Criteria for Layer-4 Bridging	322
Applying a Layer-4 Bridging ACL to a Port	322
Notes	323
Chapter 24: QoS Configuration Guide.....	325
QoS and Layer-2, Layer-3, and Layer-4 Flow Overview	325
Layer-2, Layer-3, and Layer-4 Flow Specification.....	326
Precedence for Layer-3 Flows	327
XP Queuing Policies	327
Traffic Prioritization for Layer-2 Flows.....	327
Configuring Layer-2 QoS	328
802.1p Priority Mapping	328
Creating and Applying a New Priority Map.....	329
Removing or Disabling Per-Port Priority Map.....	329

Displaying Priority Map Information	330
Traffic Prioritization for Layer-3 & Layer-4 Flows.....	330
Configuring IP QoS Policies.....	330
Setting an IP QoS Policy	331
Specifying Precedence for an IP QoS Policy	331
Configuring IPX QoS Policies.....	331
Setting an IPX QoS Policy	331
Specifying Precedence for an IPX QoS Policy	332
Configuring XP Queueing Policy	332
Allocating Bandwidth for a Weighted-Fair Queuing Policy	332
Weighted Random Early Detection (WRED).....	333
ToS Rewrite	333
Configuring ToS Rewrite for IP Packets	334
Monitoring QoS	336
Limiting Traffic Rate	336
Rate Limiting Modes	337
Per-Flow Rate Limiting	338
Software-Based Flow-Aggregate Rate Limiting	338
Port Rate Limiting	339
VLAN Rate Limiting	339
Aggregate Rate Limiting	340
Example Configurations	341
Per-Flow Rate Limiting	341
Flow-Aggregate Rate Limiting.....	341
Aggregate Rate Limiting	342
Displaying Rate Limit Information.....	342
Chapter 25: Performance Monitoring Guide.....	343
Performance Monitoring Overview	343
Configuring the XP for Port Mirroring	345
Monitoring Broadcast Traffic	345
Chapter 26: RMON Configuration Guide.....	347
RMON Overview	347
Memory Allocation Requirements.....	348
Examples.....	348
Configuring and Enabling RMON.....	349
Example of RMON Configuration Commands	349
RMON Groups.....	350
Lite RMON Groups	350
Standard RMON Groups	351
Professional RMON Groups.....	351
Control Tables.....	352
Using RMON	353
Configuring RMON Groups	354
Configuration Examples	355
Displaying RMON Information	357
RMON CLI Filters.....	358
Creating RMON CLI Filters.....	359

Using RMON CLI Filters	359
Troubleshooting RMON	360
Allocating Memory to RMON	361
Chapter 27: NetFlow Configuration Guide.....	363
NetFlow Overview	363
Common NetFlow Applications	363
Usage Accounting.....	364
Traffic Profiling	364
Traffic Engineering.....	364
Attack/Intrusion Detection.....	365
Network Surveillance	365
QoS Monitoring	365
NetFlow Data Warehousing and Mining	366
NetFlow Activation and Data Collection Strategy	366
L4-Bridging.....	366
Multicast Flows	367
Chapter 28: WAN Configuration Guide	369
WAN Overview.....	369
WAN Ports	369
High-Speed Serial Interface (HSSI) and Standard Serial Interfaces.....	369
Configuring WAN Interfaces.....	370
Primary and Secondary Addresses.....	370
Static, Mapped, and Dynamic Peer IP/IPX Addresses	370
Static Addresses	371
Mapped Addresses	371
Dynamic Addresses	371
Forcing Bridged Encapsulation.....	372
Packet Compression	372
Average Packet Size	373
Nature of the Data.....	373
Link Integrity	373
Latency Requirements	373
Example Configurations	374
Packet Encryption	374
WAN Quality of Service.....	374
Source Filtering and ACLs	375
Weighted-Fair Queueing.....	375
Congestion Management	375
Random Early Discard (RED).....	375
Adaptive Shaping	376
Frame Relay Overview.....	376
Virtual Circuits.....	376
Permanent Virtual Circuits (PVCs)	376
Configuring Frame Relay Interfaces for the XP	377
Defining the Type and Location of a Frame Relay and VC Interface	377
Setting up a Frame Relay Service Profile	377

Applying a Service Profile to an Active Frame Relay WAN Port	378
Monitoring Frame Relay WAN Ports	378
Frame Relay Port Configuration	379
Point-to-Point Protocol (PPP) Overview	379
Use of LCP Magic Numbers.....	380
Configuring PPP Interfaces.....	380
Defining the Type and Location of a PPP Interface	381
Setting up a PPP Service Profile.....	381
Applying a Service Profile to an Active PPP Port.....	382
Configuring Multilink PPP Bundles	382
Compression on MLP Bundles or Links	382
Monitoring PPP WAN Ports	383
PPP Port Configuration	383
WAN Configuration Examples	384
Simple Configuration File	384
Multi-Router WAN Configuration	385
Router R1 Configuration File	386
Router R2 Configuration File	386
Router R3 Configuration File	387
Router R4 Configuration File	387
Router R5 Configuration File	388
Router R6 Configuration File	388

Chapter 1

Introduction

This manual provides information for configuring the Enterasys X-Pedition (XP) software. It details the procedures and provides configuration examples. If you have not yet installed the XP, use the instructions in the *XP Getting Started Guide* to install the chassis and perform basic setup tasks, then return to this manual for more detailed configuration information.

What's New

The content of this manual is representative of the features and capabilities found in the 8.2 release. Changes to this manual include the addition of new and extended capabilities for the following:

- Adjusting RSTP parameters on page 45*
- ATM Configuration Guide on page 57*
- Broadcast Monitor on page 315*
- Configuring per-VLAN spanning tree with RSTP enabled on page 49*
- Configuring WAN Interfaces on page 370*
- Limiting Traffic Rate on page 336*
- Mapping a Peer Address to a Virtual Channel on page 66*
- Memory Allocation Requirements on page 348*
- NetFlow Configuration Guide on page 363*
- Port Mirroring on page 317*
- Rate Limiting on page 311*
- Rate Limiting Modes on page 337*
- Software-Based Flow-Aggregate Rate Limiting on page 338*
- PCMCIA Virtual File System (VFS) on page 15*

Related Documentation

The Enterasys X-Pedition documentation set includes the following items. Refer to these other documents to learn more about your product.

For Information About	See
Installing and setting up the XP	<i>XP Getting Started Guide</i>
Syntax for CLI commands	<i>Enterasys X-Pedition Command Line Interface Reference Manual</i>

Document Conventions

Commands shown in this manual use the following conventions:

Convention	Description
boldface	Indicates commands and keywords that you enter as shown.
<i><italics></i>	Indicates arguments for which you supply values.
[x] or [<i><italics></i>] or [x <i><italics></i>]	Keywords and arguments within a set of square brackets are optional.
x y z <i><italics></i> or [x y z <i><italics></i>]	Keywords or arguments separated by vertical bars indicate a choice. Select one keyword or argument.
{ x y z <i><italics></i> }	Braces group required choices. Select one keyword or argument.

Getting Help

For additional support related to the Common CLI syntax or this document, contact Enterasys Networks using one of the following methods:

World Wide Web	http://www.enterasys.com/
Phone	(603) 332-9400
Internet mail	support@enterasys.com
FTP	ftp://ftp.enterasys.com
Login	<i>anonymous</i>

Password *your email address*

To send comments or suggestions concerning this document, contact the Technical Writing Department via the following email address: **TechWriting@enterasys.com**

Please include the document Part Number in the email message.

Before contacting Enterasys Networks, **have the following information ready:**

- Your Enterasys Networks service contract number
- A description of the failure
- A description of any action(s) already taken to resolve the problem (e.g., changing mode switches, rebooting the unit, etc.)
- The serial and revision numbers of all involved Enterasys Networks products in the network
- A description of your network environment (layout, cable type, etc.)
- Network load and frame size at the time of trouble (if known)

Chapter 2

Maintaining Configuration Files

This chapter provides information about configuration files in the Enterasys X-Pedition (XP). It explains the different types of configuration files and the different procedures involved in changing, displaying, saving, and backing up the files.

Configuration Files

The *XP Getting Started Guide* introduced the following configuration files used by the XP:

- **Startup** – The configuration file that the XP uses to configure itself when the system is powered on. The Startup configuration remains even when the system is rebooted.
- **Active** – The commands from the Startup configuration file and any configuration commands that you have made active from the scratchpad. The active configuration remains in effect until you power down or reboot the system.



Caution: The active configuration remains in effect only during the current power cycle. If you power off or reboot the XP without saving the active configuration changes to the Startup configuration file, the changes are lost.

- **Scratchpad** – The configuration commands you have entered during a CLI session. These commands are temporary and do not become active until you explicitly make them part of the active configuration.

Because some commands depend on other commands for successful execution, the XP scratchpad simplifies system configuration by allowing you to enter configuration commands in any order, even when dependencies exist. When you activate the commands in the scratchpad, the XP sorts out the dependencies and executes the command in the proper sequence.

The following figure illustrates the configuration files and the commands you can use to save your configuration:

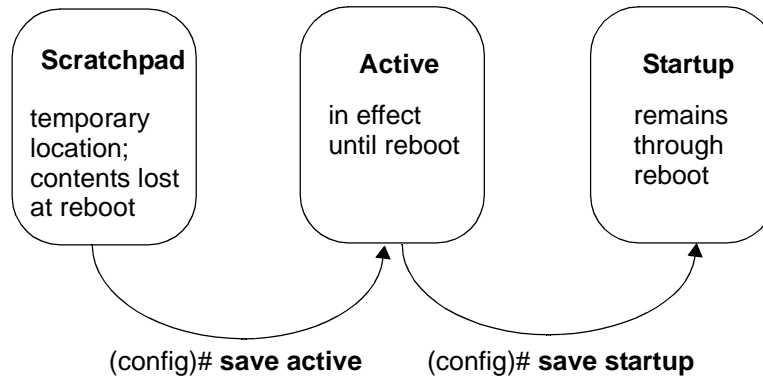


Figure 1. Commands to Save Configurations

Changing Configuration Information

The XP provides many commands for changing configuration information.

Use the **comment** command to deactivate and reactivate commands, and to enter comments in the active configuration file. For example, Spanning Tree Protocol is disabled by default. If, after enabling the Spanning Tree Protocol on the XP, you want to disable STP, specify the **comment out** command with the line number in the active configuration that contains the **stp enable** command. To reactivate STP, specify the **comment in** command.

To enter comments in the configuration file, specify the **comment line** command with the line number and the actual comments. To display the comments in the active configuration file, specify the **show active** command. Comments are displayed with a **C** before the comment. The following example shows a comment entered in line 2 of the active configuration file.

```

xp(config)# comment line 2 "vlan commands"
xp(config)# show active
Running system configuration:
  !
  ! Last modified from Telnet (134.141.173.220) on 2001-04-03 14:19:50
  !
1E: atm create vcl port at.9.1.1.200
  !
2C: !!vlan commands
3 : vlan create VLANA port-based
4 : vlan create VLAN_A port-based
5 : vlan create VLANC ipx
6 : vlan create VLANB ip

```

In addition, use the **negate** command on a specific line of the active configuration to “disable” an enabled feature or function. You can also use the negate command to remove a line of comments.

Table 1. Commands to Change Configuration Information

Task	Command
Enable Mode:	
Copy between scratchpad, active configuration, startup configuration, TFTP server, RCP server, or URL.	copy <source> to <destination>
Configure Mode:	
Comment in (reactivate) the command in the specified line number.	comment in <line number>
Comment out (deactivate) the command in the specified line number.	comment out <line number>
Place comment in specified line number.	comment line <line number> <string>
Move comment from first line number to second line number.	comment move <line number>, <line number>
Erase commands in scratchpad.	erase scratchpad
Erase startup configuration.	erase startup
Negate one or more commands by line numbers.	negate <line number>
Negate commands that match a specified command string.	no <string>

Table 1. Commands to Change Configuration Information

Task	Command
Save scratchpad to active configuration.	save active
Save active configuration to startup.	save startup

Displaying Configuration Information

The following table lists the commands that are useful for displaying the XP's configuration information.

Table 2. Commands to Display Configuration Information

Task	Command
Enable Mode:	
Show active configuration of the system.	system show active
Show the non-activated configuration changes in the scratchpad.	system show scratchpad
Show the startup configuration for the next reboot.	system show startup
Configure Mode:	
Show active configuration of the system.	show active
Show the non-activated configuration changes in the scratchpad.	show scratchpad
Show the startup configuration for the next reboot.	show startup
Show the running system configuration, followed by the non-activated changes in the scratchpad.	show
Compare activated commands with the startup configuration file.	diff <filename> startup

The show and system show commands display the commands in the order they were executed. You can change this sequence to alphabetical order by using the system set show-config command.

Activating the Configuration Changes and Saving the Configuration File

Activating the Configuration Commands in the Scratchpad

The configuration commands you have entered using procedures in this chapter are in the Scratchpad but have not yet been activated. Use the following procedure to activate the configuration commands in the scratchpad.

1. Ensure that you are in Enable mode by entering the **enable** command in the CLI.
2. Ensure that you are in Configure mode by entering the **configure** command in the CLI.
3. Enter the following command:

```
save active
```

The CLI displays the following message:

```
Do you want to make the changes Active? [y]
```

Note: If you attempt to save an empty configuration to the startup file from a Telnet session, you will terminate your connection and the session will end.

4. Type **y** to activate the changes.

Note: If you exit the Configure mode (by entering the **exit** command or pressing Ctrl+Z), the CLI will ask you whether you want to make the changes in the scratchpad active.

Saving the Active Configuration to the Startup Configuration File

After you save the configuration commands in the scratchpad, the control module executes the commands and makes the corresponding configuration changes to the XP. However, if you power off or reboot the XP, the new changes are lost. Use the following procedure to save the changes into the Startup configuration file so that the XP reinstates the changes when you reboot the software.

1. Ensure that you are in Enable mode by entering the **enable** command in the CLI.
2. Enter the following command to copy the configuration changes in the Active configuration to the Startup configuration:

```
copy active to startup
```

3. When the CLI displays the following message, enter **yes** to save the changes.

```
Are you sure you want to overwrite the Startup configuration? [n]
```

Note: You also can save active changes to the Startup configuration file from within Configure mode by entering the **save startup** command.

The new configuration changes are added to the Startup configuration file stored in the control module's boot flash.

Viewing the Current Configuration

If you want to view the current configuration:

1. Ensure that you are in Enable mode by entering the **enable** command in the CLI.
2. Enter the following command to display the status of each command line:

```
system show active-config
```

The CLI displays the active configuration file with the following possible annotations:

- Commands without errors are displayed without any annotation.
- Commands with errors are annotated with an “E.”
- Comments are annotated with a “C.”
- If a particular command has been applied such that it can be expanded on additional interfaces/modules, it is annotated with a “P”. For example, if you enable STP on all ports in the current system, but the XP contains only one module, then the command to enable STP will be applied at a later date when more modules have been added.

A command like **stp enable et.*.*** would be displayed as follows:

```
P: stp enable et.*.*
```

This indicates that it is only partially applied. If you add more modules to the XP at a later date and then update the configuration file to encompass all of the available modules in the XP, then the “P:” portion of the above command line would disappear when this configuration file is displayed.

If a command that was originally configured to encompass all of the available modules on the XP becomes only partially active (after a hotswap or some such chassis reconfiguration), then the status of that command line automatically changes to indicate a partial completion status, complete with “P:”.

Note: Commands with no annotation or annotated with a “P:” are not in error.

Backing up and Restoring the Startup Configuration File

When you save the startup configuration file, the XP stores it in three places: in the bootflash and the PC card of the primary control module, and if there is a redundant control module, in its PC flash card as well.

It is recommended that you store a backup of the startup configuration file in the boot flash of the control module and on a central server.

Use the copy command to store a backup copy of the startup configuration file in the control module, backup control module (if applicable), and on a server:

```
copy startup to backup-CM|ftp-server|repsrver|<filename>|<url>
```

For example, to make a backup in the control module, specify the following command:

```
copy startup to startup.bak
```

Use the file commands to display the configuration files stored in the bootflash of the control module and if necessary, to delete any of these files:

Display a directory of the files in the bootflash or in the PC card.	file dir <device name>
Display the contents of a file in the bootflash.	file type <file-name>
Delete the specified file.	file delete <file-name>

Note: If you attempt to save an empty configuration to the startup file from a Telnet session, you will terminate your connection and the session will end.

If the startup file becomes corrupted, the XP uses its default configuration. You can then use the copy command to copy the backup file to the startup, as shown in the following example:

```
copy startup.bak to startup
```

Backing up and Restoring the System Image

When you boot up the system, the XP boots up the system image off the PC flash card. The PC flash card contains the run-time image (as of 3.1, the PC flash can store up to two images) and the startup configuration file.

It is recommended that a backup of the system image be stored on a central server in the unlikely event that the system image becomes corrupted or deleted from the PC flash card. Use the **system**

set bootprom command in Configure mode to set parameters for the XP to boot the system image remotely over a network.

```
system set bootprom netaddr <IPaddr> netmask <IP netmask> tftp-server <IPaddr> tftp-gateway <IPaddr>
```

If the XP boots up from the PC flash card and cannot find a valid image, it goes into boot prom mode. If the en0 interface is configured and connected to a network, you can download an image to the PC flash by using the **system image add** command in Enable mode. If the en0 interface has not been configured, then you will need to configure it by specifying the following: IP address and netmask of the XP, IP address of the TFTP server, and IP address of the default gateway. Use the following command in boot mode:

```
set net-addr <IP-address>
set netmask <netmask>
set boot-addr <tftp-server address>
set gateway <IP-address of default gateway>
```

Then, boot the XP by specifying the following command:

```
boot <directory/filename of the image file to boot from>
```

Alternatively, you can use the set boot source command:

```
set boot source <filename>
```

Once the XP has booted from the TFTP server image through en0, you can add the new image to the PC card by using the **system image add** command.

Additionally, you can use the following commands to display, add, and delete system images:

Copy a system software image to the XP.	system image add <IPaddr-or-hostname> <filename> [primary-cm] [backup-cm]
Select a system software image.	system image choose <filename> primary-cm backup-cm none
List system software images on the PC flash card.	system image list primary-cm backup-cm all
Delete a system software image file from the PC flash card.	system image delete <filename> primary-cm backup-cm

Configuring System Settings

In addition to the initial settings described in the *Getting Started Guide*, there are additional system features you can set on the XP.

Setting Daylight Saving Time

You can set daylight saving time (DST) on the XP in three different ways:

- According to specific days. For example, from the first Sunday of April to the last Saturday of October.
- According to specific dates. For example, from April 1st to October 31st.
- By setting the XP's time forward by an hour.

When you specify the **system set dst-changing** command or the **system set dst-fixed** command in the active configuration file, the XP automatically updates the time based on the parameters you enter. When a time change occurs, the XP automatically sends an informational message about the change. Enter one of the following commands in Configure mode to set DST according to specific days or dates:

Set DST according to specific days.	<code>system set dst-changing s_wk <value> s_dow <value> s_mo <value> s_hr <value> s_min <value> e_wk <value> e_dow <value> e_mo <value> e_hr <value> e_min <value></code>
Set DST according to specific dates.	<code>system set dst-fixed s_mo <value> s_day <value> s_hr <value> s_min <value> e_mo <value> e_day <value> e_hr <value> e_min <value></code>

When you set DST by setting the time forward by an hour, saving it to the active configuration file automatically activates the command and causes the time to move forward one hour. Use the **negate** command to set the time back. Enter the following command in Configure mode to move the time forward by an hour:

Set the time forward by one hour.	<code>system set dst-manual</code>
-----------------------------------	------------------------------------

Configuring a Log-in Banner

Configure the XP to display a banner when it is booted up. You can specify a text string or the name of a file on a TFTP server.

Display a log-in banner.	<code>system set login banner [<string> none file-name <name></code>
--------------------------	--

Chapter 3

Virtual File Systems

This chapter provides information about the Virtual File Systems used on the PCMCIA Flash Module.

PCMCIA Virtual File System (VFS)

The Virtual File System is used to format the PCMCIA Flash Module in such a way that the module can organize and store files, and enable you to change Boot and System Firmware images on the module. Enterasys refers to the original virtual file system as VFS1. With Boot Firmware version 1.1.0.8 and System Firmware version 3.0.0.6, Enterasys introduced a second virtual file system (VFS2) to improve system performance and stability. Under typical conditions, VFS1 requires 10-20 minutes to add or delete a System Firmware image—with VFS2, this operation requires a fraction of that time. Because of the myriad of possible network configurations, you may require one VFS over another; the XP allows you to switch between VFS1 and VFS2. The following table illustrates firmware and VFS version compatibility.

Firmware Version	Supports VFS1	Supports VFS2
Boot Firmware version 1.0.0.0 and up	YES	NO
Boot Firmware version 1.1.0.8 and up	YES	YES
System Firmware version 1.0.0.0 and up	YES	NO
System Firmware version 3.0.0.6 and up	YES	YES

Note: Moving between VFS1 and VFS2 does not alter files stored on the PCMCIA module.

Changing the Virtual File System

When you move to another VFS, the files stored on the PCMCIA Flash Module will not change. Before you change to another VFS, perform the following actions:

3. Reboot the XP. During the Boot Firmware initialization, press the Escape key to stop the System Firmware from booting. (Typically, the Boot Firmware waits two seconds for user interruption before starting to boot the System Firmware.)
4. To display the current VFS version on the PCMCIA module, enter the following command:

```
xp-boot> pcshowversion
```

5. At the Boot Firmware's CLI prompt, enter the following to change from VFS1 to VFS2:

```
xp-boot> pcmakeversion2
```

To convert VFS2 to VFS1, enter the following command:

```
xp-boot> pcmakeversion1
```

Chapter 4

Using the CLI

This chapter provides information about the XP's Command Line Interface (CLI). The XP provides a command line interface (CLI) to configure and manage the XP. In this manual, example configurations show how to use the CLI commands to configure the XP.

CLI commands are grouped by subsystems. For example, the set of commands that let you configure and display IP routing table information all start with **ip**. Within the set of **ip** commands are commands such as **set**, **show**, **start**, **stop**, **configure**, etc. The complete set of commands for each subsystem is described in the *Enterasys X-Pedition Command Line Interface Reference Manual*.

Command Modes

The CLI provides access to four different command modes. Each command mode provides a group of related commands. This section describes how to access and list the commands available in each command mode and explains the primary uses for each command mode.

User Mode

After you log in to the XP, you are automatically in User mode. The User commands available are a subset of those available in Enable mode. In general, the User commands allow you to display basic information and use basic utilities such as ping.

The User mode command prompt consists of the XP name followed by the angle bracket (>), as shown below:

```
xp>
```

The default name is XP unless it has been changed during initial configuration. Refer to the *XP Getting Started Guide* for the procedures for changing the system name.

Enable Mode

Enable mode provides more facilities than User mode. You can display critical features within Enable mode including router configuration, access control lists, and SNMP statistics. To enter Enable mode from the User mode, enter the command **enable** (or **en**), then supply the password when prompted. If no password is configured, a warning message advising you to configure a password is displayed. If a password is configured and you do not know your password or pressing Return does not work, see the administrator for the XP.

The Enable mode command prompt consists of the XP name followed by the pound sign(#):

```
xp#
```

To exit Enable mode and return to User mode, either type **exit** and press Return, or press Ctrl+Z.

Configure Mode

Configure mode provides the capabilities to configure all features and functions on the XP. These include router configuration, access control lists and spanning tree. To enter Configure mode, enter the command **config** from Enable mode.

Note: As mentioned previously, up to four Telnet sessions can be run simultaneously on the XP. All four sessions can be in Configure mode at the same time, so you should consider limiting access to the XP to authorized users.

The Configure mode command prompt consists of the XP name followed by (**config**) and a pound sign (#):

```
xp(config)#
```

To exit Configure mode and return to Enable mode, either type **exit** and press Return, or press Ctrl+Z.

Boot PROM Mode

If your XP does not find a valid system image on the external PC flash, the system might enter programmable read-only memory (PROM) mode. If the system is in PROM mode, you should reboot the XP (enter the command **reboot** at the boot PROM prompt) to restart the system. If the system fails to reboot successfully, please call Enterasys Networks Technical Support to resolve the problem.

For information on how to upgrade the boot PROM software and boot using an upgraded image, see the *XP Getting Started Guide*.

Native and Common CLI Modes

The XP supports two standard interfaces—the Native CLI and the Common CLI. Each mode contains specific commands that are accessible only from within the particular mode. To switch between modes, enter one of the following commands.

Native to Common

```
xp> cli set common
```

Common to native (Firmware version E8.2.0.0 and newer)

```
xp> terminal cli native
```

Common to native (Firmware versions E8.1.x.x and earlier)

```
xp> terminal cli ssr
```

Establishing Telnet Sessions

You can establish a management connection to the XP by connecting a terminal to the management port of the XP and by establishing a telnet connection to a remote host. To establish a telnet connection, connect your network to the 10/100 MDI port on the XP.

Note: When the router is busy, the XP may not be able to establish a Telnet connection.

The XP allows up to four simultaneous telnet sessions. There are commands that allow you to monitor telnet use and to end a specific telnet session. You can also specify the number of minutes a serial or telnet connection can remain idle before the connection is terminated by the control module. The default is 5 minutes. You can disable this feature, by setting the time-out value to zero.

Display the last five connections to the XP.	system show telnet-access
Specify time-out value for a serial or telnet connection.	system set idle-time-out serial telnet <num>
End the specified telnet session.	system kill telnet-session <session-id>

Additionally, you can telnet to another XP during a CLI session. To start a telnet session to another XP, enter the following command in User or Enable mode.

Open a telnet session to another XP.	telnet <hostname-or-IPaddr> [socket <socket-number>]
--------------------------------------	---

To end your telnet session, simply type “exit.”

Setting CLI Parameters

The XP provides various commands for controlling the behavior and display of the CLI. The **cli set command completion** command controls the behavior of the CLI when you enter commands. When you turn on command completion, the CLI attempts to automatically complete a command that is partially entered. Typing enough characters of a command keyword to uniquely identify it and pressing the space bar to move to the next word causes the CLI to complete the command word and move on.

To set command completion, enter the following command in either Configure mode or Enable mode. In Configure mode, the command turns on or off command completion for the entire system. In Enable mode, the command affects the current login session of the user issuing the command.

Turn on or turn off command completion.	cli set command completion on off
---	--

The **cli set history** command specifies the number of commands that will be stored in the command history buffer. Commands stored in the buffer can be recalled without having to type the complete command again. When you hit the ↑ key, the CLI displays the commands that were entered, from the most recent. To specify the number of commands stored in the command history buffer, enter the following command in User or Configure mode.

Set the size of the command history buffer.	cli set history size <num> default maxsize
---	---

Alternatively, you can display all the commands that were executed during a CLI session. To display the CLI commands, enter the following command in User mode.

Display command history.	cli show history
--------------------------	------------------

The CLI also provides commands for setting the terminal display. Use the following commands to set and display terminal settings.

Task	Command
User Mode	
Set the terminal display.	cli set terminal rows <num> columns <num>
Display terminal settings.	cli show terminal
Enable Mode	
Display system messages.	cli terminal monitor on off

Getting Help with CLI Commands

Interactive help is available from CLI by entering the question mark (?) character at any time. The help is context-sensitive; the help provided is based on where in the command you are. For example, if you are at the User mode prompt, enter a question mark (?) as shown in the following example to list the commands available in User mode:

xp> ?	
aging	- Show L2 and L3 Aging information
cli	- Modify the command line interface behavior
dvmrp	- Show DVMRP related parameters
enable	- Enable privileged user mode
exit	- Exit current mode

file	- File manipulation commands
help	- Describe online help facility
igmp	- Show IGMP related parameters
ip-redundancy	- Show IP Redundancy information (VRRP)
ipx	- Show IPX related parameters
l2-tables	- Show L2 Tables information
logout	- Log off the system
multicast	- Configure Multicast related parameters
ping	- Ping utility
pvst	- Show Per Vlan Spanning Tree Protocol (PVST)
	parameters
sfs	- Show SecureFast Switching (SFS) parameters
statistics	- Show or clear XP statistics
stp	- Show STP status
telnet	- Telnet utility
traceroute	- Traceroute utility
vlan	- Show VLAN-related parameters

You can also type the ? character while entering in a command line to see a description of the parameters or options that you can enter. Once the help information is displayed, the command line is redisplayed as before but without the ? character. The following is an example of invoking help while entering a command:

```
xp(config)# load-balance create ?
group-name      - Name of this Load Balanced group of servers
vip-range-name  - Name of this Virtual IP range
xp(config)# load-balance create
```

If you enter enough characters of a command keyword to uniquely identify it and press the space bar, the CLI attempts to complete the command. If you do not enter enough characters or you enter the wrong characters, CLI cannot complete the command. For example, if you enter the following in Enable mode and press the spacebar as indicated:

```
xp# system show e[space]
```

CLI completes the command as follows:

```
xp# system show environmental
```

If you are entering several commands for the same subsystem, you can enter the subsystem name from the CLI. Then, execute individual commands for the subsystem without typing the subsystem name in each time. For example, if you are configuring several entries for the IP routing table, you can simply enter **ip** at the CLI Configure prompt and click enter. The prompt changes to indicate that the context for the commands to be entered has changed to that of the IP subsystem. If you type a **?**, only those commands that are valid for the IP subsystem are displayed. The following is an example:

```

xp(config)# ip
xp(config)(ip)# ?
add          - Add a static route
dos          - Configure specific denial of service features
disable      - Disable certain IP function
enable       - Enable certain IP function
helper-address - Specify IP helper address for an interface
l3-hash      - Change IP hash variant for channel
set          - Set ip stack properties
Ctrl-z       - Exits to previous level
top          - Exits to the top level
xp(config)(ip)# [Ctrl-Z]
xp(config)#

```

Line Editing Commands

The XP provides line editing capabilities that are similar to Emacs, a Unix text editor. For example, you can use certain line editing keystrokes to move forward or backward on a line, delete or transpose characters, and delete portions of a line. To use the line editing commands, you need to have a VT-100 terminal or terminal emulator. The line editing commands that you can use with CLI are detailed in [Table 3](#).

Table 3. CLI Line Editing Commands

Command	Resulting Action
Ctrl-a	Move to beginning of line
Ctrl-b	Move back one character
Ctrl-c	Abort current line
Ctrl-d	Delete character under cursor
Ctrl-e	Move to end of line
Ctrl-f	Move forward one character
Ctrl-g	Abort current line
Ctrl-h	Delete character just prior to the cursor
Ctrl-i	Insert one space (tab substitution)

Table 3. CLI Line Editing Commands

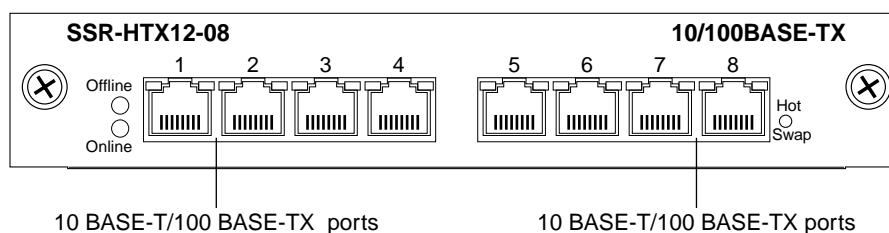
Command	Resulting Action
Ctrl-j	Carriage return (executes command)
Ctrl-k	Kill line from cursor to end of line
Ctrl-l	Refresh current line
Ctrl-m	Carriage return (executes command)
Ctrl-n	Next command from history buffer
Ctrl-o	None
Ctrl-p	Previous command from history buffer
Ctrl-q	None
Ctrl-r	Refresh current line
Ctrl-s	None
Ctrl-t	Transpose character under cursor with the character just prior to the cursor
Ctrl-u	Delete line from the beginning of line to cursor
Ctrl-v	None
Ctrl-w	None
Ctrl-x	Move forward one word
Ctrl-y	Paste back what was deleted by the previous Ctrl-k or Ctrl-w command. Text is pasted back at the cursor location
Ctrl-z	If inside a subsystem, it exits back to the top level. If in Enable mode, it exits back to User mode. If in Configure mode, it exits back to Enable mode.
ESC-b	Move backward one word
ESC-d	Kill word from cursor's current location until the first white space.
ESC-f	Move forward one word
ESC-BackSpace	Delete backwards from cursor to the previous space (essentially a delete-word-backward command)
SPACE	Attempts to complete command keyword. If word is not expected to be a keyword, the space character is inserted.
!*	Show all commands currently stored in the history buffer.
!#	Recall a specific history command. '#' is the number of the history command to be recalled as shown via the '!*' command.

Table 3. CLI Line Editing Commands

Command	Resulting Action
"<string>"	Opaque strings may be specified using double quotes. This prevents interpretation of otherwise special CLI characters.

Port Names

The term *port* refers to a physical connector on a line card installed in the XP. The figure below shows eight 10 Base-T/100 Base-TX ports on a line card.



In the CLI, each port in the XP is referred to in the following manner:

```
<type>.<slot-number>.<port-number>
```

where:

<type> is the type of line card and can be one of the following:

- at** ATM line card
- et** 10 Base-X/100 Base-X Ethernet line card
- gi** 1000 Base-X Gigabit Ethernet line card
- hs** Dual HSSI WAN line card
- se** Serial WAN line card
- so** Packet-over-SONET line card

<slot-number> is determined by the XP model and the physical slot in which the line card is installed. On the XP-2000, the slot number is printed on the side of each slot. On the XP-8000 and XP-8600, a legend printed on the fan tray shows the slot number of each slot.

<port-number> is the number assigned to the connector on the line card. The range and assignment of port numbers varies by the type of line card. The assignment of port numbers by line card is shown in the table below:

Table 4. Port Numbers for Line Cards

Line Card	Port Number Arrangement (Left to Right)
10/100 Base TX	1 2 3 4 5 6 7 8
100 Base FX	3 4 7 8 1 2 5 6
1000 Base SX/LX	1 2
1000 Base LLX	1
Quad Serial WAN	1, 2 3, 4
HSSI WAN	1 2
SONET (OC-3c)	1 2 3 4
SONET (OC-12c)	1 2
ATM (OC-3)	1 2
16-slot 100 Base TX	5 6 7 8 13 14 15 16 1 2 3 4 9 10 11 12

For example, the port name et.2.8 refers to the port on the Ethernet line card located in slot 2, connector 8, while the port name gi.3.2 refers to the port on the Gigabit Ethernet line card located in slot 3, connector 2.

There are a few shortcut notations you can use to reference a range of port numbers. For example:

- et.(1-3).(1-8) references all the following ports: et.1.1 through et.1.8, et.2.1 through et.2.8, and et.3.1 through et.3.8.
- et.(1,3).(1-8) references the following ports: et.1.1 through et.1.8, and et.3.1 through et.3.8
- et.(1-3).(1,8) references the following ports: et.1.1, et.1.8, et.2.1, et.2.8, et.3.1, et.3.8

Chapter 5

Hot Swapping Line Cards and Control Modules

Hot Swapping Overview

Hot swapping is the ability to replace a line card, Control Module, or GBIC (in the ER16 only) while the XP is operating. Hot swapping allows you to remove or install line cards without switching off or rebooting the XP. Swapped-in line cards are recognized by the XP and begin functioning immediately after they are installed.

On the XP-8000 and XP-8600, you can hot swap line cards and secondary control modules. On the XP-8600, you can also hot swap the secondary switching fabric module. On the ER16, you can hot swap the GBICs, in addition to the line cards and secondary control modules.

WARNING Take appropriate care when removing line cards from the XP. They may be hot to the touch.

WARNING The XP and its components are sensitive to static discharge. Use an antistatic wrist strap and observe all static precautions when hot swapping the XP's components.

This chapter provides instructions for the following tasks:

- Hot swapping line cards
- Hot swapping secondary Control Modules
- Hot swapping the secondary Switching Fabric Module (XP-8600 only)
- Hot swapping the GBIC (ER16 only)

Hot Swapping Line Cards

The procedure for hot swapping a line card consists of deactivating the line card, removing it from its slot in the XP chassis, and installing a new line card in the slot.

Deactivating the Line Card

To deactivate the line card, do one of the following:

- Press the Hot Swap button on the line card. The Hot Swap button is recessed in the line card's front panel. Use a pen or similar object to reach it.

When you press the Hot Swap button, the Offline LED lights. [Figure 2](#) shows the location of the Offline LED and Hot Swap button on a 1000Base-SX line card.

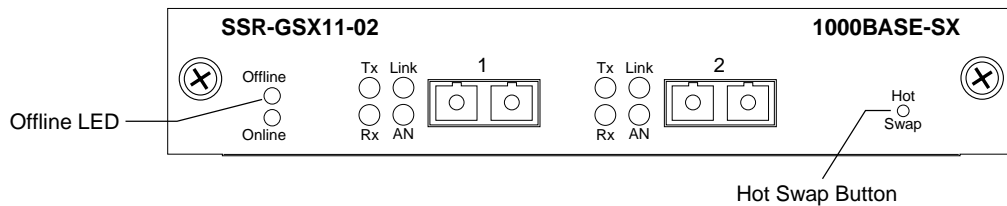


Figure 2. Location of Offline LED and Hot Swap Button on a 1000Base-SX Line Card

- Use the **system hotswap out** command in the CLI. For example, to deactivate the line card in slot 7, enter the following command in Enable mode:

```
xp# system hotswap out slot 7
```

After you enter this command, the Offline LED on the line card lights, and messages appear on the console indicating the ports on the line card are inoperative.

Note: If you have deactivated a line card and want to activate it again, simply pull it from its slot and push it back in again. (Make sure the Offline LED is lit before you pull out the line card.) The line card is activated automatically.

Alternately, if you have not removed a line card you deactivated with the **system hotswap out** command, you can reactivate it with the **system hotswap in** command. For example, to reactivate a line card in slot 7, enter the following command in Enable mode:

```
xp# system hotswap in slot 7
```

Removing the Line Card

To remove a line card from the XP:

1. Make sure the Offline LED on the line card is lit.



Warning: Do not remove the line card unless the Offline LED is lit. Doing so can cause the XP to crash.

2. Loosen the captive screws on each side of the line card.
3. Carefully remove the line card from its slot in the XP chassis.

Installing a New Line Card

To install a new line card:

1. Slide the line card all the way into the slot, firmly but gently pressing the line card fully in place to ensure that the pins on the back of the line card are completely seated in the backplane.

Note: Make sure the circuit card (and not the metal plate) is between the card guides. Check both the upper and lower tracks.

2. Tighten the captive screws on each side of the line card to secure it to the chassis.

Once the line card is installed, the XP recognizes and activates it. The Online LED button lights.

Hot Swapping One Type of Line Card With Another

You can hot swap one type of line card with another type. For example, you can replace a 10/100Base-TX line card with a 1000Base-SX line card. The XP can be configured to accommodate whichever line card is installed in the slot. When one line card is installed, configuration statements for that line card are used; when you remove the line card from the slot and replace it with a different type, configuration statements for the new line card take effect.

To set this up, you must include configuration statements for *both* line cards in the XP configuration file. The XP determines which line card is installed in the slot and uses the appropriate configuration statements.

For example, you may have an XP with a 10/100Base-TX line card in slot 7 and want to hot swap it with a 1000Base-SX line card. If you include statements for both line cards in the XP configuration file, the statements for the 1000Base-SX take effect immediately after you install it in slot 7.

Hot Swapping a Secondary Control Module

If you have a secondary Control Module installed on the XP, you can hot swap it with another Control Module or line card.



Warning: You can only hot swap an *inactive* Control Module. You should never remove the active Control Module from the XP. Doing so will crash the system.

The procedure for hot swapping a Control Module is similar to the procedure for hot swapping a line card. You must deactivate the Control Module, remove it from the XP, and insert another Control Module or line card in the slot.

Deactivating the Control Module

To deactivate the Control Module:

1. Determine which is the secondary Control Module.

Control Modules can reside in slot CM or slot CM/1 on the XP. Usually slot CM contains the primary Control Module, and slot CM/1 contains the secondary Control Module. On the primary Control Module, the Online LED is lit, and on the secondary Control Module, the Offline LED is lit.

Note: The Offline LED on the Control Module has a different function from the Offline LED on a line card. On a line card, it means that the line card has been deactivated. On a Control Module, a lit Offline LED means that it is standing by to take over as the primary Control Module if necessary; it does *not* mean that the Control Module has been deactivated.

2. Press the Hot Swap button on the secondary Control Module.

When you press the Hot Swap button, *all* the LEDs on the Control Module (including the Offline LED) are *deactivated*. Figure 3 shows the location of the Offline LED and Hot Swap button on a Control Module.

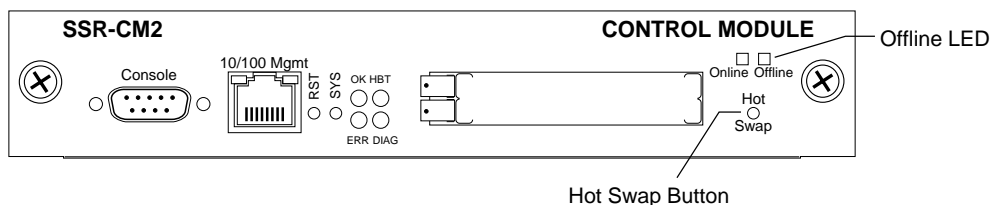


Figure 3. Location of Offline LED and Hot Swap Button on a Control Module

You can also use the **system hotswap out** command in the CLI to deactivate the Control Module. For example, to deactivate the secondary Control Module in slot CM/1, enter the following command in Enable mode:

```
xp# system hotswap out slot 1
```

After you enter this command, the Offline LED on the Control Module turns off (the LED remains lit when the module is on standby) and messages appear on the console indicating that the Control Module is inoperative.

Note: If you have deactivated a command module and want to activate it again, simply pull it from its slot and push it back in again. (Make sure the Offline LED is off before you pull out the module.) The module is activated automatically.

If you have not removed the control module you deactivated with the **system hotswap out** command, you can reactivate it with the **system hotswap in** command. :

```
xp# system hotswap in slot 1
```

Removing the Control Module

To remove a Control Module from the XP:

1. Make sure that *none* of the LEDs on the Control Module are lit.
2. Loosen the captive screws on each side of the Control Module.
3. Carefully remove the Control Module from its slot in the XP chassis.

Installing a Control Module

To install a new Control Module or line card into the slot:

Note: You can install either a line card or a Control Module in slot CM/1, but you can install *only* a Control Module in slot CM.

1. Slide the Control Module or line card all the way into the slot, firmly but gently pressing it in place to ensure that the pins on the back of the card are completely seated in the backplane.

Note: Make sure the circuit card (and not the metal plate) is between the card guides. Check both the upper and lower tracks.

2. Tighten the captive screws on each side of the Control Module or line card to secure it to the chassis.

On a primary Control Module, the Online LED lights and the module becomes active. On a secondary Control Module, the Offline LED lights, indicating that the module is on standby, ready to take over as the primary Control Module if necessary.

Hot Swapping a Switching Fabric Module (XP-8600 only)

The XP-8600 has slots for two Switching Fabric Modules. While the XP-8600 is operating, you can install a second Switching Fabric Module. If two Switching Fabric Modules are installed, you can hot swap one of them. When you remove one of the Switching Fabric Modules, the other goes online and stays online until it is removed or the XP-8600 is powered off. When the XP-8600 is powered on again, the Switching Fabric Module in slot “Fabric 1,” if one is installed there, becomes the active Switching Fabric Module.



Warning: You can only hot swap a Switching Fabric Module if two are installed on the XP-8600. If only one Switching Fabric Module is installed, and you remove it, the XP-8600 will crash.

The procedure for hot swapping a Switching Fabric Module is similar to the procedure for hot swapping a line card or Control Module. You deactivate the Switching Fabric Module, remove it from the XP, and insert another Switching Fabric Module in the slot.

Note: You cannot deactivate the Switching Fabric Module with the **system hotswap** command.

To deactivate the Switching Fabric Module:

- Press the Hot Swap button on the Switching Fabric Module you want to deactivate. The Online LED goes out and the Offline LED lights. [Figure 4](#) shows the location of the Offline LED and Hot Swap button on a Switching Fabric Module.

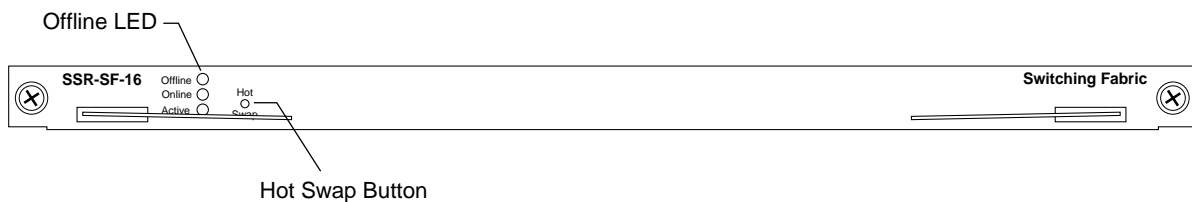


Figure 4. Location of Offline LED and Hot Swap Button on a Switching Fabric Module

Removing the Switching Fabric Module

To remove the Switching Fabric Module:

1. Loosen the captive screws on each side of the Switching Fabric Module.
2. Pull the metal tabs on the Switching Fabric Module to free it from the connectors holding it in place in the chassis.
3. Carefully remove the Switching Fabric Module from its slot.

Installing a Switching Fabric Module

To install a Switching Fabric Module:

1. Slide the Switching Fabric Module all the way into the slot, firmly but gently pressing to ensure that the pins on the back of the module are completely seated in the backplane.

Note: Make sure the circuit card (and not the metal plate) is between the card guides. Check both the upper and lower tracks.

2. Tighten the captive screws on each side of the Switching Fabric Module to secure it to the chassis.
3. When you install or reseal a Switching Fabric Module, use the following command (in Enable mode) to ensure proper seating and to avoid loop-back failure:

```
xp# system show switching-fabric
```

If the Primary Switch Fabric Module is seated properly, the following message will appear:

```
xp# Switching Fabric: Present, Active
```

If the Secondary Switch Fabric Module is seated properly, the following message will appear:

```
xp# Switching Fabric: Present, Standby
```

Hot Swapping a GBIC (ER16 only)

The Gigabit Ethernet line cards have slots for GBICs that can be installed at any time. You can hot swap the GBICs installed in the line cards, as well as the line cards themselves. (For information on hot swapping line cards, see *Hot Swapping Line Cards* on page 28.)

WARNING The GBIC and the host gigabit Ethernet line cards are sensitive to static discharge. Use an antistatic wrist strap and observe all static precautions when you remove or install a GBIC. Failure to do so could result in damage to the GBIC and the host line card. Always leave the GBIC in the antistatic bag or an equivalent antistatic container until it is ready to be installed.

Removing a GBIC from the Line Card

To remove a GBIC from its slot on the line card:

1. Remove any cables connected to the GBIC.
2. Locate the extractor tabs on either side of the GBIC.
3. Using thumb and forefinger, compress the extractor tabs on both sides of the GBIC and pull it out of the line card. See [Figure 5 on page 34](#).

4. If storing or shipping the GBIC, insert the rubber dust protector into the GBIC to protect the fiber ports.

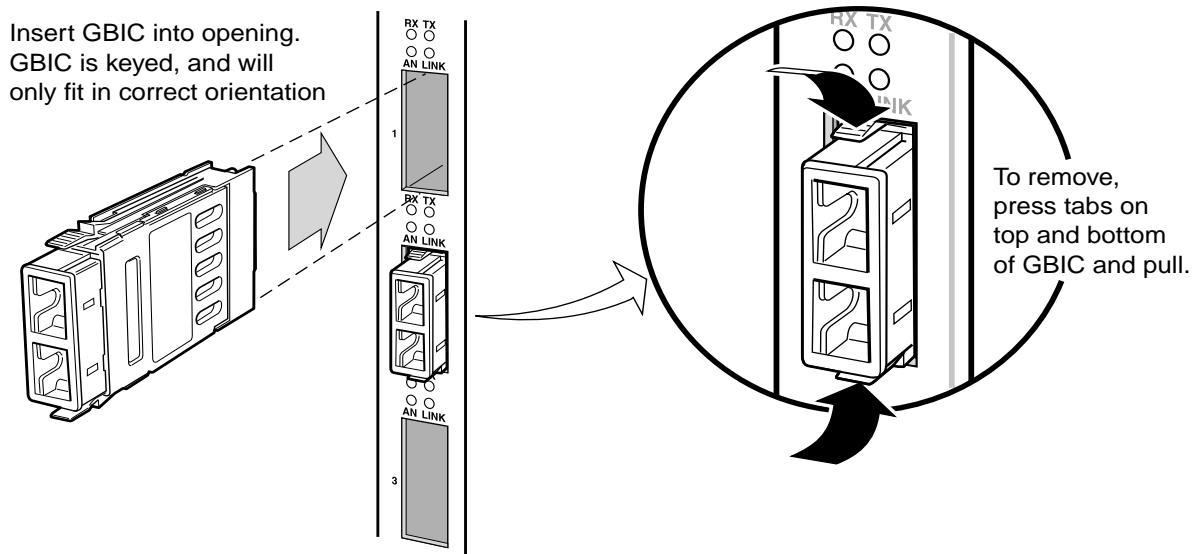


Figure 5. Installing and removing a GBIC.

Installing a GBIC into the Line Card

Install the GBIC into the line card as follows:

1. Hold the GBIC with the network port facing away from the line card. The 20-pin connector should be facing toward the empty GBIC slot of the line card.
2. The alignment slot on the GBIC must line up with the alignment guides inside the GBIC slot. The top of the GBIC must be next to the hinged side of the GBIC slot door of the line card.
3. Gently insert the GBIC module into the GBIC slot opening in the line card. The GBIC door on the line card folds in and the hinges engage the alignment slots on the sides of the GBIC module.

Note: If the GBIC module does not go in easily, do not force it. If the GBIC is not oriented properly, it will stop about one quarter of the way into the slot and it should not be forced any further. Remove and reorient the GBIC module so that it slides easily into the slot.

4. Push the GBIC module in until the connector engages the 20-pin port. The GBIC is now installed.

Chapter 6

Bridging Configuration Guide

Bridging Overview

The Enterasys X-Pedition provides the following bridging functions:

- Compliance with the IEEE 802.1D standard and IEEE 802.1w draft standard
- Compliance with the IGMP multicast bridging standard
- Wire-speed address-based bridging or flow-based bridging
- Ability to logically segment a transparently bridged network into virtual local-area networks (VLANs), based on physical ports or protocol (IP or IPX or bridged protocols like Appletalk)
- Frame filtering based on MAC address for bridged and multicast traffic
- Integrated routing and bridging, which supports bridging of intra-VLAN traffic and routing of inter-VLAN traffic

Spanning Tree (IEEE 802.1D & IEEE 802.1w)

Spanning tree (IEEE 802.1D) allows bridges to dynamically discover a subset of the topology that is loop-free. The loop-free tree that is discovered contains paths to every LAN segment. In addition, the XP supports the Rapid Spanning Tree Protocol defined in IEEE 802.1w which allows the network topology to reconverge in a significantly smaller amount of time.

Bridging Modes (Flow-Based and Address-Based)

The XP provides the following types of wire-speed bridging:

Address-based bridging - The XP performs this type of bridging by looking up the destination address in an L2 lookup table on the line card that receives the bridge packet from the network. The L2 lookup table indicates the exit port(s) for the bridged packet. If the packet is addressed to the XP's own MAC address, the packet is routed rather than bridged.

Flow-based bridging - The XP performs this type of bridging by looking up an entry in the L2 lookup table containing both the source and destination addresses of the received packet in order to determine how the packet is to be handled.

The XP ports perform address-based bridging by default but can be configured to perform flow-based bridging instead, on a per-port basis. A port cannot be configured to perform both types of bridging at the same time.

The XP performance is equivalent when performing flow-based bridging or address-based bridging. However, address-based bridging is more efficient because it requires fewer table entries while flow-based bridging provides tighter management and control over bridged traffic.

VLAN Overview

Virtual LANs (VLANs) are a means of dividing a physical network into several logical (virtual) LANs. The division can be done on the basis of various criteria, giving rise to different types of VLANs. For example, the simplest type of VLAN is the port-based VLAN. Port-based VLANs divide a network into a number of VLANs by assigning a VLAN to each port of a switching device. Then, any traffic received on a given port of a switch *belongs* to the VLAN associated with that port.

VLANs are primarily used for broadcast containment. A layer-2 (L2) broadcast frame is normally transmitted all over a bridged network. By dividing the network into VLANs, the *range* of a broadcast is limited, i.e., the broadcast frame is transmitted only to the VLAN to which it belongs. This reduces the broadcast traffic on a network by an appreciable factor.

The type of VLAN depends upon one criterion: how a received frame is classified as belonging to a particular VLAN. VLANs can be categorized into the following types:

- Port based
- MAC address based
- Protocol based
- Subnet based
- Multicast based
- Policy based

Detailed information about these types of VLANs is beyond the scope of this manual. Each type of VLAN is briefly explained in the following subsections.

Port-based VLANs

Ports of L2 devices (switches, bridges) are assigned to VLANs. Any traffic received by a port is classified as belonging to the VLAN to which the port belongs. For example, if ports 1, 2, and 3 belong to the VLAN named “Marketing”, then a broadcast frame received by port 1 is transmitted on ports 2 and 3. It is not transmitted on any other port.

MAC-address-based VLANs

In this type of VLAN, each switch (or a central VLAN information server) keeps track of all MAC addresses in a network and maps them to VLANs based on information configured by the network administrator. When a frame is received at a port, its destination MAC address is looked up in the VLAN database. The VLAN database returns the name of the VLAN to which this frame belongs.

This type of VLAN is powerful in the sense that network devices such as printers and workstations can be moved anywhere in the network without the need for network reconfiguration. However, the administration is intensive because all MAC addresses on the network need to be known and configured.

Protocol-based VLANs

Protocol-based VLANs divide the physical network into logical VLANs based on protocol. When a frame is received at a port, its VLAN is determined by the protocol of the packet. For example, there could be separate VLANs for IP, IPX and Appletalk. An IP broadcast frame will only be sent to all ports in the IP VLAN.

Subnet-based VLANs

Subnet-based VLANs are a subset of protocol based VLANs and determine the VLAN of a frame based on the subnet to which the frame belongs. To do this, the switch must look into the network layer header of the incoming frame. This type of VLAN behaves similar to a router by segregating different subnets into different broadcast domains.

Multicast-based VLANs

Multicast-based VLANs are created dynamically for multicast groups. Typically, each multicast group corresponds to a different VLAN. This ensures that multicast frames are received only by those ports that are connected to members of the appropriate multicast group.

Policy-based VLANs

Policy-based VLANs are the most general definition of VLANs. Each incoming (untagged) frame is looked up in a policy database, which determines the VLAN to which the frame belongs. For

example, you could set up a policy which creates a special VLAN for all E-mail traffic between the management officers of a company, so that this traffic will not be seen anywhere else.

XP VLAN Support

The XP supports:

- Port-based VLANs
- Protocol-based VLANs
- Subnet-based VLANs

When using the XP as an L2 bridge/switch, use the port-based and protocol-based VLAN types. When using the XP as a combined switch and router, use the subnet-based VLANs in addition to port-based and protocol-based VLANs. It is not necessary to remember the types of VLANs in order to configure the XP, as seen in the section on configuring the XP.

VLANs and the XP

VLANs are an integral part of the XP family of switching routers. The XP switching routers can function as layer-2 (L2) switches as well as fully-functional layer-3 (L3) routers. Hence they can be viewed as a switch and a router in one box. To provide maximum performance and functionality, the L2 and L3 aspects of the XP switching routers are tightly coupled.

The XP can be used purely as an L2 switch. Frames arriving at any port are bridged and not routed. In this case, setting up VLANs and associating ports with VLANs is all that is required. You can set up the XP switching router to use port-based VLANs, protocol-based VLANs, or a mixture of the two types.

The XP can also be used purely as a router, i.e., each physical port of the XP is a separate routing interface. Packets received at any interface are routed and not bridged. In this case, no VLAN configuration is required. Note that VLANs are still created implicitly by the XP as a result of creating L3 interfaces for IP and/or IPX. However, these implicit VLANs do not need to be created or configured manually. The implicit VLANs created by the XP are subnet-based VLANs.

Most commonly, an XP is used as a combined switch and router. For example, it may be connected to two subnets S1 and S2. Ports 1-8 belong to S1 and ports 9-16 belong to S2. The required behavior of the XP is that intra-subnet frames be bridged and inter-subnet packets be routed. In other words, traffic between two workstations that belong to the same subnet should be bridged, and traffic between two workstations that belong to different subnets should be routed.

The XP switching routers use VLANs to achieve this behavior. This means that a L3 subnet (i.e., an IP or IPX subnet) is mapped to a VLAN. A given subnet maps to exactly one and only one VLAN. With this definition, the terms *VLAN* and *subnet* are almost interchangeable.

To configure an XP as a combined switch and router, the administrator must create VLANs whenever multiple ports of the XP are to belong to a particular VLAN/subnet. Then the VLAN must be *bound to* an L3 (IP/IPX) interface so that the XP knows which VLAN maps to which IP/IPX subnet.

Ports, VLANs, and L3 Interfaces

The term *port* refers to a physical connector on the XP, such as an ethernet port. Each port must belong to at least one VLAN. When the XP is unconfigured, each port belongs to a VLAN called the “default VLAN.” By creating VLANs and adding ports to the created VLANs, the ports are moved from the default VLAN to the newly created VLANs.

Unlike traditional routers, the XP has the concept of logical interfaces rather than physical interfaces. An L3 interface is a logical entity created by the administrator. It can contain more than one physical port. When an L3 interface contains exactly one physical port, it is equivalent to an interface on a traditional router. When an L3 interface contains several ports, it is equivalent to an interface of a traditional router which is connected to a layer-2 device such as a switch or bridge.

Access Ports and Trunk Ports (802.1P and 802.1Q support)

The ports of an XP can be classified into two types, based on VLAN functionality: **access ports** and **trunk ports**. By default, a port is an access port. An access port can belong to at most one VLAN of the following types: IP, IPX, or bridged protocols.

Note: The 802.1Q bridge MIB can create an IP-based VLAN with Layer-4 bridging enabled.

The XP can automatically determine whether a received frame is an IP frame, an IPX frame or neither. Based on this, it selects a VLAN for the frame. Frames transmitted out of an access port contain no special information about the VLAN to which they belong. These frames are classified as belonging to a particular VLAN based on the protocol of the frame and the VLAN configured on the receiving port for that protocol. For example, if port 1 belongs to VLAN *IPX_VLAN* for IPX, VLAN *IP_VLAN* for IP and VLAN *OTHER_VLAN* for any other protocol, then an IP frame received by port 1 is classified as belonging to VLAN *IP_VLAN*.

You can use the **port enable 8021p** command to tag frames transmitted from access ports with a one-byte, 802.1p class of service (CoS) value. The CoS value indicates the frame's priority. There are 8 CoS values, 0 is the lowest priority and 7 is the highest.

Trunk ports (802.1Q) carry traffic belonging to several VLANs and are usually used to connect one VLAN-aware switch to another. For example, suppose that XP A and B are both configured with VLANs V1 and V2. A frame arriving at a port on XP A must be sent to XP B, if the frame belongs to VLAN V1 or to VLAN V2. Thus the ports on XP A and B which connect the two XPs together must belong to both VLAN V1 and VLAN V2. Also, when these ports receive a frame, they must be able to determine whether the frame belongs to V1 or to V2. This is accomplished by "tagging" the frames, i.e., by prepending information to the frame in order to identify the VLAN to which the frame belongs. In the XP switching routers, trunk ports always transmit and receive tagged frames only. The format of the tag is specified by the IEEE 802.1Q standard. The only exception to this is Spanning Tree Protocol frames, which are transmitted as untagged frames.

Explicit and Implicit VLANs

As mentioned earlier, VLANs can either be created explicitly by the administrator (explicit VLANs) or are created implicitly by the XP when L3 interfaces are created (implicit VLANs).

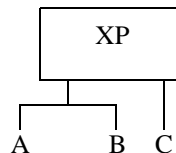
Configuring XP Bridging Functions

Configuring Address-based or Flow-based Bridging

The XP ports perform address-based bridging by default but can be configured to perform flow-based bridging instead of address-based bridging, on a per-port basis. A port cannot be configured to perform both types of bridging at the same time.

The XP performance is equivalent when performing flow-based bridging or address-based bridging. However, address-based bridging is more efficient because it requires fewer table entries while flow-based bridging provides tighter management and control over bridged traffic.

For example, the following illustration shows an XP with traffic being sent from port A to port B, port B to port A, port B to port C, and port A to port C.



The corresponding bridge tables for address-based and flow-based bridging are shown below. As shown, the bridge table contains more information on the traffic patterns when flow-based bridging is enabled compared to address-based bridging.

Address-Based Bridge Table	Flow-Based Bridge Table
A (source)	A → B
B (source)	B → A
C (destination)	B → C
	A → C

With the XP configured in flow-based bridging mode, the network manager has “per flow” control of layer-2 traffic. The network manager can then apply Quality of Service (QoS) policies or security filters based on layer-2 traffic flows.

To enable flow-based bridging on a port, enter the following command in Configure mode.

Configure a port for flow-based bridging.	port flow-bridging <port-list> all-ports
---	---

To change a port from flow-based bridging to address-based bridging, enter the following command in Configure mode:

Change a port from flow-based bridging to address-based bridging.	negate <line-number of active config containing command>: port flow-bridging <port-list> all-ports
---	---

Configuring Spanning Tree

Note: Some commands in this facility require updated XP hardware.

The XP supports per VLAN spanning tree. By default, all the VLANs defined belong to the default spanning tree. You can create a separate instance of spanning tree using the following command:

Create spanning tree for a VLAN.	pvst create spanningtree vlan-name <string>
----------------------------------	--

Note: The maximum number of per-VLAN spanning trees you can support relates to the amount of memory installed in your system. Because each spanning tree allocates 1 MB of memory, a system with 256 MB of memory will support approximately 200 per-VLAN spanning trees (depending on the amount of memory needed to configure the hardware).

By default, spanning tree is disabled on the XP. To enable spanning tree on the XP, you perform the following tasks on the ports where you want spanning tree enabled.

Enable spanning tree on one or more ports for default spanning tree.	stp enable port <port-list>
Enable spanning tree on one or more ports for a particular VLAN.	pvst enable port <port-list> spanning-tree <string>

Enabling Rapid Spanning Tree Protocol (RSTP)

By default, all spanning trees in the XP run in STP (802.1D) compatible mode. The time each port needs to reconfigure its connection after a topology change depends on the forward delay set for the spanning tree, which ranges from 4 to 30 seconds. With RSTP enabled, this converging time could be reduced to as little as 1 second in certain cases. You can enable RSTP using the following:

Enable RSTP on the default spanning tree	stp set protocol-version rstp
Enable RSTP on a particular spanning tree instance	pvst set protocol-version rstp spanning-tree <string>

In order to remain compatible with STP, an RSTP-capable bridge sends out STP-compatible BPDUs to individual ports that are connected to other legacy bridges running STP and continues to do so even when you replace the legacy bridges with RSTP-capable bridges. Additionally, changes in the point-to-point or the edge-port operational status can go undetected by the XP. In these cases,

the XP will not be able to take full advantage of RSTP and will need to be reset. To test the network for such changes and reset RSTP on these ports, enter the following commands in Enabled mode:

Reset RSTP on one or more ports for default spanning tree	stp reset-rstp port <port-list>
Reset RSTP on one or more ports for a particular spanning tree instance	pvst reset-rstp port <port-list> spanning-tree <string>

Adjusting Spanning-Tree Parameters

You may need to adjust certain spanning-tree parameters if the default values are not suitable for your bridge configuration. Parameters affecting the entire spanning tree are configured with variations of the bridge global configuration command. Interface-specific parameters are configured with variations of the bridge-group interface configuration command.

You can adjust spanning-tree parameters by performing any of the tasks in the following sections:

- Set the Bridge Priority
- Set an Interface Priority

Note: Only network administrators with a good understanding of how bridges and the Spanning-Tree Protocol work should make adjustments to spanning-tree parameters. Poorly chosen adjustments to these parameters can have a negative impact on performance. A good source on bridging is the IEEE 802.1D specification.

Setting the Bridge Priority

You can globally configure the priority of an individual bridge when two bridges tie for position as the root bridge, or you can configure the likelihood that a bridge will be selected as the root bridge. The lower the bridge's priority, the more likely the bridge will be selected as the root bridge. This priority is determined by default; however, you can change it.

To set the bridge priority, enter the following command in Configure mode:

Set the bridge priority for default spanning tree.	stp set bridging priority <num>
Set the bridge priority for a particular instance of spanning tree.	pvst set bridging spanning-tree <string> priority <num>

Setting a Port Priority

You can set a priority for an interface. When two bridges tie for position as the root bridge, you configure an interface priority to break the tie. The bridge with the lowest interface value is elected.

To set an interface priority, enter the following command in Configure mode:

Establish a priority for a specified interface for default spanning tree.	stp set port <i><port-list></i> priority <i><num></i>
Establish a priority for a specified interface for a particular instance of spanning tree.	pvst set port <i><port-list></i> spanning-tree <i><string></i> priority <i><num></i>

Assigning Port Costs

Each interface has a port cost associated with it. By convention, the port cost is 1000/data rate of the attached LAN, in Mbps. You can set different port costs.

To assign port costs, enter the following command in Configure mode:

Set a different port cost other than the defaults for default spanning tree.	stp set port <i><port-list></i> port-cost <i><num></i>
Set a different port cost other than the defaults for a particular instance of spanning tree.	pvst set port <i><port-list></i> spanning-tree <i><string></i> port-cost <i><num></i>

Adjusting Bridge Protocol Data Unit (BPDU) Intervals

You can adjust BPDU intervals as described in the following sections:

- Adjust the Interval between Hello BPDUs
- Define the Forward Delay Interval
- Define the Maximum Idle Interval

Adjusting the Interval between Hello Times

You can specify the interval between hello time.

To adjust this interval, enter the following command in Configure mode:

Specify the interval between hello time for default spanning tree.	stp set bridging hello-time <i><num></i>
Specify the interval between hello time for a particular instance of spanning tree.	pvst set bridging spanning-tree <i><string></i> hello-time <i><num></i>

Defining the Forward Delay Interval

The forward delay interval is the amount of time spent listening for topology change information after an interface has been activated for bridging and before forwarding actually begins.

To change the default interval setting, enter the following command in Configure mode:

Set the default of the forward delay interval for default spanning tree.	stp set bridging forward-delay <num>
Set the default of the forward delay interval for a particular instance of spanning tree.	pvst set bridging spanning-tree <string> forward-delay <num>

Defining the Maximum Age

If a bridge does not hear BPDUs from the root bridge within a specified interval, it assumes that the network has changed and recomputes the spanning-tree topology.

To change the default interval setting, enter the following command in Configure mode:

Change the amount of time a bridge will wait to hear BPDUs from the root bridge for default spanning tree.	stp set bridging max-age <num>
Change the amount of time a bridge will wait to hear BPDUs from the root bridge for a particular instance of spanning tree.	pvst set bridging spanning-tree <string> max-age <num>

Adjusting RSTP parameters

Since 1-second link reconfiguration can happen only on a point-to-point link or an edge port (a port that is known to be on the edge of a bridged LAN), you may want to define them administratively using the following:

Specify a link in the default spanning tree as a point-to-point link [ForceTrue], a non-point-to-point link [ForceFalse], or as determined by the XP	stp set port <port-list> point-to-point [ForceTrue ForceFalse Auto]
Specify a link in a particular spanning tree instance as a point-to-point link [ForceTrue], a non-point-to-point link [ForceFalse], or as determined by the XP	pvst set port <port-list> point-to-point [ForceTrue ForceFalse Auto] spanning-tree <string>

Configuring a Port- or Protocol-Based VLAN

To create a port or protocol based VLAN, perform the following steps in the Configure mode.

1. Create a port or protocol based VLAN.
2. Add physical ports to a VLAN.

Creating a Port or Protocol Based VLAN

To create a VLAN, enter the following command in Configure mode.

Create a VLAN.	<code>vlan create <vlan-name> <type> id <num></code>
----------------	--

Adding Ports to a VLAN

To add ports to a VLAN, enter the following command in Configure mode.

Add ports to a VLAN.	<code>vlan add ports <port-list> to <vlan-name></code>
----------------------	--

Configuring VLAN Trunk Ports

The XP supports standards-based VLAN trunking between multiple XPs as defined by IEEE 802.1Q. 802.1Q adds a header to a standard Ethernet frame which includes a unique VLAN id per trunk between two XPs. These VLAN IDs extend the VLAN broadcast domain to more than one XP.

To configure a VLAN trunk, enter the following command in the Configure mode.

Configure 802.1Q VLAN trunks.	<code>vlan make <port-type> <port-list></code>
-------------------------------	--

Note: The 802.1q bridge MIB can create an IP-based VLAN with Layer-4 bridging enabled.

Configuring VLANs for Bridging

The XP allows you to create VLANs for AppleTalk, DECnet, SNA, and IPv6 traffic as well as for IP and IPX traffic. You can create a VLAN for handling traffic for a single protocol, such as a DECnet VLAN. Or, you can create a VLAN that supports several specific protocols, such as SNA and IP traffic.

Note: Some commands in this facility require updated XP hardware.

Configuring Layer-2 Filters

Layer-2 security filters on the XP allow you to configure ports to filter specific MAC addresses. When defining a Layer-2 security filter, you specify to which ports you want the filter to apply. Refer to the “*Security Configuration Chapter*” for details on configuring Layer-2 filters. You can specify the following security filters:

- Address filters

These filters block traffic based on the frame's source MAC address, destination MAC address, or both source and destination MAC addresses in flow bridging mode. Address filters are always configured and applied to the input port.

- Port-to-address lock filters

These filters prohibit a user connected to a locked port or set of ports from using another port.

- Static entry filters

These filters allow or force traffic to go to a set of destination ports based on a frame's source MAC address, destination MAC address, or both source and destination MAC addresses in flow bridging mode. Static entries are always configured and applied at the input port.

- Secure port filters

A secure filter shuts down access to the XP based on MAC addresses. All packets received by a port are dropped. When combined with static entries, however, these filters can be used to drop all received traffic but allow some frames to go through.

Monitoring Bridging

The XP provides display of bridging statistics and configurations contained in the XP.

To display bridging information, enter the following commands in Enable mode.

Show IP routing table.	ip show routes
Show all MAC addresses currently in the I2 tables.	I2-tables show all-macs
Show I2 table information on a specific port.	I2-tables show port-macs
Show information the master MAC table.	I2-tables show mac-table-stats
Show information on a specific MAC address.	I2-tables show mac
Show information on MACs registered.	I2-table show bridge-management
Show all VLANs.	vlan show
Show STP bridge information	stp show bridging-info
Show PVST bridge information	pvst show bridging-info spanning-tree <string>
Show STP port information	port show stp-info <port_list> all-ports
Show PVST port information	port show pvst-info <port_list> all-ports spanning-tree <string>

Configuration Examples

VLANs are used to associate physical ports on the XP with connected hosts that may be physically separated but need to participate in the same broadcast domain. To associate ports to a VLAN, you must first create a VLAN and then assign ports to the VLAN. This section shows examples of creating an IP or IPX VLAN and a DECnet, SNA, and AppleTalk VLAN.

Creating an IP or IPX VLAN

In this example, servers connected to port gi.1.(1-2) on the XP need to communicate with clients connected to et.4.(1-8). You can associate all the ports containing the clients and servers to an IP VLAN called 'BLUE'.

First, create an IP VLAN named 'BLUE'

```
xp(config)# vlan create BLUE ip
```

Next, assign ports to the 'BLUE' VLAN.

```
xp(config)# vlan add ports et.4.(1-8),gi.1.(1-2) to BLUE
```

Creating a non-IP/non-IPX VLAN

In this example, SNA, DECnet, and AppleTalk hosts are connected to et.1.1 and et.2.(1-4). You can associate all the ports containing these hosts to a VLAN called 'RED' with the VLAN ID 5.

First, create a VLAN named 'RED'

```
xp(config)# vlan create RED sna dec appletalk id 5
```

Next, assign ports to the 'RED' VLAN.

```
xp(config)# vlan add ports et.1.1, et.2.(1-4) to RED
```

Configuring per-VLAN spanning tree with RSTP enabled

In this example, two XPs are connected as shown in the diagram below. We will create a per VLAN spanning tree instance with RSTP enabled on port gi.1.(1-2), et.3.1 in XP1 and gi.2.(1-2) in XP2.

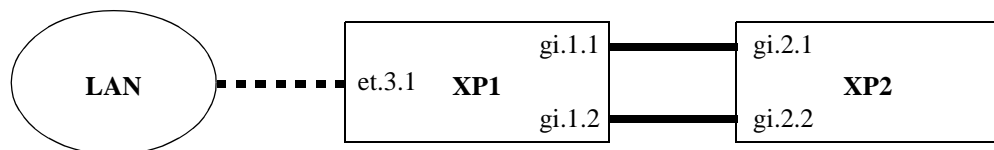


Figure 6. Configuring per VLAN spanning tree with RSTP enabled

Note: The maximum number of per-VLAN spanning trees you can support relates to the amount of memory installed in your system. Because each spanning tree allocates 1 MB of memory, a system with 256 MB of memory will support approximately 200 per-VLAN spanning trees (depending on the amount of memory needed to configure the hardware).

First, create a VLAN named 'GREEN' with VLAN ID 100 on both XP1 and XP2 and add the ports to the VLAN:

```
XP1(config)# vlan create GREEN port-based id 100
XP1(config)# vlan add ports gi.1.(1-2),et.3.1 to GREEN
```

```
XP2(config)# vlan create GREEN port-based id 100
XP2(config)# vlan add ports gi.2.(1-2) to GREEN
```

Then, create a spanning tree instance for VLAN 'GREEN'.

```
XP1(config)# pvst create spanningtree vlan_name GREEN
```

```
XP2(config)# pvst create spanningtree vlan_name GREEN
```

Enable PVST on gi.1.1(1-2),et.3.1 in XP1 and gi.2.(1-2) in XP2.

```
XP1(config)# pvst enable port gi.1.(1-2),et.3.1 spanning-tree GREEN
```

```
XP2(config)# pvst enable port gi.2.(1-2) spanning-tree GREEN
```

To enable RSTP for this spanning tree, set the protocol version to 'rstp'

```
XP1(config)# pvst set protocol-version rstp spanning-tree GREEN
```

```
XP2(config)# pvst set protocol-version rstp spanning-tree GREEN
```

To allow 1-second link reconfiguration, the links between gi.1.(1-2) in XP1 and gi.2.(1-2) in XP2 must be point-to-point links. You should also define et.3.1 in XP1 as an edge-port if it is not connected to any other bridges that can generate loops in the network.

```
XP1(config)# pvst set port gi.1.(1-2) point-to-point ForceTrue
XP1(config)# pvst set port et.3.1 edge-port True
```

```
XP2(config)# pvst set port gi.2.(1-2) point-to-point ForceTrue
```


Chapter 7

SmartTRUNK Configuration Guide

Overview

This chapter explains how to configure and monitor SmartTRUNKs on the XP. A SmartTRUNK is Enterasys Networks' technology for load balancing and load sharing. For a description of the SmartTRUNK commands, see the “**smartrunk** commands” section of the *Enterasys X-Pedition Command Line Interface Reference Manual*.

On the XP, a SmartTRUNK is a group of two or more ports that have been logically combined into a single port. Multiple physical connections between devices are aggregated into a single logical, high-speed path that acts as a single link. Traffic is balanced across all interfaces in the combined link, increasing overall available system bandwidth.

SmartTRUNKs allow administrators the ability to increase bandwidth at congestion points in the network, thus eliminating potential traffic bottlenecks. SmartTRUNKs also provide improved data link resiliency. If one port in a SmartTRUNK should fail, its load is distributed evenly among the remaining ports and the entire SmartTRUNK link remains operational.

SmartTRUNK is Enterasys's standard for building high-performance links between Enterasys's switching platforms. SmartTRUNKs can interoperate with switches, routers, and servers from other vendors as well as Enterasys platforms.

SmartTRUNKs are compatible with all XP features, including VLANs, STP, VRRP, etc. SmartTRUNK operation is supported over different media types and a variety of technologies including 10/100/1000 Mbps Ethernet.

Configuring SmartTRUNKs

To create a SmartTRUNK:

1. Create a SmartTRUNK and specify a control protocol for it.
2. Add physical ports to the SmartTRUNK.
3. Specify the policy for distributing traffic across SmartTRUNK ports. This step is optional; by default, the XP distributes traffic to ports in a round-robin (sequential) manner.

Creating a SmartTRUNK

When you create a SmartTRUNK, you specify if the DEC Hunt Group control protocol is to be used or if no control protocol is to be used:

- If you are connecting the SmartTRUNK to another XP, other Enterasys devices (such as the SmartSwitch 6000 or SmartSwitch 9000), or Digital GIGAswitch/Router, specify the DEC Hunt Group control protocol. The Hunt Group protocol is useful in detecting errors like transmit/receive failures, misconfiguration, etc.
- If you are connecting the SmartTRUNK to a device that does not support the DEC Hunt Group control protocol, such as those devices that support Cisco’s EtherChannel technology, specify no control protocol. Only link failures are detected in this mode.
- If you are configuring the SmartTRUNK for 802.3ad link aggregation, specify the Link Aggregation Control protocol (LACP). You will then be able to use the “smarttrunk set” command to set the various actor parameters for this protocol.

To create a SmartTRUNK, enter the following command in Configure mode:

Create a SmartTRUNK that will be connected to a device that supports the DEC Hunt Group control protocol.	smarttrunk create <smarttrunk> protocol huntgroup
Create a SmartTRUNK that will be connected to a device that does not support the DEC Hunt Group control protocol.	smarttrunk create <smarttrunk> protocol no-protocol
Create a SmartTRUNK that will be used for 802.3ad link aggregation.	smarttrunk create <smarttrunk> protocol lacp

Add Physical Ports to the SmartTRUNK

You can add any number of ports to a SmartTRUNK. The limit is the number of ports on the XP. Any port on any module can be part of a SmartTRUNK. If one module should go down, the remaining ports on other modules will remain operational.

Ports added to a SmartTRUNK must:

- Be set to full duplex.
- Be in the same VLAN.
- Have the same properties (L2 aging, STP state, and so on).

To add ports to a SmartTRUNK, enter the following command in Configure mode:

Create a SmartTRUNK that will be connected to a device that supports the DEC Hunt Group control protocol.	smarttrunk add ports <port list> to <smarttrunk>
---	--

Specify Traffic Distribution Policy (Optional)

The default policy for distributing traffic across the ports in a SmartTRUNK is “round-robin,” where the XP selects the port on a rotating basis. The other policy that can be chosen is “link-utilization,” where packets are sent to the least-used port in a SmartTRUNK. You can choose to specify the link-utilization policy for a particular SmartTRUNK, a list of SmartTRUNKs, or for all SmartTRUNKs on the XP.

Specify traffic distribution policy.	smarttrunk set load-policy on <smarttrunk list> all-smarttrunks round-robin link-utilization
--------------------------------------	---

Specify Actor Parameters for LACP (Link Aggregation Control Protocol)

To set the actor parameters for running link aggregation with the 802.3ad protocol (lacp), enter the following:

Set actor's administrative parameters.	smarttrunk set actor-parameters
The port number for which to set the parameters.	smarttrunk set actor-parameters port <port list>
Set the priority of the system.	smarttrunk set actor-parameters port <port list> system-priority <num>
Set the administrative key for the port.	smarttrunk set actor-parameters port <port list> port-key <num>
Set the administrative priority for the port.	smarttrunk set actor-parameters port <port list> port-priority <num>
Set the administrative LACP activity for the port.	smarttrunk set actor-parameters port <port list> activity <active/passive>
Set the administrative aggregation for the port.	smarttrunk set actor-parameters port <port list> aggregation <aggregatable/individual>
Set the administrative LACP Timeout for the port.	smarttrunk set actor-parameters port <port list> timeout <long/short>
Set the LACP enable/disable flag.	smarttrunk set actor-parameters port <port list> lacp <enable/disable>

Monitoring SmartTRUNKs

Statistics are gathered for data flowing through a SmartTRUNK and each port in the SmartTRUNK. To display SmartTRUNK statistics, enter one of the following commands in Enable mode:

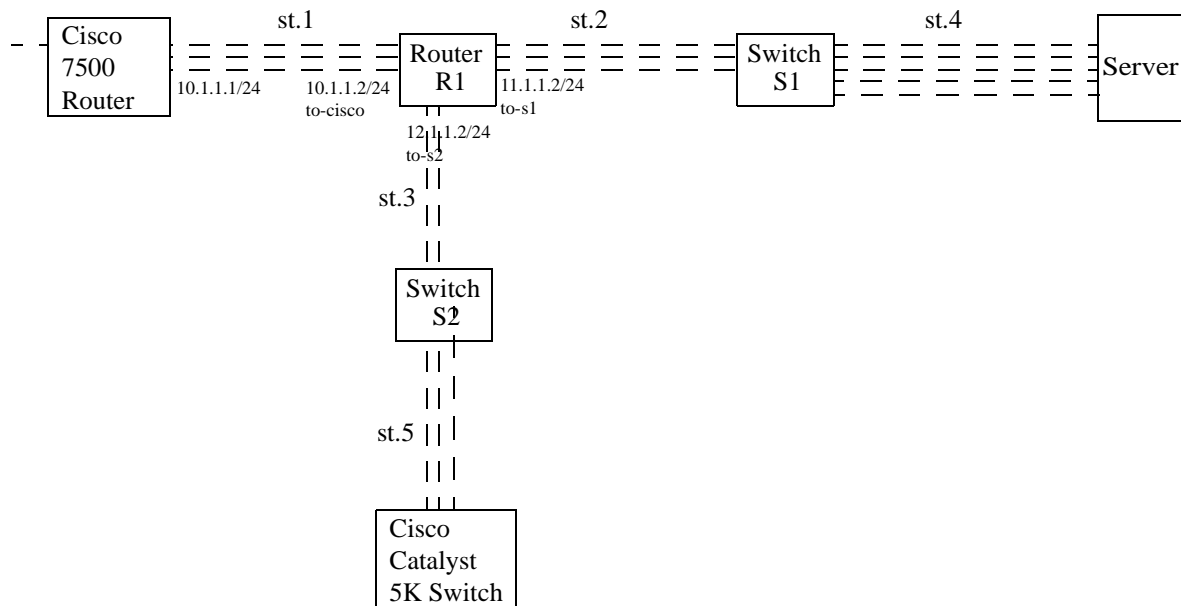
Display information about all SmartTRUNKs and the control protocol used.	smarttrunk show trunks
Display statistics on traffic distribution on SmartTRUNK	smarttrunk show distribution <smarttrunk list> all-smarttrunks
Display information about the control protocol on a SmartTRUNK.	smarttrunk show protocol-state <smarttrunk list> all-smarttrunks
Display information about the SmartTRUNK connection (DEC Hunt Group control protocol connections only).	smarttrunk show connections <smarttrunk list> all-smarttrunks
Display the LACP port parameters for this SmartTRUNK.	smarttrunk show lacp-control <smarttrunk list> all-smarttrunks
Display the LACP statistics counters.	smarttrunk show lacp-stats <smarttrunk list> all-smarttrunks
Display the link-aggregation group members.	smarttrunk show lags <smarttrunk list> all-smarttrunks

To clear statistics for SmartTRUNK ports, enter the following command in Enable mode.:

Clear load distribution statistics for SmartTRUNK ports.	smarttrunk clear load-distribution <smarttrunk list> all-smarttrunk
--	--

Example Configurations

The following shows a network design based on SmartTRUNKs. R1 is an XP operating as a router, while S1 and S2 are XPs operating as switches.



The following is the configuration for the Cisco 7500 router:

```

interface port-channel 1
ip address 10.1.1.1 255.255.255.0
ip route-cache distributed
interface fasteth 0/0
no ip address
channel-group 1
  
```

The following is the configuration for the Cisco Catalyst 5K switch:

```

set port channel 3/1-2 on
  
```

The following is the SmartTRUNK configuration for the XP labeled 'R1' in the diagram:

```
smarttrunk create st.1 protocol no-protocol
smarttrunk create st.2 protocol huntgroup
smarttrunk create st.3 protocol huntgroup
smarttrunk add ports et.1(1-2) to st.1
smarttrunk add ports et.2(1-2) to st.2
smarttrunk add ports et.3(1-2) to st.3
interface create ip to-cisco address-netmask 10.1.1.2/24 port st.1
interface create ip to-s1 address-netmask 11.1.1.2/24 port st.2
interface create ip to-s2 address-netmask 12.1.1.2/24 port st.3
```

The following is the SmartTRUNK configuration for the XP labeled 'S1' in the diagram:

```
smarttrunk create st.2 protocol huntgroup
smarttrunk create st.4 protocol no-protocol
smarttrunk add ports et.1(1-2) to st.2
smarttrunk add ports et.2(1-2) to st.4
```

The following is the SmartTRUNK configuration for the XP labeled 'S2' in the diagram:

```
smarttrunk create st.3 protocol huntgroup
smarttrunk create st.5 protocol no-protocol
smarttrunk add ports et.1(1-2) to st.3
smarttrunk add ports et.2(1-2) to st.5
```

Chapter 8

ATM Configuration Guide

ATM Overview

This chapter provides an overview of the Asynchronous Transfer Mode (ATM) features available for the Enterasys X-Pedition. ATM is a cell switching technology used to establish multiple connections over a physical link, and configure each connection with its own traffic parameters. This provides more control over specific connections within a network.

Note: This release supports PVCs only. To learn more about PVCs, see *Permanent Virtual Circuits (PVCs)* on page 376.

The ATM line card provides an ATM interface, allowing integration of ATM with Ethernet and other interfaces within a network topology supported by the XP. This chapter discusses the following tasks:

- Creating a Virtual Channel (VC)
- Creating a Service Profile
- Applying a Service Profile
- Enabling Cell Scrambling
- Selecting the Cell Mapping Format
- Setting the Bit Allocation for the Virtual Path Identifier (VPI)
- Mapping a Peer Address to a VC
- Configuring Synchronous Optical Network (SONET) Parameters
- Displaying ATM Statistics

Virtual Channels

A virtual channel is a point-to-point connection that exists within a physical connection. You can create multiple virtual channels within one physical connection, with each virtual channel having its own traffic profile. The name “virtual” implies that the connection is located in silicon instead of a physical wire. Refer to *Creating a Service Profile Definition on page 61* for information about defining a set of traffic parameters for a virtual channel.

Creating a Virtual Channel

To create a virtual channel, enter the following command in Configure mode:

Creates a virtual channel.	atm create vcl port <port list>
----------------------------	--

The following is a description of the parameters used to create a virtual channel:

port <port list> This parameter identifies the ATM port as well as the virtual channel identifier (VCI) and virtual path identifier (VPI). Specify this parameter in the format:
media.slot.port.vpi.vci

media Specifies the media type. This is **at** for ATM ports.

slot Specifies the slot number where the module is installed.

port Specifies the port on where you want to create a virtual channel.

vpi Specifies the Virtual Path Identifier. This number identifies a particular virtual path.

vci Specifies the Virtual Channel Identifier. This number identifies a particular virtual channel.

The combination of VPI and VCI is known as the VPI/VCI pair, and identifies the virtual channel.

Note: Do not specify VCI numbers 0 through 31. Some protocols use these VPI/VCI pairs for signaling purposes.

Virtual channel and IPX Routing

The following commands create an ATM virtual channel on an ATM port and associate the port with an IPX interface. This allows IPX routing between two IPX interfaces. As with any IPX interface, IPX routing using RIP (the default) will begin when you configure an IPX interface.

```
xp(config)# atm create vcl port at.3.1.1.100
xp(config)# interface create ipx finance address 01234567 peer-address 01234567.00:00:1d:a9:8c:a1
port at.3.1.1.100
xp(config)# interface create ipx marketing address 01234569 port et.1.1
```

Setting the Operation Mode for a Virtual Channel

You can set certain operational modes on a VC, such as enabling forced-bridging and enabling traffic statistics. Enabling forced-bridging forces the VC to encapsulate all ingress/egress traffic into a Layer-2 frame. As a result, all traffic passing through the VC group is formatted as bridged traffic. This feature is advantageous when inter-operability between different vendor equipment is a concern.

Enabling traffic statistics allows you to gather and display various statistics about the virtual channel, including “RMON-like” statistics, counts of frames sent and received, unicast/broadcast/multicast frames sent and received, etc.

To enable forced-bridging on a VC, enter the following command in Configure mode:

Enables forced-bridging on a virtual channel.	atm set vcl port <port> forced-bridged
---	---

To enable gathering of traffic statistics on a VC, enter the following command in Configure mode:

Enables gathering of traffic stats on a virtual channel.	atm set vcl port <port> traffic-stats-enable
--	---

The following is a description of the parameters used with this command:

- port <port>** This parameter identifies the ATM port as well as the virtual channel identifier (VCI) and virtual path identifier (VPI). Specify this parameter in the format: **media.slot.port.vpi.vci**
- media** Specifies the media type. This is at for ATM ports.
- slot** Specifies the slot number where the module is installed.
- port** Specifies the port on where you want to create a virtual channel.

vpi	Specifies the Virtual Path Identifier. This number identifies a particular virtual path.
vci	Specifies the Virtual Channel Identifier. This number identifies a particular virtual channel.
forced-bridged	Enables all traffic to be encapsulated as Layer-2 bridged traffic. This parameter can be used for inter-operability between the XP and other vendor products.
traffic-stats-enable	Enables gathering of traffic statistics on a VC. Refer to <i>Displaying ATM Port Information on page 67</i> for information about displaying VC traffic statistics.

Service Profile Definition

ATM provides the ability to specify various parameters for each virtual channel. These parameters include traffic parameters which define the bandwidth characteristics and delay guarantees. You can apply a different set of traffic parameters for each virtual channel. This provides network administrators more control of their network resources and more options in connections to accommodate different user needs.

If the bandwidth of a service category is exceeded, packets may be dropped—including routing protocol packets. This may also cause routes to drop.

Creating a Service Profile Definition

To create a service profile definition, enter the following command in Configure mode:

Creates a service profile definition.	atm define service <string> [srv-cat cbr ubr rt-vbr nrt-vbr] [pcr pcr-kbits] [scr scr-kbits] [mbs] [encaps llc-mux vc-mux] [oam on off] [oam-f5-type current-segment end-to-end]
---------------------------------------	---

The following is a description of the parameters used to create a service profile definition:

- service** <string> Specifies a name for the service profile definition. The maximum length is 32 characters.
- srv-cat** Defines the category for the service profile definition (UBR is the default):
- ubr** Unspecified Bit Rate. This service category is strictly best effort and runs at the available bandwidth. Users may limit the bandwidth by specifying a PCR value. The SCR and MBS are ignored. This service class is intended for applications that do not require specific traffic guarantees. UBR is the **default**.
 - cbr** Constant Bit Rate. This service category provides a guaranteed constant bandwidth specified by the Peak Cell Rate (PCR). This service category requires only the PCR value. The Sustainable Cell Rate (SCR) and Maximum Burst Size (MBS) values are ignored. This service category is intended for applications that require constant cell rate guarantees such as uncompressed voice or video transmission.
 - nrt-vbr** Non Real-Time Variable Bit Rate. This service category provides a guaranteed constant bandwidth (specified by the SCR), but also provides for peak bandwidth requirements (specified by the PCR). This service category requires the PCR, SCR, and MBS options and is intended for applications that can accommodate bursty traffic with no need for real-time guarantees.

- rt-vbr** Real-Time Variable Bit Rate. This service category provides a guaranteed constant bandwidth (specified by the SCR), but also provides for peak bandwidth requirements (specified by the PCR). This service category requires the PCR, SCR, and MBS options and is intended for applications that can accommodate bursty real-time traffic such as compressed voice or video.
- pcr** Specifies the Peak Cell Rate, which defines the maximum cell transmission rate. The **default** is 353207 cells/sec. This parameter is valid for CBR, rtVBR, nrtVBR, and UBR service categories. This parameter is optional for UBR.
- pcr-kbits** Specifies the Peak Cell Rate, which defines the maximum cell transmission rate, expressed in kbits/sec. The **default** is 149759 kbits/sec (353207 cells/sec). This is the same as PCR, but is expressed in kbits/sec, and therefore may be a more convenient form. However, since the natural unit for ATM is cells/sec, there may be a difference in the actual rate because the kbit/sec value may not be an integral number of cells. This parameter is valid for CBR, rtVBR, nrtVBR, and UBR service categories.
- scr** The Sustainable Cell Rate. This rate specifies the average cell rate, expressed in cells/sec. The **default** is 0 cells/sec. This parameter is valid only for rtVBR and nrtVBR service categories.
- scr-kbits** The Sustainable Cell Rate in kbits/sec. This rate specifies the average cell rate, expressed in kbits/sec. The **default** is 0 kbits/sec. This is the same as SCR, but is expressed in kbits/sec, and therefore may be a more convenient form. However, since the natural unit for ATM is cells/sec, there may be a difference in the actual rate because the kbit/sec value may not be an integral number of cells. This parameter is valid only for rtVBR and nrtVBR service categories.
- mbs** Specifies the Maximum Burst Size in cells. **MBS** specifies how many cells can be transmitted at the Peak Cell Rate. You may specify between 2 and 255 cells—the **default** is 0 cells. This parameter is valid only for rtVBR and nrtVBR service categories.
- encaps** The encapsulation scheme used to transport multi-protocol data over the AAL5 layer. This scheme will be LLC-MUX (logical link control based multiplexing) or vc-mux (virtual channel based multiplexing). The default scheme is LLC-MUX.
- oam** OAM (Operation, Administration, and Management) loopback cells are used to provide loopback capabilities and confirm whether a VC connection is up. F5 OAM and end-to-end segments are supported, which provides loopback capabilities on a VC connection level. This parameter turns OAM **ON** or **OFF** on the PVC. The default is **OFF**. OAM OFF means that the XP responds to F5 OAM requests, but will not generate F5 OAM responses.
- oam-f5-type** Designates whether the OAM loopback cells have meaning in the current segment (the default) or end-to-end.

Applying a Service Profile Definition

To apply a service profile definition to a virtual channel, virtual path, or an ATM port, enter the following command in Configure mode:

Applies a service profile definition.	atm apply service <string> port <port list>
---------------------------------------	---

The following is a description of the parameters used to apply a service profile definition:

service <string> Specifies the name of the service profile definition which you want to apply. The maximum length is 32 characters.

port <port list> Specifies the port, in the format: **media.slot.port.vpi.vci**

media Specifies the media type. This is **at** for ATM ports.

slot Specifies the slot number where the module is installed.

port Specifies the port number.

vpi Specifies the Virtual Path Identifier. This parameter identifies the virtual path. This parameter is optional.

vci Specifies the Virtual Channel Identifier. This parameter identifies the virtual channel. This parameter is optional.

An important concept when applying service profile definitions is the concept of *inheritance*. Since a service profile definition can be applied to a virtual channel, virtual path, or an ATM port, the actual connection can inherit the service profile definition from any one of the three. The virtual channel will inherit the service profile definition that is directly applied on it. If no service profile was applied to the virtual channel, the connection will inherit the service profile applied to the virtual path. If no service profile definition is applied to the virtual path, the connection will inherit the service profile applied to the ATM port. If no service profile is applied to the port, the **default** service class UBR is applied.

Cell Scrambling

Cell scrambling is useful for optimizing the transmission density of the data stream. Since all transmissions use the same source clock for timing, scrambling the cell using a random number generator converts the data stream to a more random sequence. This ensures optimal transmission density of the data stream.

Enabling Cell Scrambling

This command allows you to enable cell scrambling for the PDH (plesiochronous digital hierarchy) physical (PHY) interfaces available on the ATM line card, such as T1, T3, E1, and E3 PHYs.

Note: Refer to the SONET chapter in the Command Line Interface Manual for information about cell scrambling on SONET PHY interfaces.

To enable cell scrambling on an ATM port, enter the following command in Configure mode:

Enables cell scrambling on an ATM port.	atm set port <port list> pdh-cell-scramble on off
---	--

The following is a description of the parameters used to enable cell scrambling:

port <port list> Specifies the port, in the format: **media.slot.port**. Specify **all-ports** to enable cell scrambling on all ports.

media Specifies the media type. This is **at** for ATM ports.

slot Specifies the slot number where the module is installed.

port Specifies the port number.

pdh-cell-scramble on|off

Specify **on** to enable cell scrambling. Specify **off** to disable cell scrambling.

Cell Mapping

The ATM cells are mapped into a PDH (E3, T3, E1) frame using two different mapping formats. The two mapping formats available are **direct** ATM cell mapping and physical layer convergence protocol (**PLCP**) mapping.

Selecting the Cell Mapping Format

To select a cell mapping format on an ATM port, enter the following command in Configure mode:

Selects a cell mapping format on an ATM port.	atm set port <port list> cell-mapping direct plcp
---	--

The following is a description of the parameters used to select the cell mapping format:

port <port list> Specifies the port, in the format: **media.slot.port**. Specify **all-ports** to select the cell mapping format for all ports.

media Specifies the media type. This is **at** for ATM ports.

slot Specifies the slot number where the module is installed.

port Specifies the port number.

cell-mapping direct|plcp

Specify **direct** to select direct ATM cell mapping. Specify **plcp** to select PLCP mapping.

VPI Bit Allocation

The Virtual Path Identifier defines a virtual path, a grouping of virtual channels transmitting across the same physical connection. The actual number of virtual paths and virtual channels available on an ATM port depends upon how many bits are allocated for the VPI and VCI, respectively. By default, there is 1 bit allocated for VPI and 11 bits allocated for VCI. You can specify a different allocation of bits for VPI and VCI for a port.

There are 12 bits available for each VPI/VCI pair per port. The number of bits allocated define the amount of VPI and VCI values available. The following equations define the number of virtual paths and virtual channels:

of virtual paths = 2^n ; where n is the number of bits allocated for VPI and n is a value from 1 to 4

of virtual channels = $2^{(12-n)}$; where $(12-n)$ is the number of bits allocated for VCI

The bit allocation command allows you to set the number of bits allocated for VPI; the remaining number of bits are allocated for VCI. Since there are only 12 bits available for each VPI/VCI pair on an ATM port, the more bits you allocate for VPI, the fewer bits remain for VCI.

Setting the Bit Allocation for VPI

To set the bit allocation for VPI on an ATM port, enter the following command in Configure mode:

Sets the number of bits allocated for VPI on a port.	atm set port <port list> vpi-bits <num>
--	---

The following is a description of the parameter used to set the number of bits allocated for VPI on an ATM port:

port <port list> This parameter identifies the ATM port. Specify this parameter in the format: **media.slot.port**. Specify **all-ports** to set bit allocation on all ports.

media Specifies the media type. This is **at** for ATM ports.

slot Specifies the slot number where the module is installed.

port Specifies the port number.

vpi-bits <num> This parameter sets the number of bits for VPI. Specify any number between 1 and 4. The **default** is 1.

Peer Address Mapping

Peer addresses allow you to specify a certain destination address for a specific virtual channel. This allows you to set the destination address for a virtual channel using the **atm set peer-addr** command. This way, a virtual channel can be dedicated to handle traffic between two specific devices.

Note: The default interface type is “broadcast.” If you connect an interface to a router capable of “point-to-point” only, you must specify the interface type as point-to-point within the configuration.

Mapped addresses are useful when you do not want to specify the peer address for the ATM port using the **interface create** command. This would be the case if the interface is created for a VLAN and there are many peer addresses on the VLAN. If any of the peers on the VLAN do not support InArp or IPCP/IPXCP, then a mapped address must be configured to determine the destination address.

Note: Specify a peer address if the XP is handling VC-mux encapsulated traffic.

Mapping a Peer Address to a Virtual Channel

To map a peer address on an ATM port to a specific virtual channel, enter the following command in Configure mode:

Maps a peer address to a specific virtual channel.	atm set peer-addr port <port> ip-address <ipaddr> ipx-address <netaddr>.<macaddr>
--	---

The following is a description of the parameters used to map a peer address to a virtual channel:

- port** <port> Specifies a single port, including virtual channel, in the format: **media.slot.port.vpi.vci**.
- media** Is the media type. This is always **at** for an ATM port.
 - slot** The slot number where the module is installed.
 - port** The number of the port through which data is passing.
 - vpi** Virtual Path Identifier.
 - vci** Virtual Channel Identifier. The virtual channel to which you will map a peer address. This allows you to define an interface (assigned to a VLAN) with multiple peer membership. In addition, it allows you to assign intercommunication between specific peers on that VLAN. This feature is helpful when a peer does not support inverse ARP or IPCP/IPXCP; in this case, you can configure any peer mapping to that peer to define the peer destination address.

Note: If the associated virtual channel is in the VC-muxing mode, use virtual peer mapping.

ip-address <ipaddr>

Specifies an IP address for the peer. Specify a unicast IP address and netmask value in the following format: **a.b.c.d/e**. This IP address will be mapped to the VC.

ipx-address <netaddr>.<macaddr>

Specifies an IPX address for the peer. Specify an IPX network and node address in the following format: **a1b2c3d4.aa:bb:cc:dd:ee:ff**. If a <macaddr> is not specified, a wildcard address is used. This IPX address will be mapped to the VC.

Displaying ATM Port Information

There are a variety of ATM statistics that can be accessed through the command line interface. The **atm show** commands can only be used in Enable mode.

To display information about the VPL configurations on an ATM port:

Displays the VPL configurations on an ATM port.	atm show vpl port <port list> / all-ports
---	---

The following is an example of the information that is displayed with the command listed above:

```
xp(atm-show)# vpl port at.9.1
VPL Table Contents for Slot 9, Port 1:
Virtual Path Identifier: 1
Administrative Status: Up
Operational Status: Up
Last State Change: 1581
Service Definition: default-OC3
Service Class: UBR
Peak Bit Rate: Best Effort
Encapsulation Type: LLC Multiplexing
F5-OAM: Responses Only
F5-OAM-Type: Current Segment
```

The following is a description of the display fields:

- Virtual Path Identifier Identifies a particular VP.
- Administrative Status Shows whether the VP is a viable network element.
Up indicates a viable network element.
Down indicates a non-viable network element.
- Operational Status Shows whether the VP is passing traffic.
Up indicates traffic.
Down indicates no traffic.

- Last State Change Shows the last time the VP went up or down. Time is in seconds relative to system bootup.
- Service Definition Shows the name of the defined service and its traffic parameters

To display information about the service definition on an ATM port:

Displays the service definition on an ATM port.	atm show service/ all
---	------------------------------

The following is an example of the information that is displayed with the command listed above:

```
xp# atm show service all

default-OC3
Service Class:      UBR
Peak Bit Rate:     Best Effort
Sustained Bit Rate: 0 Kbits/sec (0 cps)
Maximum Burst Size: 0 cells
Encapsulation Type: LLC Multiplexing
F5-OAM:            Responses Only
F5-OAM-Type:       Current Segment
```

The following is a description of the display fields:

- Service Class Shows the type of service class.
UBR indicates Unspecified Bit Rate
CBR indicates Constant Bit Rate
RT-VBR indicates Real-time Variable Bit Rate
NRT-VBR indicates Non Real-time Variable Bit Rate
- Peak Bit Rate Shows the maximum bit transmission rate.
- Sustained Bit Rate Shows the average bit transmission rate (in Kilobits per second).
- Maximum Burst Size Shows how many cells can be transmitted at the Peak Bit Rate.
- Encapsulation Type Shows the encapsulation scheme to transport multi protocol data over the AAL5 layer.
LLC-MUX indicates logical link control encapsulation (**default**).
VC-MUX indicates VC-based multiplexing encapsulation.
- F5-OAM Shows how OAM (Operation, Administration, and Management) loopback cells provide loopback capabilities and confirm whether a VC connection is up.
Responses Only indicates that the port will respond but doesn't generate OAM cells.
Requests & Responses indicates that the port will respond and generate OAM cells.

To display information about the port settings on an ATM port:

Displays the port setting configurations on an ATM port.	atm show port-settings <port list>/ all-ports
--	---

The following is an example of the information that is displayed with the command listed above (for a PDH PHY interface):

```
xp(atm-show)# port-settings at.9.1
Port information for Slot 9, Port 1:
  Port Type:          T3 ATM coaxial cable
  Xmt Clock Source:   Local
  Scramble Mode:      Payload
  Line Coding:        B3ZS
  Cell Mapping:       Direct
  Framing:            Cbit-Parity
  VC Mode:            1 bit of VPI, 11 bits of VCI
  Service Definition: default-OC3
    Service Class:    UBR
    Peak Bit Rate:    Best Effort
    Sustained Bit Rate: 0 Kbits/sec (0 cps)
    Maximum Burst Size: 0 cells
  Encapsulation Type: LLC Multiplexing
  F5-OAM:             Requests & Responses
  F5-OAM-Type:        Current Segment
```

- Port Type Shows the type of PHY interface for the port.
- Xmt Clock Source Shows the timing source for the port.
Local indicates the onboard clock oscillator as the timing source.
Loop indicates the receiver input as the timing source.
- Scramble Mode Shows the scramble/descramble mode for the port.
None indicates no scrambling.
Payload indicates scrambling of the payload only.
Frame indicates scrambling of the stream only.
Both indicates scrambling of payload and stream.
- Line Coding Shows the particular DS1/T1 and DS3/T3 coding convention.
- Cell Mapping Shows the format used to map ATM cells.
Direct indicates direct cell mapping.
Plcp indicates physical layer convergence protocol mapping.
- Framing Shows the type of framing scheme.
cbit-parity is used for T3 framing.
m23 is used for T3 framing.
esf indicates extended super frame and is used for T1 framing.
g832 is used for E3 framing.
g751 is used for E3 framing.
- VC Mode Shows the bit allocation for vpi and vci.

- **Service Definition** Shows the name of the defined service on the port and its traffic parameters.

The following is an example of the information that is displayed with the command listed above (for a SONET PHY interface):

```

xp (atm-show)# port-settings at.8.1
Port information for Slot 8, Port 1:
  Port Type:          SONET STS-3c MMF
  Xmt Clock Source:   Local
  VC Mode:           1 bit of VPI, 11 bits of VCI
  Service Definition: default-OC3
  Service Class:     UBR
  Peak Bit Rate:     Best Effort
  Encapsulation Type: LLC Multiplexing
  F5-OAM:           Requests & Responses
  F5-OAM-Type:      Current Segment
    
```

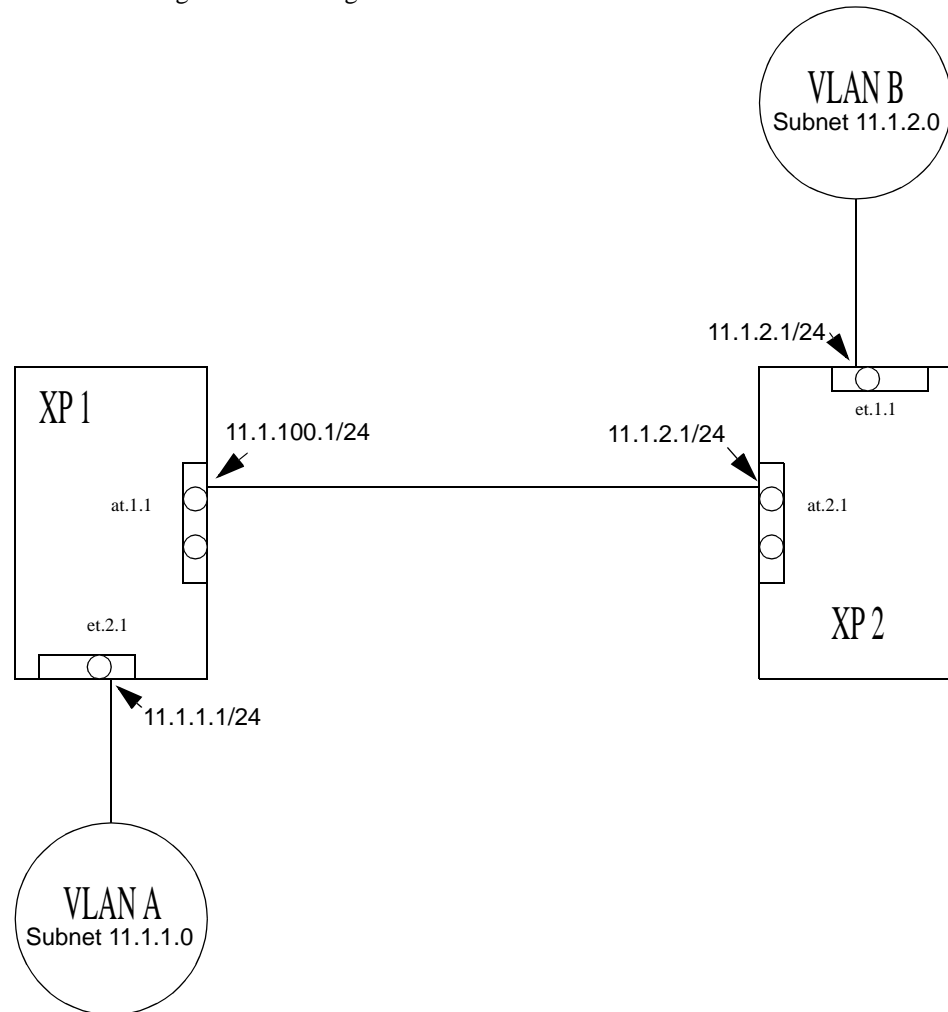
- **Port Type** Shows the type of PHY interface for the port.
- **Xmt Clock Source** Shows the timing source for the port.
Local indicates the onboard clock oscillator as the timing source.
Loop indicates the receiver input as the timing source.
- **VC Mode** Shows the bit allocation for vpi and vci.
- **Service Definition** Shows the name of the defined service on the port and its traffic parameters.

To display traffic statistics for a virtual channel:

Displays the traffic statistics for a virtual channel.	atm show stats port <port list>
--	--

ATM Sample Configuration 1

Consider the following network configuration:



The network shown consists of two XPs, VLAN A, and VLAN B. Both XPs have an ATM module with two ATM ports. Also both XPs contain a 10/100 TX Ethernet module. XP1 is connected to VLAN A through Ethernet port et.2.1, while XP2 is connected to VLAN B through Ethernet port et.1.1.

This example shows how to configure this network so that we are able to pass traffic from VLAN B to VLAN A. The following steps will lead you through the configuration process.

Configuring an Interface on each Ethernet Port

There are two separate VLANs in this network, VLAN A and VLAN B. VLAN A is connected to Ethernet port et.2.1 on XP1, and VLAN B is connected to Ethernet port et.1.1 on XP2.

Apply an interface on both Ethernet ports. Creating an interface on an Ethernet port assigns a network IP address and submask on that port.

The following command assigns an IP address of 11.1.1.1/24 on port et.2.1 on xp1:

```
xp1 (config)# interface create ip subnetA address-netmask 11.1.1.1/24 port et.2.1
```

The following command assigns an IP address of 11.1.2.1/24 on port et.1.1 on xp2:

```
xp2 (config)# interface create ip subnetB address-netmask 11.1.2.1/24 port et.1.1
```

Creating a Virtual Channel

Create a VC to connect ATM port at.1.1 on XP1 to ATM port at.2.1 on XP2. Use the following command to create a virtual channel on XP1 with vpi=0 and vci=100:

```
xp1(config)# atm create vcl port at.1.1.0.100
```

You must now configure a corresponding vpi/vci pair on ATM port at.2.1. Use the following command to create a virtual channel on XP2 with vpi=0 and vci=100:

```
xp2(config)# atm create vcl port at.2.1.0.100
```

Note that you are using the same vpi and vci on both XPs. This establishes a common VC from one ATM port to another ATM port.

Defining an ATM Service Profile

After creating a VC connection from ATM port at.1.1 to at.2.1, the next step is to define an ATM service profile for this connection.

The following command lines defines a service profile named 'cbr1m' on both XP1 and XP2 where CBR is the service category and peak cell rate is set to 10000 kcells/second:

```
xp1(config)# atm define service cbr1m srv-cat cbr pcr-kbits 10000
```

```
xp2(config)# atm define service cbr1m srv-cat cbr pcr-kbits 10000
```

Applying an ATM Service Profile

After defining a service profile on XP1 and XP2, apply them to the VC connection we created earlier.

The following command line applies the service profile 'cbr1m' to the VC (vpi=0, vci=100) on ATM port at.1.1 of XP1:

```
xp1(config)# atm apply service cbr1m port at.1.1.0.100
```

The following command line applies the service profile 'cbr1m' to the VC (vpi=0, vci=100) on ATM port at.2.1 of XP2:

```
xp2(config)# atm apply service cbr1m port at.2.1.0.100
```

Configuring an Interface on an ATM Port

The next step is to configure an interface for each ATM port. Creating an interface on an ATM port assigns a network IP address and submask on that port, and assigns it to a specified VC (VPI/VCI pair). Since a VC is a connection in the ATM Layer only, creating an interface for an ATM port is necessary to establish a connection in the IP network layer.

You can assign a peer-address to an ATM port interface. This peer-address specifies the IP address for the other end of the VC connection.

Set the IP interface name as 'atm1' and IP address as 11.1.100.1/24 on ATM port at.1.1.0.100. The following command line configures the interface on XP1:

```
1(config)# interface create ip atm1 address-netmask 11.1.100.1/24 peer-address 11.1.100.2 port at.1.1.0.100
```

Set the IP interface name as 'atm2' and IP address as 11.1.100.2/24 on ATM port at.2.1.0.100. The following command line configures the interface on XP2:

```
xp2(config)# interface create ip atm2 address-netmask 11.1.100.2/24 peer-address 11.1.100.1 port at.2.1.0.100
```

Configuring an IP Route

The next step is to add an IP route which will specify a gateway address to reach a certain subnet. You already configured IP interfaces for both Ethernet ports. VLAN B (connected to IP interface 11.1.2.1/24) belongs to the subnet 11.1.2.0. Similarly, VLAN A (connected to IP interface 11.1.1.1/24) belongs to the subnet 11.1.1.0.

Creating an IP route allows the interfaces on the ATM ports to act as gateways to any subnet. Traffic from VLAN A reaches the Ethernet port on XP1 and is automatically directed to the gateway address (interface on the ATM port for XP2). Then the traffic travels through the VC and arrives at the Ethernet port connected to VLAN B.

Add the IP route for the subnet 11.1.2.0. The following command line configures the route on XP1:

```
xp1(config)# ip add route 11.1.2.0/24 gateway 11.1.100.2
```

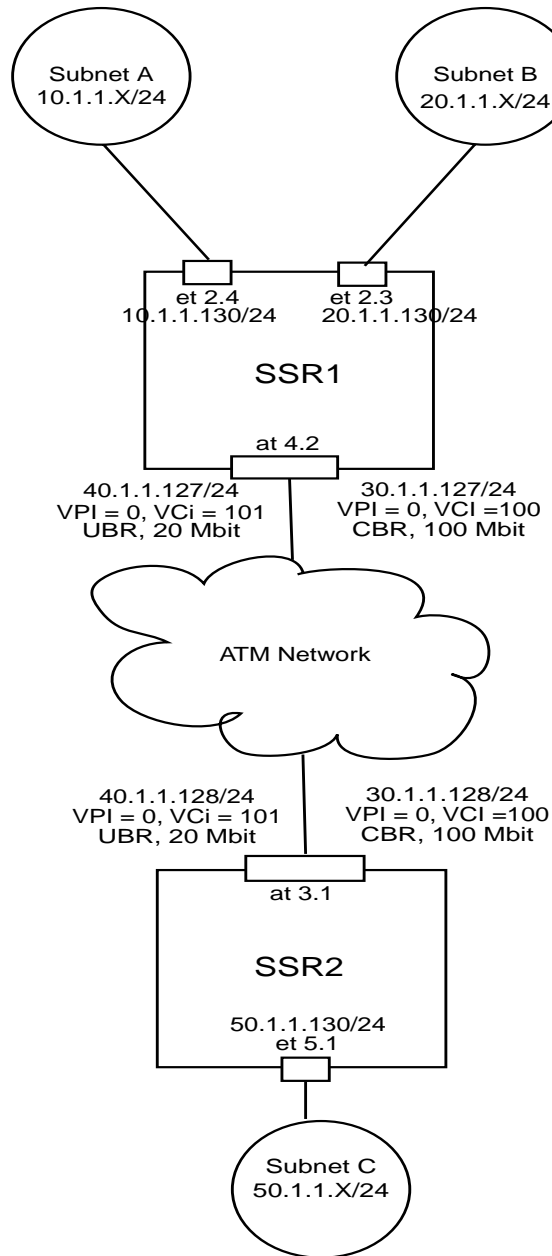
Add the IP route for the subnet 11.1.1.0. The following command line configures the route on XP2:

```
xp2(config)# ip add route 11.1.1.0/24 gateway 11.1.100.1
```

Note that the gateways specified are actually the interface for the ATM port on the other end of the VC connection.

ATM Sample Configuration 2

Consider the following network configuration:



Suppose you are a network administrator in charge of managing a network with two client groups: Subnet A and Subnet B. These two client groups have very different bandwidth needs and requirements for their respective users. Subnet A consists of users who need access to a high

bandwidth connection, able to support video conferencing. Subnet B consists of users who require less stringent requirements and are mainly concerned with email and server backup type of traffic.

As the network administrator, you can accommodate both client groups using only one ATM physical connection. This is accomplished by setting up two VCs on the ATM port, each with its own service profile definitions.

This example shows how to configure this network. The following sections will lead you through the configuration process.

This will be done in two steps. The first step is to configure the network for traffic from Subnet A and Subnet B to Subnet C. The second step is to configure the network for traffic from Subnet C to Subnet A and Subnet B.

Note: Notice that there are two routers in this configuration example: XP1 and XP2. The command line interface prompt will indicate whether the command is being inputted in XP1 (xp1#) or XP2 (xp2#).

Traffic from Subnet A and Subnet B to Subnet C

Step 1: Configuring an Interface on Each Ethernet Port

The following command assigns an IP address of 10.1.1.130/24 on port et.2.4:

```
xp1(config)# interface create ip subnetA address-netmask 10.1.1.130/24 port et.2.4
```

The following command assigns an IP address of 20.1.1.130/24 on port et.2.3:

```
xp1(config)# interface create ip subnetB address-netmask 20.1.1.130/24 port et.2.3
```

The following command assigns an IP address of 50.1.1.130/24 on port et.5.1:

```
xp2(config)# interface create ip subnetC address-netmask 50.1.1.130/24 port et.5.1
```

Step 2: Creating a Virtual Channel

The following command creates a virtual channel on port at.4.2 with VPI=0 and VCI=100:

```
xp1(config)# atm create vcl port at.4.2.0.100
```

The following command creates a virtual channel on port at.4.2 with VPI=0 and VCI=101:

```
xp1(config)# atm create vcl port at.4.2.0.101
```

The following command creates a virtual channel on port at.3.1 with VPI=0 and VCI=100:

```
xp2(config)# atm create vcl port at.3.1.0.100
```

The following command creates a virtual channel on port at.3.1 with VPI=0 and VCI=101:

```
xp2(config)# atm create vcl port at.3.1.0.101
```

Step 3: Configuring an Interface on Each ATM Port

The following command assigns an IP address of 40.1.1.127/24 on port at.4.2.0.101:

```
xp1(config)# interface create ip ubrservice address-netmask 40.1.1.127/24 peer-address 40.1.1.128 port at.4.2.0.101
```

The following command assigns an IP address of 30.1.1.127/24 on port at.4.2.0.100:

```
xp1(config)# interface create ip cbrservice address-netmask 30.1.1.127/24 peer-address 30.1.1.128 port at.4.2.0.100
```

The following command assigns an IP address of 40.1.1.128/24 on port at.3.1.0.101:

```
xp2(config)# interface create ip ubrservice address-netmask 40.1.1.128/24 peer-address 40.1.1.127 port at.3.1.0.101
```

The following command assigns an IP address of 30.1.1.128/24 on port at.3.1.0.100:

```
xp2(config)# interface create ip cbrservice address-netmask 30.1.1.128/24 peer-address 30.1.1.127 port at.3.1.0.100
```

Step 4: Defining an ATM Service Profile

The following commands define a service profile called 'ubrservice' with PCR of 20 Mbits:

```
xp1(config)# atm define service ubrservice srv-catubr pcr-kbits 20000
```

```
xp2(config)# atm define service ubrservice srv-catubr pcr-kbits 20000
```

The following commands define a service profile called 'cbrservice' with PCR of 100 Mbits:

```
xp1(config)# atm define service cbrservice srv-catcbr pcr-kbits 100000
```

```
xp2(config)# atm define service cbrservice srv-cat cbr per-kbits 100000
```

Step 5: Applying an ATM Service Profile

The following command applies the 'ubrservice' service profile on at.4.2.0.101:

```
xp1(config)# atm apply service ubrservice port at.4.2.0.101
```

The following command applies the 'cbrservice' service profile on at.4.2.0.100:

```
xp1(config)# atm apply service ubrservice port at.4.2.0.100
```

The following command applies the 'ubrservice' service profile on at.3.1.0.101:

```
xp2(config)# atm apply service cbrservice port at.3.1.0.101
```

The following command applies the 'cbrservice' service profile on at.3.1.0.100:

```
xp2(config)# atm apply service cbrservice port at.3.1.0.100
```

Step 6: Create an IP ACL

The following command creates an IP ACL policy for port et.2.4:

```
xp1(config)# acl subnetAtoCacl permit 10.1.1.0/24 any any any
```

The following command creates an IP ACL policy for port et.2.3:

```
xp1(config)# acl subnetBtoCacl permit 20.1.1.0/24 any any any
```

Step 7: Specify a Gateway for an IP Policy

The following command specifies 40.1.1.128/24 as the gateway for the IP ACL 'subnetAacl':

```
xp1(config)# ip-policy subnetAtoCpolicy permit acl subnetAtoCacl next-hop-list 40.1.1.128/24 action  
policy-first
```

The following command specifies 30.1.1.128/24 as the gateway for the IP ACL 'subnetBacl':

```
xp1(config)# ip-policy subnetBtoCpolicy permit acl subnetBtoCacl next-hop-list 30.1.1.128/24 action  
policy-first
```

Step 8: Apply the IP Policy to the Ethernet Ports

The following command applies the IP policy 'subnetApolicy' to port et.2.4:

```
xp1(config)# ip-policy subnetAtoCpolicy apply interface subnetA
```

The following command applies the IP policy 'subnetBpolicy' to port et.2.3:

```
xp1(config)# ip-policy subnetBtoCpolicy apply interface subnetB
```

Traffic from Subnet C to Subnet A and Subnet B**Step 9: Create an IP ACL**

The following command creates an IP ACL policy for port et.5.1 to subnet A:

```
xp2(config)# acl subnetCtoAacl permit 50.1.1.0/24 10.1.1.0/24 any any
```

The following command creates an IP ACL policy for port et.5.1 to subnet B:

```
xp2(config)# acl subnetCtoBacl permit 50.1.1.0/24 20.1.1.0/24 any any
```

Step 10: Specify a Gateway for an IP Policy

The following command specifies 40.1.1.127/24 as the gateway for the IP ACL 'subnetCtoAacl':

```
xp2(config)# ip-policy subnetCtoApolicy permit acl subnetCtoAacl next-hop-list 40.1.1.127/24 action policy-first
```

The following command specifies 30.1.1.127/24 as the gateway for the IP ACL 'subnetCtoBacl':

```
xp2(config)# ip-policy subnetCtoBpolicy permit acl subnetCtoBacl next-hop-list 30.1.1.127/24 action policy-first
```

Step 11: Apply the IP Policy to the Ethernet Port

The following command applies the IP policy 'subnetCtoApolicy' to port et.5.1:

```
xp2(config)# ip-policy subnetCtoApolicy apply interface subnetC
```

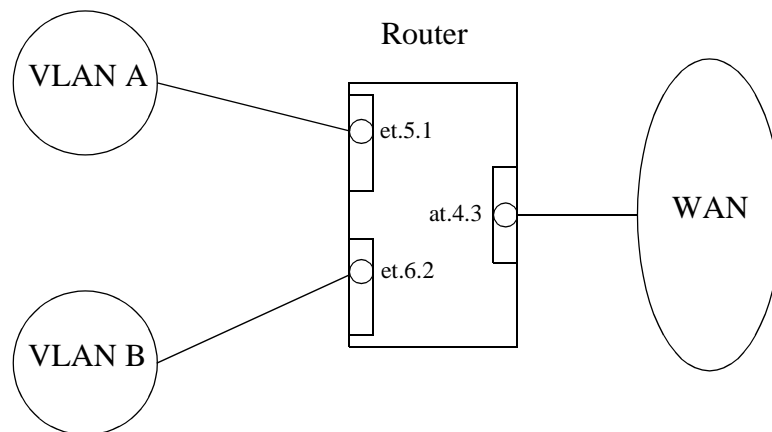
The following command applies the IP policy 'subnetCtoBpolicy' to port et.5.1:

```
xp2(config)# ip-policy subnetCtoBpolicy apply interface subnetC
```

All traffic between SubnetA and Subnet C will now travel over the 20 mbit VCL. Traffic between Subnet B and Subnet C will travel over the 100 mbit VCL.

ATM Sample Configuration 3

Consider the following network configuration:



Suppose you are a network administrator in charge of managing a network with two client groups, VLAN A and VLAN B. These two client groups have very different needs and requirements for their users. VLAN A consists of users who need access to a high bandwidth connection able to support video conferencing. VLAN B consists of users who require less bandwidth and are mainly concerned with email and server backup traffic.

This network configuration is similar to the previous ATM Configuration, *ATM Sample Configuration 2 on page 75*. However, the use of bridging and VLANs will provide the solution to your networking requirements.

You as the network administrator can accommodate their different requirements using only one ATM port. The following steps will lead you through the configuration process.

Configure an Interface on an Ethernet Port

There are two separate VLANs in this network, VLAN A and VLAN B. VLAN A is connected to ethernet port et.5.1, and VLAN B is connected to ethernet port et.6.2.

Apply an interface on both ethernet ports. Creating an interface on an ethernet port assigns a network IP address and submask on that port.

The following command assigns an IP address of 11.1.1.1/24 on port et.5.1:

```
xp(config)# interface create ip subnetA address-netmask 11.1.1.1/24 port et.5.1
```

The following command assigns an IP address of 11.1.2.1/24 on port et.6.2:

```
xp(config)# interface create ip subnetB address-netmask 11.1.2.1/24 port et.6.2
```

Create a Virtual Channel

The following command line creates a virtual channel with VPI=0 and VCI=100:

```
xp(config)# atm create vcl port at.4.3.0.100
```

The following command line creates another virtual channel with VPI=0 and VCI=101:

```
xp(config)# atm create vcl port at.4.3.0.101
```

Create a VLAN

The ATM OC-3c line card supports only IP-based VLANs.

The following command line creates an IP-based VLAN A with ID number 1:

```
xp(config)# vlan create VLAN_A ip id 1
```

The following command line creates an IP-based VLAN B with ID number 2:

```
xp(config)# vlan create VLAN_B ip id 2
```

Associate a Virtual Channel to a VLAN

The following command line associates VLAN A (et.5.1) to the virtual channel with VPI=0 and VCI=100 (at.4.3.0.100):

```
xp(config)# vlan add ports et.5.1,at.4.3.0.100 to VLAN_A
```

The following command line associates VLAN B (et.6.2) to the virtual channel with VPI=0 and VCI=101 (at.4.3.0.101):

```
xp(config)# vlan add ports et.6.2,at.4.3.0.101 to VLAN_B
```

Define an ATM Service Class

The following command lines defines a service class named 'vlanA' where CBR is the service category and peak cell rate is set to 100000 kcells/second to ensure proper support for video conferencing:

```
xp(config)# atm define service vlanA srv-cat cbr pcr-kbits 100000
```

The following command lines defines a service class named 'vlanB' where UBR is the service category:

```
xp(config)# atm define service vlanB srv-cat ubr
```

Apply an ATM Service Class

The following command lines applies service class 'vlanA' on ATM port at.4.3.0.100:

```
xp(config)# atm apply service vlanA port at.4.3.0.100
```

The following command lines applies service class 'vlanB' on ATM port at.4.3.0.101:

```
xp(config)# atm apply service vlanB port at.4.3.0.101
```

Configure an Interface on an ATM Port

The following command line sets an interface name 'vlanA' and IP address 11.1.100.1/24 on ATM port at.4.3.0.100:

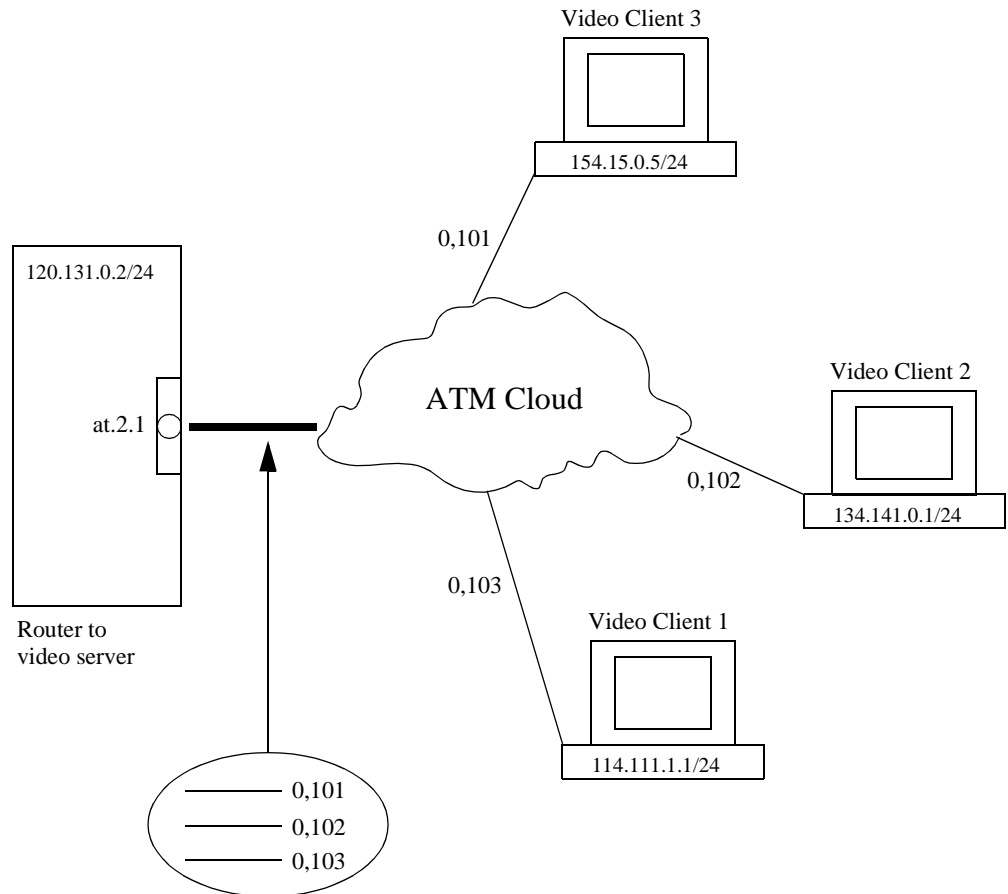
```
xp(config)# interface create ip vlanA address-netmask 11.1.100.1/24 port at.4.3.0.100
```

The following command line sets an interface name 'vlanB' and IP address 11.1.100.2/24 on ATM port at.4.3.0.101:

```
xp(config)# interface create ip vlanB address-netmask 11.1.100.2/24 port at.4.3.0.101
```


ATM Sample Configuration 4

Consider the following scenario:



Suppose you wish to set up a connection between a video server and 3 video clients. The video server will route data through the XP to the 3 separate video clients (Video Client 1, Video Client 2, and Video Client 3). The requirement is to pass traffic to the video clients through 3 separate virtual channels. This will allow you to apply a unique service profile to each Client's connection.

To try and keep things simple, you prefer to connect all 3 virtual channels to a single interface on the XP, instead of creating a separate interfaces for each VC.

You as the network administrator can accommodate these requirements by using Enterasys' ability to configure multiple VCs on a single interface. The following steps will lead you through the configuration process on the XP side of the ATM cloud.

Create the Virtual Channels

The following command line creates a virtual channel with VPI=0 and VCI=101, connected to Video Client 1:

```
xp(config)# atm create vcl port at.2.1.0.101
```

The following command line creates a virtual channel with VPI=0 and VCI=102, connected to Video Client 2:

```
xp(config)# atm create vcl port at.2.1.0.102
```

The following command line creates a virtual channel with VPI=0 and VCI=103, connected to Video Client 3:

```
xp(config)# atm create vcl port at.2.1.0.103
```

Create a VLAN

The following command line creates a VLAN called 'video' with ID number 20 and which supports all protocols:

```
xp(config)# vlan create video ip id 20
```

Associate a Virtual Channel to a VLAN

The following command line associates VLAN 'video' to the virtual channel with VPI=0 and VCI=101:

```
xp(config)# vlan add ports at.2.1.0.101 to video
```

The following command line associates VLAN 'video' to the virtual channel with VPI=0 and VCI=102:

```
xp(config)# vlan add ports at.2.1.0.102 to video
```

The following command line associates VLAN 'video' to the virtual channel with VPI=0 and VCI=103:

```
xp(config)# vlan add ports at.2.1.0.103 to video
```

Configure an Interface on an ATM Port

The following command line sets the interface name for the VLAN as 'atm-video' and the IP address as 120.131.0.2/24:

```
xp(config)# interface create ip atm-video address-netmask 120.131.0.2/24 vlan video
```

Assign a Peer Address to each Virtual Channel (for VC-mux encapsulation traffic)

This step applies only when you are transmitting VC-mux encapsulation traffic. In this specific case, you must configure a peer address to each virtual channel if you wish to associate a particular destination address to the VC. This will allow the router to route traffic to a specific client without multicasting to every virtual channel. You can dedicate a VC to handle traffic to a specific client.

The following command line associates destination address 114.111.1.1/24 (Video Client 1) to the virtual channel with VPI=0 and VCI=101:

```
xp(config)# atm set peer-addr port at.2.1.0.101 ip-address 114.111.1.1/24
```

The following command line associates destination address 134.141.0.1/24 (Video Client 2) to the virtual channel with VPI=0 and VCI=102:

```
xp(config)# atm set peer-addr port at.2.1.0.102 ip-address 134.141.0.1/24
```

The following command line associates destination address 154.15.0.5/24 (Video Client 3) to the virtual channel with VPI=0 and VCI=101:

```
xp(config)# atm set peer-addr port at.2.1.0.103 ip-address 154.15.0.5/24
```


Chapter 9

Packet-over-SONET Configuration Guide

Overview

This chapter explains how to configure and monitor packet-over-SONET (PoS) on the XP. See the **sonet** commands section of the *Enterasys X-Pedition Command Line Interface Reference Manual* for a description of each command.

PoS requires installation of the OC-3c or OC-12c PoS line cards in an XP-8000 or an XP-8600. The OC-3c line card has four PoS ports, while the OC-12c line card has two PoS ports. You must use the “so.” prefix for PoS interface ports. For example, you would specify a PoS port located at router slot 13, port 1 as “so.13.1.” By default, PoS ports are set for point-to-point protocol (PPP) encapsulation. You cannot change this encapsulation type for PoS ports.

Note: While PoS ports use PPP encapsulation, other PPP characteristics such as service profiles, encryption, compression, and MLP bundles are not supported for PoS ports.

By default, PoS ports are configured to receive a maximum transmission unit (MTU) size of 1500 octets. The actual MTU size used for transmissions over a PoS link is a result of PPP negotiation. For transmission of “jumbo frames” (MTUs up to 65535 octets), you can increase the MTU size of the PoS port. The MTU must be set at the port level.

Configuring IP Interfaces for PoS Links

Configuring IP interfaces for PoS links is generally the same as for WANs and for LANs. You assign an IP address to each interface and define routing mechanisms such as OSPF or RIP as with any IP network. You can configure the IP interface on the physical port or you can configure the interface as part of a VLAN for PoS links. You can also configure multiple IP addresses for each interface, as described in *Configuring IP Interfaces and Parameters* on page 106.

When creating the IP interface for a PoS link, you can either specify the peer address if it is known (*static* address), or allow the peer address to be automatically discovered via IPCP negotiation (*dynamic* address). If the peer address is specified, any address supplied by the peer during IPCP negotiation is ignored.

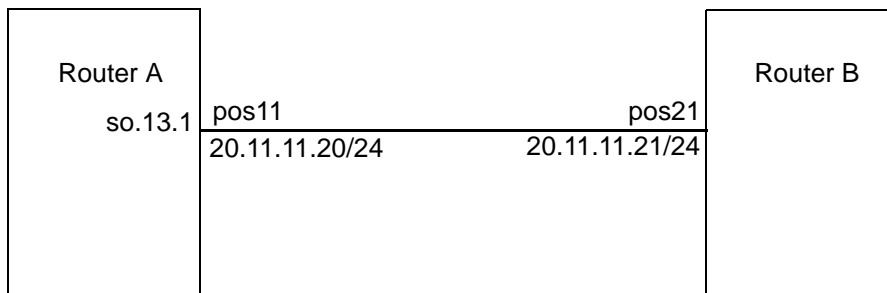
IP interfaces for PoS links can have primary and secondary IP addresses. The primary addresses may be either dynamic or static, but the secondary address must be static. This is because only the primary addresses of both the local and peer devices are exchanged during IP Control Protocol (IPCP) negotiation.

Source filtering and ACLs can be applied to an IP interface for a PoS link. Unlike WAN ports, the applied filter or ACL presents no limitation. Different filters can be configured on different PoS ports.

Configuring Packet-over-SONET Links

To configure a packet-over-SONET link:

1. On the XP, assign an interface to the PoS port to which you will connect via fiber cable in a point-to-point link. Assign an IP address and netmask to the interface. If possible, determine the peer address of the interface at the other end of the point-to-point link. In the following example, the port so.13.1 on the XP will be associated with the interface pos11:



2. Create a point-to-point interface with the **interface create** command, specifying the IP address and netmask for the interface on the XP and the peer address of the other end of the connection:

```
interface create ip pos11 address-netmask 20.11.11.20/24 peer-address 20.11.11.21 port so.13.1
```

When you create the point-to-point interface as shown above, the XP creates an implicit VLAN called “SYS_L3_<interface-name>.” In the above example, the XP creates the VLAN ‘SYS_L3_pos11.’

3. If you want to increase the MTU size on a port, specify the parameter **mtu** with the ‘**port set**’ command and define a value up to 65535 (octets). See [Configuring Jumbo Frames on page 108](#) for more information.

4. Specify the bit error rate thresholds, if necessary. See *Specifying Bit Error Rate Thresholds on page 91* for more information.
5. Modify any other PoS operating parameters, as needed. The following table lists the operating parameters that you can modify and the configuration commands that you use.

Table 5: PoS Optional Operating Parameters

Parameter	Default Value	Configuration Command
Framing	SONET	sonet set <port> framing sdh sonet
Loopback	Disabled	sonet set <port> loopback
Path tracing	(none)	sonet set <port> pathtrace
Circuit identifier	(none)	sonet set <port> circuit-id
Frame Check Sequence	32-bit	sonet set <port> fcs-16-bit
Scrambling	Enabled	sonet set <port> no-scramble

Configuring Automatic Protection Switching

Automatic protection switching (APS) provides a mechanism to support redundant transmission circuits between SONET devices. The XP supports the following APS features:

- Linear network topology. Ring topologies are not supported.
- 1+1 switching. Each working line is protected by one protecting line and the same signal is transmitted on both the working and protecting lines. The two transmission copies that arrive at the receiving end are compared, and the best copy is used. If there is a line failure or line degradation, the end node switches the connection over to the protecting line.

Note: In APS terminology, *bridge* means to transmit identical traffic on both the working and protecting lines, while *switch* means to select traffic from either the protecting line or the working line.

- Unidirectional switching, where one set of line terminating equipment (LTE) can switch the line independent of the other LTE. Bidirectional switching (where both sets of LTEs perform a coordinated switch) is not supported.
- Revertive switching. You can enable automatic switchover from the protecting line to the working line after the working line becomes available.

If the working circuit is disrupted or the bit error rates on the working circuit exceed the configured thresholds, traffic is automatically switched over to the protecting circuit. Any physical or logical characteristics configured for the working port are applied to the protecting port. This includes the IP address and netmask configured for the interface, spanning tree protocol (STP), per-VLAN spanning tree (PVST), etc.

Configuring Working and Protecting Ports

APS on the XP requires configuration of a working port and a corresponding protecting port. You can configure any number of PoS ports. The limit is the number of PoS ports on the XP. Any port on any module can be configured for APS. If one module should go down, the remaining ports on other modules will remain operational.

Note: The working and protecting ports must reside on the *same* XP. You *cannot* configure APS operation for working and protecting ports on two *different* XPs.

Note: PPP does not renegotiate when you hotswap a POS card (with APS enabled) or if either end of a connection goes down. To renegotiate PPP, the system must reboot at both ends.

The working port must:

- Be associated with a point-to-point IP interface that is configured with an IP address and netmask. See *Configuring Packet-over-SONET Links* on page 88 for the details on configuring the interface.

The protecting port must:

- Be in the default VLAN. This means that the protecting port must *not* be configured for an interface.
- Not have any explicitly configured parameters. The protecting port inherits the configuration of the working port.

To configure a working and a protecting PoS port, enter the following command in Configure mode:

Configure working and protecting PoS ports.	sonet set <working-port> protection 1+1 protected-by <protecting-port>
---	--

To manage the working and protecting PoS interfaces, enter the following commands in Configure mode:

Prevent a working interface from switching to a protecting port. This command can only be applied to a port configured as a protecting port.	sonet set <port> protection-switch lockoutprot
Force a switch to the specified port. This command can be applied to either the working or protecting port.	sonet set <port> protection-switch forced
Manually switch the line to the specified port. This command can be applied to either the working or protecting port.	sonet set <port> protection-switch manual

Note: You can only specify one option, **lockoutprot**, **forced** or **manual**, for a port. Also, an option can be applied to *either* the working port or the protecting port, but not *both* working and protecting ports at the same time.

To return the circuit to the working interface after the working interface becomes available, enter the following commands in Configure mode:

Enable automatic switchover from the protecting interface to the working interface after the working interface becomes available. This command can only be applied to a protecting port.	sonet set <port> reverting revertive nonrevertive
Sets the number of minutes after the working interface becomes available that automatic switchover from the protecting interface to the working interface takes place. The default value is 5 minutes.	sonet set <port> WTR-timer <minutes>

Specifying Bit Error Rate Thresholds

If the bit error rate (BER) on the working line exceeds one of the configured thresholds, the receiver automatically switches over to the protecting line.

BER is calculated with the following:

$$\text{BER} = \text{errored bits received} / \text{total bits received}$$

The default BER thresholds are:

- Signal degrade BER threshold of 10^{-6} (1 out of 1,000,000 bits transmitted is in error). Signal degrade is associated with a “soft” failure. Signal degrade is determined when the BER exceeds the configured rate.
- Signal failure BER threshold of 10^{-3} (1 out of 1,000 bits transmitted is in error). Signal failure is associated with a “hard” failure. Signal fail is determined when any of the following conditions are detected: loss of signal (LOS), loss of frame (LOF), line alarm indication bridge and selector signal (AIS-L), or the BER threshold exceeds the configured rate.

To specify different BER thresholds, enter the following commands in Enable mode:

Specify signal degrade BER threshold.	sonet set <port> sd-ber <number>
Specify signal failure BER threshold.	sonet set <port> sf-ber <number>

Monitoring PoS Ports

To display PoS port configuration information, enter one of the following commands in Enable mode:

Show framing status, line type, and circuit ID of the optical link.	sonet show medium <i><port list></i>
Show working or protecting line, direction, and switch status.	sonet show aps <i><port list></i>
Show received path trace.	sonet show pathtrace <i><port list></i>
Show loopback status.	sonet show loopback <i><port list></i>

The following table describes additional monitoring commands for IP interfaces for PoS links, designed to be used in Enable mode:

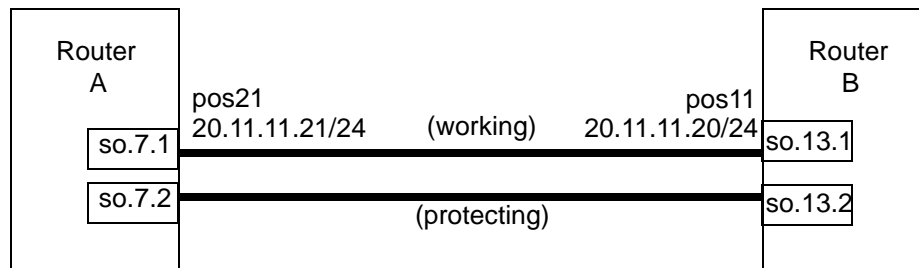
Display bridge NCP statistics for specified PoS port.	ppp show stats port <i><port name></i> bridge-ncp
Display IP NCP statistics for specified PoS port.	ppp show stats port <i><port name></i> ip-ncp
Display link-status statistics for specified PoS port.	ppp show stats port <i><port name></i> link-status
Display summary information for specified PoS port.	ppp show stats port <i><port name></i> summary

Example Configurations

This section shows example configurations for PoS links.

APS PoS Links Between XPs

The following example shows APS PoS links between two XPs, router A and router B.



Note: PPP does not renegotiate when you hotswap a POS card (with APS enabled) or if either end of a connection goes down. To renegotiate PPP, the system must reboot at both ends.

The following is the configuration for router A:

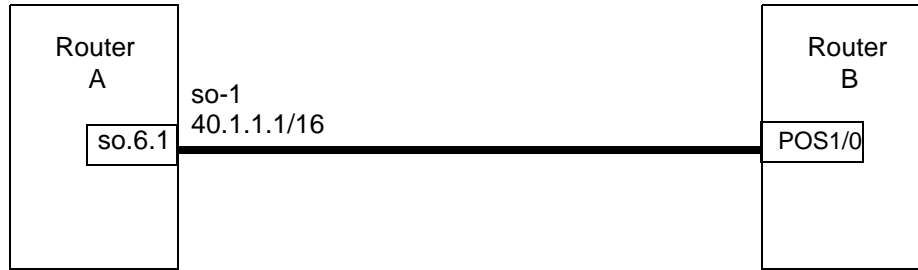
```
interface create ip pos21 address-netmask 20.11.11.21/24 peer-address 20.11.11.20 type point-to-point port so.7.1
sonet set so.7.1 protection 1+1 protected-by so.7.2
```

The following is the configuration for router B:

```
interface create ip pos11 address-netmask 20.11.11.20/24 peer-address 20.11.11.21 type point-to-point port so.13.1
sonet set so.13.1 protection 1+1 protected-by so.13.2
```

PoS Link Between the XP and a Cisco Router

The following example shows a PoS link between an XP, router A, and a Cisco 12000 series Gigabit Switch Router, router B. The MTU on both routers is configured for same size of 9216 octets.



The following is the configuration for router A:

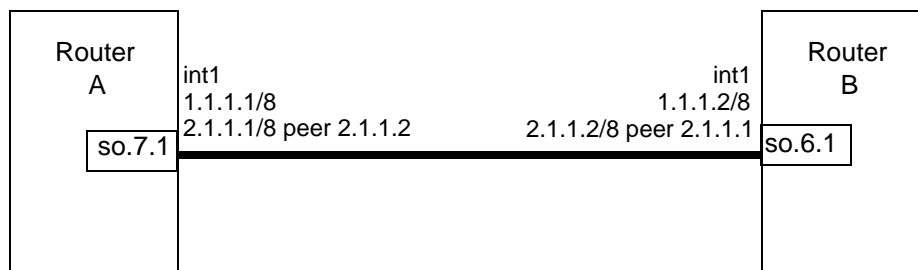
```
port set so.6.1 mtu 9216
interface create ip so-1 address-netmask 40.1.1.1/16 port so.6.1
```

The following is the configuration for router B:

```
interface POS1/0
mtu 9216
ip address 40.1.1.2 255.255.0.0
no ip directed-broadcast
encapsulation ppp
crc 32
pos scramble-atm
pos flag c2 22
```

Bridging and Routing Traffic Over a PoS Link

The following example shows how to configure a VLAN 'v1' that includes the PoS ports on two connected XPs, router A and router B. Bridged or routed traffic is transmitted over the PoS link.



The following is the configuration for router A:

```
port set so.7.1 mtu 65535
stp enable port so.7.1
vlan create v1 port-based id 10
vlan add ports so.7.1 to v1
interface create ip int1 address-netmask 1.1.1.1/8 vlan v1
interface add ip int1 address-netmask 2.1.1.1/8 peer-address 2.1.1.2
```

The following is the configuration for router B:

```
port set so.6.1 mtu 65535
stp enable port so.6.1
vlan create v1 port-based id 10
vlan add ports so.6.1 to v1
interface create ip int1 address-netmask 1.1.1.2/8 vlan v1
interface add ip int1 address-netmask 2.1.1.2/8 peer-address 2.1.1.1
```


Chapter 10

DHCP Configuration Guide

DHCP Overview

The Dynamic Host Configuration Protocol (DHCP) server on the XP provides dynamic address assignment and configuration to DHCP capable end-user systems, such as Windows 95/98/NT and Apple Macintosh systems. You can configure the server to provide a dynamic IP address from a pre-allocated pool of IP addresses or a static IP address. You can also configure parameters for use by the clients, such as default gateway and network masks, and system-specific parameters, such as NetBIOS Name Server and NetBIOS node type of the client.

The amount of time that a particular IP address is valid for a system is called a *lease*. The XP maintains a *lease database* which contains information about each assigned IP address, the MAC address to which it is assigned, the lease expiration, and whether the address assignment is dynamic or static. The DHCP lease database is stored in flash memory and can be backed up on a remote TFTP or RCP server. You can configure the intervals at which updates to the lease database (and backup) are done. Upon system reboot, the lease database will be loaded either from flash memory or from the TFTP or RCP server.

Note: Because the Command Line Interface does not validate the RCP and TFTP remote host addresses and passwords during DHCP configuration, you must ensure that you specify them correctly.

Note: The XP DHCP server is not designed to work as the primary DHCP server in an enterprise environment with hundreds or thousands of clients that are constantly seeking IP address assignment or reassignment. A standalone DHCP server with a redundant backup server may be more suitable for this enterprise environment.

Configuring DHCP

By default, the DHCP server is not enabled on the XP. You can selectively enable DHCP service on particular interfaces and not others. To enable DHCP service on an interface, you must first define a DHCP *scope*. A scope consists of a pool of IP addresses and a set of parameters for a DHCP client. The parameters are used by the client to configure its network environment, for example, the default gateway and DNS domain name.

To configure DHCP on the XP, you must configure an IP address pool, client parameters, and optional static IP address for a specified scope. Where several subnets are accessed through a single port, you can also define multiple scopes on the same interface and group the scopes together into a *superscope*.

Note: Although there is no imposed limit to the number of scopes you may define, the number of addresses allowed per scope depends on the amount of memory available. For example, systems with 128 mb of memory installed may include up to 253 addresses per scope—systems with more than 128 mb of memory may include up to 65,536 addresses per scope.

Configuring an IP Address Pool

To define a pool of IP addresses that the DHCP server can assign to a client, enter the following command in Configure mode:

Define pool of IP addresses to be used by clients.	dhcp <scope> define pool <ip-range>
--	---

Configuring Client Parameters

You can configure the client parameters shown in the table below.

Table 6. Client Parameters

Parameter	Value
address-mask	Address/netmask of the scope's subnet (This parameter is <i>required</i> and must be defined <i>before</i> any other client parameters are specified.)
broadcast	Broadcast address
bootfile	Client boot file name
dns-domain	DNS domain name
dns-server	IP address of DNS server
gateway	IP address of default gateway

Table 6. Client Parameters

Parameter	Value
lease-time	Amount of time the assigned IP address is valid for the system
netbios-name-server	IP address of NetBIOS Name Server (WINS server)
netbios-node-type	NetBIOS node type of the client
netbios-scope	NetBIOS scope of the client

Note: The DHCP server does not currently specify BootP server addresses to requesting clients.

To define the parameters that the DHCP server gives the clients, enter the following command in Configure mode:

Define client parameters.	dhcp <scope> define parameters <parameter> <value>...
---------------------------	---

Configuring a Static IP Address

To define a static IP address that the DHCP server can assign to a client with a specific MAC address, enter the following command in Configure mode:

Define static IP address for a particular MAC address.	dhcp <scope> define static-ip <ipaddr> mac-address <macaddr> [<parameter> <value>...]
--	--

Grouping Scopes with a Common Interface

You can apply several scopes to the same physical interface. For example, scopes can define address pools on different subnets that all are accessed through the same XP port. In this case, scopes that use the same interface must be grouped together into a “superscope.”

To attach a scope to a superscope, enter the following command in Configure mode:

Attach a scope to a superscope.	dhcp <scope> attach superscope <name>
---------------------------------	---

Note: Although there is no imposed limit to the number of scopes you may define, the number of addresses allowed per scope depends on the amount of memory available. For example, systems with 128 mb of memory installed may include up to 253 addresses per scope—systems with more than 128 mb of memory may include up to 65,536 addresses per scope.

Note: The DHCP server does not process packets that arrive on PPP MLP interfaces.

Configuring DHCP Server Parameters

You can configure several “global” parameters that affect the behavior of the DHCP server itself. To configure global DHCP server parameters, enter the following commands in Configure mode:

Specify a remote location to back up the lease database.	dhcp global set lease-database <url>
Specify the intervals at which the lease database is updated.	dhcp global set commit-interval <hours>

Updating the Lease Database

After each client transaction, the DHCP server does not immediately update the information in the lease database. Lease update information is stored in flash memory and flushed to the database at certain intervals. You can use the **dhcp global set commit-interval** command to specify this interval; the default is one hour.

To force the DHCP server to immediately update its lease database, enter the following command in Enable mode:

Force the server to update its lease database.	dhcp flush
--	-------------------

Monitoring the DHCP Server

To display information from the lease database:

Show lease database information.	dhcp show binding [active expired static]
----------------------------------	--

To display the number of allocated bindings for the DHCP server and the maximum number allowed:

Show the number of allocated bindings for the DHCP server.	dhcp show num-clients
--	------------------------------

DHCP Configuration Examples

The following configuration describes DHCP configuration for a simple network with just one interface on which DHCP service is enabled to provide both dynamic and static IP addresses.

1. Create an IP VLAN called 'client_vlan'.

```
vlan create client_vlan ip
```

2. Add all Fast Ethernet ports in the XP to the VLAN 'client_vlan'.

```
vlan add port et.*.* to client_vlan
```

3. Create an IP interface called 'clients' with the address 10.1.1.1 for the VLAN 'client_vlan'.

```
interface create ip clients address-netmask 10.1.1.1/16 vlan client_vlan
```

4. Define DHCP network parameters for the scope 'scope1'.

```
dhcp scope1 define parameters address-netmask 10.1.0.0/16 gateway 10.1.1.1 lease-time 24 dns-domain acme.com dns-server 10.2.45.67 netbios-name-server 10.1.55.60
```

5. Define an IP address pool for addresses 10.1.1.10 through 10.1.1.20.

```
dhcp scope1 define pool 10.1.1.10-10.1.1.20
```

6. Define another IP address pool for addresses 10.1.1.40 through 10.1.1.50.

```
dhcp scope1 define pool 10.1.1.40-10.1.1.50
```

7. Define a static IP address for 10.1.7.5.

```
dhcp scope1 define static-ip 10.1.7.5 mac-address 08:00:20:11:22:33
```

8. Define another static IP address for 10.1.7.7. and give it a specific gateway address of 10.1.1.2.

```
dhcp scope1 define static-ip 10.1.7.7 mac-address 08:00:20:aa:bb:cc:dd gateway 10.1.1.2
```

9. Specify a remote lease database on the TFTP server 10.1.89.88.

```
dhcp global set lease-database tftp://10.1.89.88/lease.db
```

10. Specify a database update interval of every 15 minutes.

```
dhcp global set commit-interval 15
```

Configuring Secondary Subnets

In some network environments, multiple logical subnets can be imposed on a single physical segment. These logical subnets are sometimes referred to as “secondary subnets” or “secondary networks.” For these environments, the DHCP server may need to give out addresses on different subnets. The DNS server, DNS domain, and WINS server may be the same for clients on different secondary subnets, however, the default gateway will most likely be different since it must be a router on the client’s local subnet.

The following example shows a simple configuration to support secondary subnets 10.1.x.x and 10.2.x.x.

1. Define the network parameters for ‘scope1’ with the default gateway 10.1.1.1.

```
dhcp scope1 define parameters address-netmask 10.1.0.0/16 gateway 10.1.1.1 dns-domain
acme.com dns-server 10.1.44.55
```

2. Define the address pool for ‘scope1’.

```
dhcp scope1 define pool 10.1.1.10-10.1.1.20
```

3. Define the network parameters for ‘scope2’ with the default gateway 10.2.1.1.

```
dhcp scope2 define parameters address-netmask 10.2.0.0/16 gateway 10.2.1.1 dns-domain
acme.com dns-server 10.1.77.88
```

4. Define the address pool for ‘scope2’.

```
dhcp scope2 define pool 10.2.1.40-10.2.1.50
```

5. Create a superscope ‘super1’ that includes ‘scope1’.

```
dhcp scope1 attach superscope super1
```

6. Include ‘scope2’ in the superscope ‘super1’.

```
dhcp scope2 attach superscope super1
```

Since there are multiple pools of IP addresses, the pool associated with ‘scope1’ is used first since ‘scope1’ is applied to the interface before ‘scope2’. Clients that are given an address from ‘scope1’ will also be given parameters from ‘scope1,’ which includes the default gateway 10.1.1.1 that resides on the 10.1.x.x subnet. When all the addresses for ‘scope1’ are assigned, the server will start giving out addresses from ‘scope2’ which will include the default gateway parameter 10.2.1.1 on subnet 10.2.x.x.

Secondary Subnets and Directly-Connected Clients

A directly-connected client is a system that resides on the same physical network as the DHCP server and does not have to go through a router or relay agent to communicate with the server. If you configure the DHCP server on the XP to service directly-connected clients on a secondary subnet, you must configure the secondary subnet using the **interface add ip** command. The **interface add ip** command configures a secondary address for an interface that was previously created with the **interface create ip** command.

The following example shows a simple configuration to support directly-connected clients on a secondary subnet.

1. Create an interface 'clients' with the primary address 10.1.1.1.

```
interface create ip clients address-mask 10.1.1/16 port et.1.1
```

2. Assign a secondary address 10.2.1.1 to the interface 'clients'.

```
interface add ip clients address-mask 10.2.1/16
```

3. Define the network parameters for 'scope1' with the default gateway 10.1.1.1.

```
dhcp scope1 define parameters address-netmask 10.1.0/16 gateway 10.1.1.1 dns-domain  
acme.com dns-server 10.1.44.55
```

4. Define the address pool for 'scope1'.

```
dhcp scope1 define pool 10.1.1.10-10.1.1.20
```

5. Define the network parameters for 'scope2' with the default gateway 10.2.1.1.

```
dhcp scope2 define parameters address-netmask 10.2.0/16 gateway 10.2.1.1 dns-domain  
acme.com dns-server 10.1.77.88
```

6. Define the address pool for 'scope2'.

```
dhcp scope2 define pool 10.2.1.40-10.2.1.50
```

7. Create a superscope 'super1' that includes 'scope1'.

```
dhcp scope1 attach superscope super1
```

8. Include 'scope2' in the superscope 'super1'.

```
dhcp scope2 attach superscope super1
```

For clients on the secondary subnet, the default gateway is 10.2.1.1, which is also the secondary address for the interface 'clients'.

Interacting with Relay Agents

For clients that are not directly connected to the DHCP server, a relay agent (typically a router) is needed to communicate between the client and the server. The relay agent is usually only needed during the initial leasing of an IP address. Once the client obtains an IP address and can connect to the network, the renewal of the lease is performed between the client and server without the help of the relay agent.

The default gateway for the client must be capable of reaching the XP's DHCP server. The XP must also be capable of reaching the client's network. The route must be configured (with static routes, for example) or learned (with RIP or OSPF, for example) so that the DHCP server can reach the client.

The following example shows a simple configuration to support clients across a relay agent.

1. Create an interface 'clients' with the primary address 10.1.1.1.

```
interface create ip clients address-mask 10.1.1/16 port et.3.3
```

2. Define a static route to the 10.5.x.x. subnet using the gateway 10.1.7.10 which tells the DHCP server how to send packets to the client on the 10.5.x.x subnet.

```
ip add route 10.5.0.0/16 gateway 10.1.7.10
```

3. Define the network parameters for 'scope1' with the default gateway 10.5.1.1 (the relay agent for the client).

```
dhcp scope1 define parameters address-netmask 10.5.0.0/16 gateway 10.5.1.1 dns-domain  
acme.com
```

4. Define the address pool for 'scope1'.

```
dhcp scope1 define pool 10.5.1.10-10.5.1.20
```

Chapter 11

IP Routing Configuration Guide

The XP supports standards-based TCP, UDP, and IP. This chapter describes how to configure IP interfaces and general non-protocol-specific routing parameters.

IP Routing Protocols

The XP supports standards-based unicast and multicast routing. Unicast routing protocol support includes Interior Gateway Protocols and Exterior Gateway Protocols. Multicast routing protocols are used to determine how multicast data is transferred in a routed environment.

Unicast Routing Protocols

Interior Gateway Protocols are used for routing networks that are within an “autonomous system,” a network of relatively limited size. All IP interior gateway protocols must be specified with a list of associated networks before routing activities can begin. A routing process listens to updates from other routers on these networks and broadcasts its own routing information on those same networks. The XP supports the following Interior Gateway Protocols:

- Routing Information Protocol (RIP) Version 1, 2 (RFC 1058, 1723). Configuring RIP for the XP is described in [Chapter 13](#).
- Open Shortest Path First (OSPF) Version 2 (RFC 1583). Configuring OSPF for the XP is described in [Chapter 14](#).

Exterior Gateway Protocols are used to transfer information between different “autonomous systems”. The XP supports the following Exterior Gateway Protocol:

- Border Gateway Protocol (BGP) Version 3, 4 (RFC 1267, 1771). Configuring BGP for the XP is described in [Chapter 15](#).

Multicast Routing Protocols

IP multicasting allows a host to send traffic to a subset of all hosts. These hosts subscribe to group membership, thus notifying the XP of participation in a multicast transmission.

Multicast routing protocols are used to determine which routers have directly attached hosts, as specified by IGMP, that have membership to a multicast session. Once host memberships are determined, routers use multicast routing protocols, such as DVMRP, to forward multicast traffic between routers.

The XP supports the following multicast routing protocols:

- Distance Vector Multicast Routing Protocol (DVMRP) RFC 1075
- Internet Group Management Protocol (IGMP) as described in RFC 2236

The XP also supports the latest DVMRP Version 3.0 draft specification, which includes mtrace, Generation ID and Pruning/Grafting. Configuring multicast routing for the XP is described in [Chapter 17](#).

Configuring IP Interfaces and Parameters

You can configure an IP interface to a single port or to a VLAN. This section provides an overview of configuring IP interfaces.

Interfaces on the XP are logical interfaces. Therefore, you can associate an interface with a single port or with multiple ports:

- To associate an interface with a single port, use the **port** option with the **interface create** command.
- To associate an interface with multiple ports, first create an IP VLAN and add ports to it, then use the **vlan** option with the **interface create** command.

The **interface create ip** command creates and configures an IP interface. Configuration of an IP interface can include information such as the interface's name, IP address, netmask, broadcast address, and so on. You can also create an interface in a disabled (**down**) state instead of the default enabled (**up**) state.

Note: You must use either the **port** option or the **vlan** option with the **interface create** command.

Configuring IP Interfaces to Ports

You can configure an IP interface directly to a physical port. Each port can be assigned multiple IP addresses representing multiple subnets connected to the physical port. For example, to assign an IP interface 'RED' to physical port et.3.4, enter the following:

```
xp(config)# interface create ip RED address-netmask 10.50.0.0/255.255.0.0 port et.3.4
```

To configure a secondary address of 10.23.4.36 with a 24-bit netmask (255.255.255.0) on the IP interface int4:

```
xp(config)# interface add ip int4 address-mask 10.23.4.36/24
```

Configuring IP Interfaces for a VLAN

You can configure one IP interface per VLAN. Once an IP interface has been assigned to a VLAN, you can add a secondary IP address to the VLAN. To create a VLAN called IP3, add ports et.3.1 through et.3.4 to the VLAN, then create an IP interface on the VLAN:

```
xp(config)# vlan create IP3 ip
```

```
xp(config)# vlan add ports et.3.1-4 to IP3
```

```
xp(config)# interface create ip int3 address-mask 10.20.3.42/24 vlan IP3
```

To configure a secondary address of 10.23.4.36 with a 24-bit netmask (255.255.255.0) on the IP interface int4:

```
xp(config)# interface add ip int3 address-mask 10.23.4.36/24 vlan IP3
```

Specifying Ethernet Encapsulation Method

The Enterasys X-Pedition supports two encapsulation types for IP. Use the **interface create ip** command to configure one of the following encapsulation types on a per-interface basis:

- Ethernet II: The standard ARPA Ethernet Version 2.0 encapsulation, which uses a 16-bit protocol type code (the default encapsulation method).
- 802.3 SNAP: SNAP IEEE 802.3 encapsulation, in which the type code becomes the frame length for the IEEE 802.2 LLC encapsulation (destination and source Service Access Points, and a control byte).

Configuring Jumbo Frames

Certain XP line cards support jumbo frames (frames larger than the standard Ethernet frame size of 1518 bytes).

To transmit frames of up to 65535 octets, you increase the maximum transmission unit (MTU) size from the default of 1500. You must set the MTU at the port level with the **port set mtu** command. You can also set the MTU at the IP interface level; if you set the MTU at the IP interface level, the MTU size must be less than the size configured for each port in the interface. Note that the interface MTU only determines the size of the packets that are forwarded in software.

In the following example, the ports gi.3.1 through gi.3.8 are configured with an MTU size of 65535 octets. Ports gi.3.1 through gi.3.4 are configured to be part of the interface 'int3,' with an MTU size of 65000 octets.

```
xp(config)# port set gi.3.1-8 mtu 65535
xp(config)# vlan create JUMBO1 ip
xp(config)# vlan add ports gi.3.1-4 to JUMBO1
xp(config)# interface create ip int3 mtu 50000 address-mask 10.20.3.42/24 vlan JUMBO1
```

If you do *not* set the MTU at the interface level, the actual MTU of the interface is the lowest MTU configured for a port in the interface. In the following example, port gi.3.1 is configured with an MTU size of 50022 octets while ports gi.3.2-8 are configured with an MTU size of 65535 octets. The interface MTU will be 50000 octets (50022 octets minus 22 octets of link layer overhead).

```
xp(config)# port set gi.3.1 mtu 50022
xp(config)# port set gi.3.2-8 mtu 65535
xp(config)# vlan create JUMBO1 ip
xp(config)# vlan add ports gi.3.1-4 to JUMBO1
xp(config)# interface create ip int3 address-mask 10.20.3.42/24 vlan JUMBO1
```

Configuring Address Resolution Protocol (ARP)

The XP allows you to configure Address Resolution Protocol (ARP) table entries and parameters. ARP is used to associate IP addresses with media or MAC addresses. Taking an IP address as input, ARP determines the associated MAC address. Once a media or MAC address is determined, the IP address/media address association is stored in an ARP cache for rapid retrieval. Then the IP datagram is encapsulated in a link-layer frame and sent over the network.

Configuring ARP Cache Entries

To create an ARP entry for the IP address 10.8.1.2 at port et.4.7 for 15 seconds:

```
xp# arp add 10.8.1.2 mac-addr 08:00:20:a2:f3:49 exit-port et.4.7 keep-time 15
```

To create a permanent ARP entry for the host *nfs2* at port et.3.1:

```
xp(config)# arp add nfs2 mac-addr 080020:13a09f exit-port et.3.1
```

To remove the ARP entry for the host 10.8.1.2 from the ARP table:

```
xp# arp clear 10.8.1.2
```

To clear the entire ARP table.

```
xp# arp clear all
```

If the Startup configuration file contains **arp add** commands, the Control Module re-adds the ARP entries even if you have cleared them using the **arp clear** command. To permanently remove an ARP entry, use the **negate** command or **no** command to remove the entry.

Unresolved MAC Addresses for ARP Entries

When the XP receives a packet for a host whose MAC address it has not resolved, the XP tries to resolve the next-hop MAC address by sending ARP requests. Five requests are sent initially for each host, one every second.

You can configure the XP to drop packets for hosts whose MAC addresses the XP has been unable to resolve. To enable dropping of packets for hosts with unresolved MAC addresses:

```
xp# arp set drop-unresolved enabled
```

When you enable packets to be dropped for hosts with unresolved MAC addresses, the XP will still attempt to periodically resolve these MAC addresses. By default, the XP sends ARP requests at 30-second intervals to try to resolve up to 50 dropped entries.

To change the interval for sending ARP requests for unresolved entries to 45 seconds:

```
xp# arp set unresolve-timer 45
```

To change the number of unresolved entries that the XP attempts to resolve to 75:

```
xp# arp set unresolve-threshold 75
```

Configuring Proxy ARP

The XP can be configured for proxy ARP. The XP uses proxy ARP (as defined in RFC 1027) to help hosts with no knowledge of routing determine the MAC address of hosts on other networks or subnets. Through proxy ARP, the XP will respond to ARP requests from a host with a ARP reply packet containing the XP MAC address. Proxy ARP is enabled by default on the XP. The following example disables proxy ARP on all interfaces:

```
xp(config)# ip disable-proxy-arp interface all
```

Configuring Reverse Address Resolution Protocol (RARP)

Reverse Address Resolution Protocol (RARP) works exactly the opposite of ARP. Taking a MAC address as input, RARP determines the associated IP address. RARP is useful for X-terminals and diskless workstations that may not have an IP address when they boot. They can submit their MAC address to a RARP server on the XP, which returns an IP address.

Configuring RARP on the XP consists of two steps:

1. Letting the XP know which IP interfaces to respond to
2. Defining the mappings of MAC addresses to IP addresses

Specifying IP Interfaces for RARP

The **rarpd set interface** command allows you to specify which interfaces the XP's RARP server responds to when sent RARP requests. You can specify individual interfaces or all interfaces. To cause the XP's RARP server to respond to RARP requests from interface int1:

```
xp(config)# rarpd set interface int1
```

Defining MAC-to-IP Address Mappings

The **rarpd add** command allows you to map a MAC address to an IP address for use with RARP. When a host makes a RARP request on the XP, and its MAC address has been mapped to an IP address with the **rarpd add** command, the RARP server on the XP responds with the IP address that corresponds to the host's MAC address. To map MAC address 00:C0:4F:65:18:E0 to IP address 10.10.10.10:

```
xp(config)# rarpd add hardware-address 00:C0:4F:65:18:E0 ip-address 10.10.10.10
```

There is no limit to the number of address mappings you can configure.

Optionally, you can create a list of mappings with a text editor and then use TFTP to upload the text file to the XP. The format of the text file must be as follows:

```
MAC-address1 IP-address1
MAC-address2 IP-address2
...
MAC-addressn IP-addressn
```

Then place the text file on a TFTP server that the XP can access and enter the following command in Enable mode:

```
xp# copy tftp-server to ethers
TFTP server? <IPaddr-of-TFTP-server>
Source filename? <filename>
```

Monitoring RARP

You can use the following commands to obtain information about the XP's RARP configuration:

Display the interfaces to which the RARP server responds.	rarpd show interface
Display the existing MAC-to-IP address mappings	rarpd show mappings
Display RARP statistics.	statistics show rarp <InterfaceName> all

Configuring DNS Parameters

The XP can be configured to specify DNS servers, which supply name services for DNS requests. You can specify up to three DNS servers.

To configure three DNS servers and configure the XP's DNS domain name to "mrb.com":

```
xp(config)# system set dns server "10.1.2.3 10.2.10.12 10.3.4.5" domain mrb.com
```

Configuring IP Services (ICMP)

The XP provides ICMP message capabilities including ping and traceroute. The **ping** command allows you to determine the reachability of a certain IP host, while the **traceroute** command allows you to trace the IP gateways to an IP host.

Configuring IP Helper

The **ip helper-address** command allows the user to forward specific UDP broadcast from one interface to another. Typically, broadcast packets from one interface are not forwarded (routed) to another interface. However, some applications use UDP broadcast to detect the availability of a service. Other services, for example BOOTP/DHCP require broadcast packets to be routed so that they can provide services to clients on another subnet. An IP helper can be configured on each interface to have UDP broadcast packets forwarded to a specific host for a specific service or forwarded to all other interfaces.

You can configure the XP to forward UDP broadcast packets received on a given interface to all other interfaces or to a specified IP address. You can specify a UDP port number for which UDP broadcast packets with that destination port number will be forwarded. By default, if no UDP port number is specified, the XP will forward UDP broadcast packets for the following six services:

- BOOTP/DHCP (port 67 and 68)
- DNS (port 37)
- NetBIOS Name Server (port 137)
- NetBIOS Datagram Server (port 138)
- TACACS Server (port 49)
- Time Service (port 37)

To forward UDP broadcast packets received on interface int1 to the host 10.1.4.5 for the six default UDP services:

```
xp(config)# ip helper-address interface int1 10.1.4.5
```

To forward UDP broadcast packets received on interface int2 to the host 10.2.48.8 for packets with the destination port 111 (port mapper):

```
xp(config)# ip helper-address interface int2 10.2.48.8 111
```

To forward UDP broadcast packets received on interface int3 to all other interfaces:

```
xp(config)# ip helper-address interface int3 all-interfaces
```

Configuring Direct Broadcast

Directed broadcast packets are network or subnet broadcast packets which are sent to a router to be forwarded as broadcast packets. They can be misused to create Denial Of Service attacks. The XP protects against this possibility by *not* forwarding directed broadcasts, by default. To enable the forwarding of directed broadcasts, use the **ip enable directed-broadcast** command.

You can configure the XP to forward all directed broadcast traffic from the local subnet to a specified IP address or all associated IP addresses. This is a more efficient method than defining only one local interface and remote IP address destination at a time with the **ip-helper** command when you are forwarding traffic from more than one interface in the local subnet to a remote destination IP address.

To enable directed broadcast forwarding on the “int4” network interface:

```
xp(config)# ip enable directed-broadcast interface int4
```

Configuring Denial of Service (DOS)

By default, the XP installs flows in the hardware so that packets sent as directed broadcasts are dropped in hardware, if directed broadcast is not enabled on the interface where the packet is received. You can disable this feature, causing directed broadcast packets to be processed on the XP even if directed broadcast is not enabled on the interface receiving the packet.

Similarly, the XP installs flows to drop packets destined for the XP for which service is not provided by the XP. This prevents packets for unknown services from slowing the CPU. You can disable this behavior, causing these packets to be processed by the CPU.

To cause directed broadcast packets to be processed on the XP, even if directed broadcast is not enabled on the interface receiving the packet:

```
xp(config)# ip dos disable directed-broadcast-protection
```

To allow packets destined for the XP, but do not have a service defined for them on the XP, to be processed by the XP's CPU:

```
xp(config)# ip dos disable port-attack-protection
```

Monitoring IP Parameters

The XP provides display of IP statistics and configurations contained in the routing table. Information displayed provides routing and performance information.

The **ip show** commands display IP information, such as routing tables, TCP/UDP connections, and IP interface configuration, on the XP. The following example displays all established connections and services of the XP.

```
xp# ip show connections
Active Internet connections (including servers)
Proto Recv-Q Send-Q Local Address      Foreign Address    (state)
tcp    0    0 *:gated-gii       *:*                LISTEN
tcp    0    0 *:http            *:*                LISTEN
tcp    0    0 *:telnet          *:*                LISTEN
udp    0    0 127.0.0.1:1025    127.0.0.1:162
udp    0    0 *:snmp            *:*
udp    0    0 *:snmp-trap       *:*
udp    0    0 *:bootp-relay     *:*
udp    0    0 *:route           *:*
udp    0    0 *::*              *:*
```

The following example displays the contents of the routing table. It shows that some of the route entries are for locally connected interfaces (“directly connected”), while some of the other routes are learned from RIP.

```
xp# ip show routes
Destination      Gateway          Owner  Netif
-----
10.1.0.0/16      50.1.1.2        RIP    to-linux2
10.2.0.0/16      50.1.1.2        RIP    to-linux2
10.3.0.0/16      50.1.1.2        RIP    to-linux2
10.4.0.0/16      50.1.1.2        RIP    to-linux2
14.3.2.1         61.1.4.32       Static int61
21.0.0.0/8       50.1.1.2        RIP    to-linux2
30.1.0.0/16      directly connected -      to-goya
50.1.0.0/16      directly connected -      to-linux2
61.1.0.0/16      directly connected -      int61
62.1.0.0/16      50.1.1.2        RIP    to-linux2
68.1.0.0/16      directly connected -      int68
69.1.0.0/16      50.1.1.2        RIP    to-linux2
127.0.0.0/8      127.0.0.1       Static lo
127.0.0.1        127.0.0.1       -      lo
210.11.99.0/24   directly connected -      int41
```


To display additional IP information, enter the following command in Enable mode:

Show ARP table entries.	arp show all
Show IP interface configuration.	interface show ip
Show DNS parameters.	system show dns

Configuring Router Discovery

The router discovery server on the XP periodically sends out router advertisements to announce the existence of the XP to other hosts. The router advertisements are multicast or broadcast to each interface on the XP on which it is enabled and contain a list of the addresses on the interface and the preference of each address for use as a default route for the interface. A host can also send a router solicitation, to which the router discovery server on the XP will respond with a unicast router advertisement.

On systems that support IP multicasting, router advertisements are sent to the 'all-hosts' multicast address 224.0.0.1 by default. You can specify that broadcast be used, even if IP multicasting is available. When router advertisements are sent to the all-hosts multicast address or an interface is configured for the limited broadcast address 255.255.255.255, the router advertisement includes all IP addresses configured on the physical interface. When router advertisements are sent to a net or subnet broadcast, then only the address associated with the net or subnet is included.

To start router discovery on the XP, enter the following command in Configure mode:

```
xp(config)# rdisc start
```

The **rdisc start** command lets you start router discovery on the XP. When router discovery is started, the XP multicasts or broadcasts periodic router advertisements on each configured interface. The router advertisements contain a list of addresses on a given interface and the preference of each address for use as the default route on the interface. By default, router discovery is disabled.

The **rdisc add address** command lets you define addresses to be included in router advertisements. If you configure this command, only the specified hostname(s) or IP address(es) are included in the router advertisements. For example:

```
xp(config)# rdisc add address 10.10.5.254
```

By default, all addresses on the interface are included in router advertisements sent by the XP. The **rdisc add interface** command lets you enable router advertisement on an interface. For example:

```
xp(config)# rdisc add interface xp4
```

If you want to have only specific addresses included in router advertisements, use the **rdisc add address** command to specify those addresses.

The **rdisc set address** command lets you specify the type of router advertisement in which the address is included and the preference of the address for use as a default route. For example, to specify that an address be included only in broadcast router advertisements and that the address is ineligible to be a default route:

```
xp#(config) rdisc set address 10.20.36.0 type broadcast preference ineligible
```

The **rdisc set interface** command lets you specify the intervals between the sending of router advertisements and the lifetime of addresses sent in a router advertisement. To specify the maximum time between the sending of router advertisements on an interface:

```
xp#(config) rdisc set interface xp4 max-adv-interval 1200
```

To display router discovery information:

```
xp# rdisc show all

Task State: <Foreground NoResolv NoDetach> ❶

Send buffer size 2048 at 812C68F8
Recv buffer size 2048 at 812C60D0

Timers:

RouterDiscoveryServer Priority 30

RouterDiscoveryServer_XP2_XP3_IP <OneShot>
last: 10:17:21 next: 10:25:05 ❷

Task RouterDiscoveryServer:
Interfaces:
Interface XP2_XP3_IP: ❸
Group 224.0.0.1: ❹
minadvint 7:30 maxadvint 10:00 lifetime 30:00 ❺

Address 10.10.5.254: Preference: 0 ❻

Interface policy:
Interface XP2_XP3_IP* MaxAdvInt 10:00 ❼
```

Legend:

1. Information about the RDISC task.
2. Shows when the last router advertisement was sent and when the next advertisement will be sent.

3. The interface on which router advertisement is enabled.
4. Multicast address.
5. Current values for the intervals between the sending of router advertisements and the lifetime of addresses sent in a router advertisement.
6. IP address that is included in router advertisement. The preference of this address as a default route is 0, the default value.
7. Shows configured values for the specified interface.

Configuration Examples

Assigning IP/IPX Interfaces

To enable routing on the XP, you must assign an IP or IPX interface to a VLAN. To assign an IP or IPX interface named 'RED' to the 'BLUE' VLAN, enter the following command:

```
xp(config)# interface create ip RED address-netmask 10.50.0.1/255.255.0.0 vlan BLUE
```

You can also assign an IP or IPX interface directly to a physical port.

Note: The XP supports a maximum of 64 IPX interfaces.

Chapter 12

VRRP Configuration Guide

VRRP Overview

This chapter explains how to set up and monitor the Virtual Router Redundancy Protocol (VRRP) on the XP. VRRP is defined in RFC 2338.

End host systems on a LAN are often configured to send packets to a statically configured default router. If this default router becomes unavailable, all the hosts that use it as their first hop router become isolated on the network. VRRP provides a way to ensure the availability of an end host's default router.

This is done by assigning IP addresses that end hosts use as their default route to a “virtual router.” A Master router is assigned to forward traffic designated for the virtual router. If the Master router should become unavailable, a backup router takes over and begins forwarding traffic for the virtual router. As long as one of the routers in a VRRP configuration is up, the IP addresses assigned to the virtual router are always available, and the end hosts can send packets to these IP addresses without interruption.

Note: In some instances, a heavy load on a VRRP master may delay VRRP packet transmission and cause the backup router to assume the role of master.

Configuring VRRP

This section presents three sample VRRP configurations:

- A basic VRRP configuration with one virtual router
- A symmetrical VRRP configuration with two virtual routers
- A multi-backup VRRP configuration with three virtual routers

Basic VRRP Configuration

Figure 7 shows a basic VRRP configuration with a single virtual router. Routers R1 and R2 are both configured with one virtual router (VRID=1). Router R1 serves as the Master and Router R2 serves as the Backup. The four end hosts are configured to use 10.0.0.1/16 as the default route. IP address 10.0.0.1/16 is associated with virtual router VRID=1.

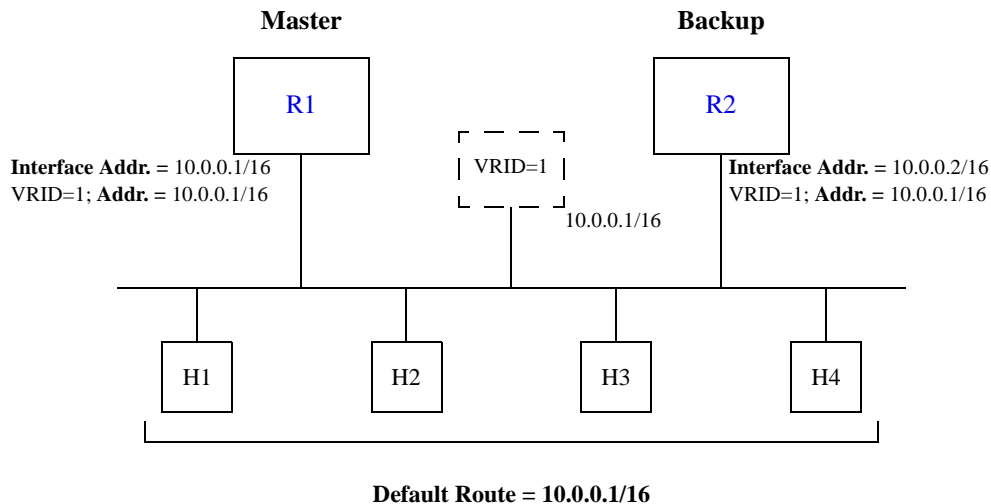


Figure 7. Basic VRRP Configuration

If Router R1 should become unavailable, Router R2 would take over virtual router VRID=1 and its associated IP addresses. Packets sent to 10.0.0.1/16 would go to Router R2. When Router R1 comes up again, it would take over as Master, and Router R2 would revert to Backup.

Note: In some instances, a heavy load on a VRRP master may delay VRRP packet transmission and cause the backup router to assume the role of master.

Configuration of Router R1

The following is the configuration file for Router R1 in Figure 7.

```
1: interface create ip test address-netmask 10.0.0.1/16 port et.1.1
2: ip-redundancy create vrrp 1 interface test
3: ip-redundancy associate vrrp 1 interface test address 10.0.0.1/16
4: ip-redundancy start vrrp 1 interface test
```

Line 1 adds IP address 10.0.0.1/16 to interface test, making Router R1 the owner of this IP address. Line 2 creates virtual router VRID=1 on interface test. Line 3 associates IP address 10.0.0.1/16 with virtual router VRID=1. Line 4 starts VRRP on interface test.

In VRRP, the router that owns the IP address associated with the virtual router is the Master. Any other routers that participate in this virtual router are Backups. In this configuration, Router R1 is the Master for virtual router VRID=1 because it owns 10.0.0.1/16, the IP address associated with virtual router VRID=1.

Configuration for Router R2

The following is the configuration file for Router R2 in [Figure 7](#).

```
1: interface create ip test address-netmask 10.0.0.2/16 port et.1.1
2: ip-redundancy create vrrp 1 interface test
3: ip-redundancy associate vrrp 1 interface test address 10.0.0.1/16
4: ip-redundancy start vrrp 1 interface test
```

The configuration for Router R2 is nearly identical to Router R1. The difference is that Router R2 does not own IP address 10.0.0.1/16. Since Router R2 does not own this IP address, it is the Backup. It will take over from the Master if it should become unavailable.

Symmetrical Configuration

[Figure 8](#) shows a VRRP configuration with two routers and two virtual routers. Routers R1 and R2 are both configured with two virtual routers (VRID=1 and VRID=2).

Router R1 serves as:

- Master for VRID=1
- Backup for VRID=2

Router R2 serves as:

- Master for VRID=2
- Backup for VRID=1

This configuration allows you to load-balance traffic coming from the hosts on the 10.0.0.0/16 subnet and provides a redundant path to either virtual router.

Note: This is the recommended configuration on a network using VRRP.

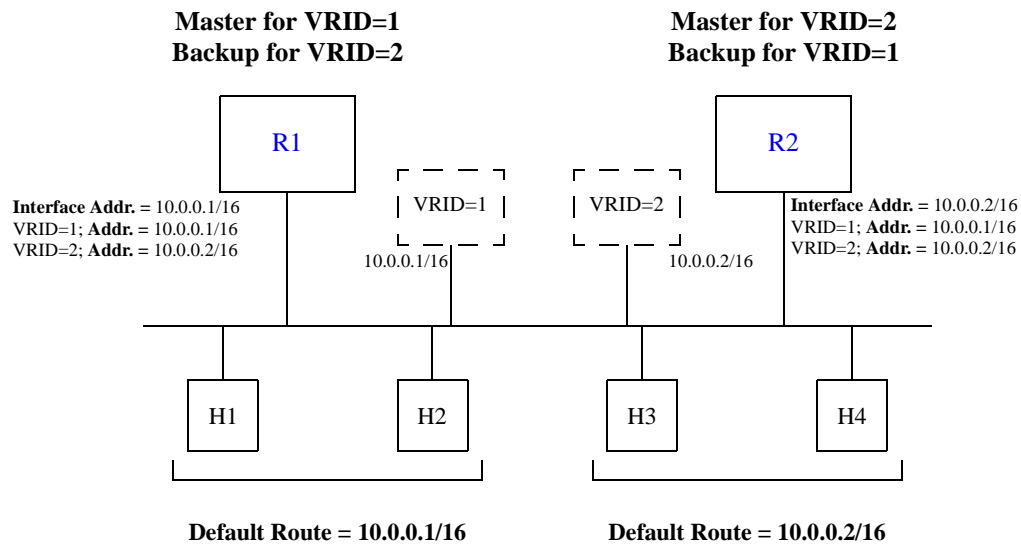


Figure 8. Symmetrical VRRP Configuration

In this configuration, half the hosts use 10.0.0.1/16 as their default route, and half use 10.0.0.2/16. IP address 10.0.0.1/16 is associated with virtual router VRID=1, and IP address 10.0.0.2/16 is associated with virtual router VRID=2.

If Router R1, the Master for virtual router VRID=1, goes down, Router R2 would take over the IP address 10.0.0.1/16. Similarly, if Router R2, the Master for virtual router VRID=2, goes down, Router R1 would take over the IP address 10.0.0.2/16.

Configuration of Router R1

The following is the configuration file for Router R1 in [Figure 8](#).

```

1: interface create ip test address-netmask 10.0.0.1/16 port et.1.1
!
2: ip-redundancy create vrrp 1 interface test
3: ip-redundancy create vrrp 2 interface test
!
4: ip-redundancy associate vrrp 1 interface test address 10.0.0.1/16
5: ip-redundancy associate vrrp 2 interface test address 10.0.0.2/16
!
6: ip-redundancy start vrrp 1 interface test
7: ip-redundancy start vrrp 2 interface test

```

Router R1 is the owner of IP address 10.0.0.1/16. Line 4 associates this IP address with virtual router VRID=1, so Router R1 is the Master for virtual router VRID=1.

On line 5, Router R1 associates IP address 10.0.0.2/16 with virtual router VRID=2. However, since Router R1 does not own IP address 10.0.0.2/16, it is not the default Master for virtual router VRID=2.

Configuration of Router R2

The following is the configuration file for Router R2 in [Figure 8](#).

```
1: interface create ip test address-netmask 10.0.0.2/16 port et.1.1
!
2: ip-redundancy create vrrp 1 interface test
3: ip-redundancy create vrrp 2 interface test
!
4: ip-redundancy associate vrrp 1 interface test address 10.0.0.1/16
5: ip-redundancy associate vrrp 2 interface test address 10.0.0.2/16
!
6: ip-redundancy start vrrp 1 interface test
7: ip-redundancy start vrrp 2 interface test
```

On line 1, Router R2 is made owner of IP address 10.0.0.2/16. Line 5 associates this IP address with virtual router VRID=2, so Router R2 is the Master for virtual router VRID=2. Line 4 associates IP address 10.0.0.1/16 with virtual router VRID=1, making Router R2 the Backup for virtual router VRID=1.

Multi-Backup Configuration

[Figure 9](#) shows a VRRP configuration with three routers and three virtual routers. Each router serves as a Master for one virtual router and as a Backup for each of the others. When a Master router goes down, one of the Backups takes over the IP addresses of its virtual router.

Note: In some instances, a heavy load on a VRRP master may delay VRRP packet transmission and cause the backup router to assume the role of master.

In a VRRP configuration where more than one router is backing up a Master, you can specify which Backup router takes over when the Master goes down by setting the priority for the Backup routers.

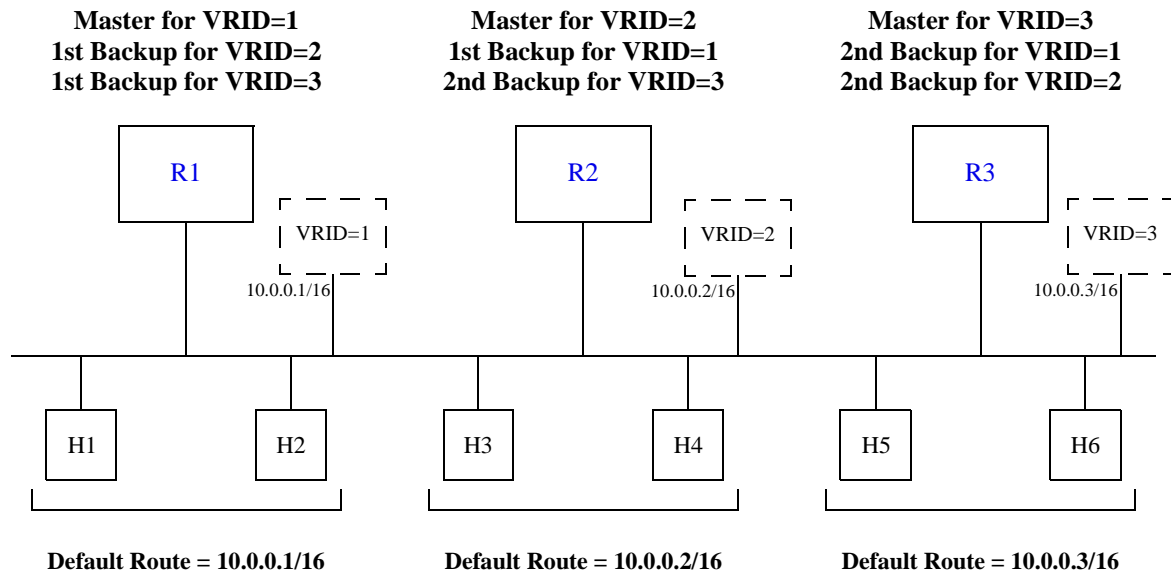


Figure 9. Multi-Backup VRRP Configuration

In this configuration, Router R1 is the Master for virtual router VRID=1 and the primary Backup for virtual routers VRID=2 and VRID=3. If Router R2 or R3 were to go down, Router R1 would assume the IP addresses associated with virtual routers VRID=2 and VRID=3.

Router R2 is the Master for virtual router VRID=2, the primary backup for virtual router VRID=1, and the secondary Backup for virtual router VRID=3. If Router R1 should fail, Router R2 would become the Master for virtual router VRID=1. If both Routers R1 and R3 should fail, Router R2 would become the Master for all three virtual routers. Packets sent to IP addresses 10.0.0.1/16, 10.0.0.2/16, and 10.0.0.3/16 would all go to Router R2.

Router R3 is the secondary Backup for virtual routers VRID=1 and VRID=2. It would become a Master router only if both Routers R1 and R2 should fail. In such a case, Router R3 would become the Master for all three virtual routers.

Configuration of Router R1

The following is the configuration file for Router R1 in [Figure 9](#).

```

1: interface create ip test address-netmask 10.0.0.1/16 port et.1.1
!
2: ip-redundancy create vrrp 1 interface test
3: ip-redundancy create vrrp 2 interface test
4: ip-redundancy create vrrp 3 interface test
!
5: ip-redundancy associate vrrp 1 interface test address 10.0.0.1/16
6: ip-redundancy associate vrrp 2 interface test address 10.0.0.2/16
7: ip-redundancy associate vrrp 3 interface test address 10.0.0.3/16
!
8: ip-redundancy set vrrp 2 interface test priority 200
9: ip-redundancy set vrrp 3 interface test priority 200
!
10: ip-redundancy start vrrp 1 interface test
11: ip-redundancy start vrrp 2 interface test
12: ip-redundancy start vrrp 3 interface test

```

Router R1's IP address on interface test is 10.0.0.1. There are three virtual routers on this interface:

- VRID=1 – IP address=10.0.0.1/16
- VRID=2 – IP address=10.0.0.2/16
- VRID=3 – IP address=10.0.0.3/16

Since the IP address of virtual router VRID=1 is the same as the interface's IP address (10.0.0.1), then the router automatically becomes the address owner of virtual router VRID=1.

A priority is associated with each of the virtual routers. The priority determines whether the router will become the Master or the Backup for a particular virtual router. Priorities can have values between 1 and 255. When a Master router goes down, the router with the next-highest priority takes over the virtual router. If more than one router has the next-highest priority, the router that has the highest-numbered interface IP address becomes the Master.

If a router is the address owner for a virtual router, then its priority for that virtual router is 255 and cannot be changed. If a router is *not* the address-owner for a virtual-router, then its priority for that virtual router is 100 by default, and can be changed by the user.

Since Router R1 is the owner of the IP address associated with virtual router VRID=1, it has a priority of 255 (the highest) for virtual router VRID=1. Lines 8 and 9 set Router R1's priority for virtual routers VRID=2 and VRID=3 at 200. If no other routers in the VRRP configuration have a higher priority, Router R1 will take over as Master for virtual routers VRID=2 and VRID=3, should Router R2 or R3 go down.

The following table shows the priorities for each virtual router configured on Router R1.

Virtual Router	Default Priority	Configured Priority
VRID=1 – IP address=10.0.0.1/16	255 (address owner)	255 (address owner)
VRID=2 – IP address=10.0.0.2/16	100	200 (see line 8)
VRID=3 – IP address=10.0.0.3/16	100	200 (see line 9)

Configuration of Router R2

The following is the configuration file for Router R2 in [Figure 9](#).

```

1: interface create ip test address-netmask 10.0.0.2/16 port et.1.1
!
2: ip-redundancy create vrrp 1 interface test
3: ip-redundancy create vrrp 2 interface test
4: ip-redundancy create vrrp 3 interface test
!
5: ip-redundancy associate vrrp 1 interface test address 10.0.0.1/16
6: ip-redundancy associate vrrp 2 interface test address 10.0.0.2/16
7: ip-redundancy associate vrrp 3 interface test address 10.0.0.3/16
!
8: ip-redundancy set vrrp 1 interface test priority 200
9: ip-redundancy set vrrp 3 interface test priority 100
!
10: ip-redundancy start vrrp 1 interface test
11: ip-redundancy start vrrp 2 interface test
12: ip-redundancy start vrrp 3 interface test

```

Line 8 sets the backup priority for virtual router VRID=1 to 200. Since this number is higher than Router R3's backup priority for virtual router VRID=1, Router R2 is the primary Backup, and Router R3 is the secondary Backup for virtual router VRID=1.

On line 9, the backup priority for virtual router VRID=3 is set to 100. Since Router R1's backup priority for this virtual router is 200, Router R1 is the primary Backup, and Router R2 is the secondary Backup for virtual router VRID=3.

The following table shows the priorities for each virtual router configured on Router R2.

Virtual Router	Default Priority	Configured Priority
VRID=1 – IP address=10.0.0.1/16	100	200 (see line 8)
VRID=2 – IP address=10.0.0.2/16	255 (address owner)	255 (address owner)
VRID=3 – IP address=10.0.0.3/16	100	100 (see line 9)

Note: Since 100 is the default priority, line 9, which sets the priority to 100, is actually unnecessary. It is included for illustration purposes only.

Configuration of Router R3

The following is the configuration file for Router R3 in [Figure 9](#).

```

1: interface create ip test address-netmask 10.0.0.3/16 port et.1.1
!
2: ip-redundancy create vrrp 1 interface test
3: ip-redundancy create vrrp 2 interface test
4: ip-redundancy create vrrp 3 interface test
!
5: ip-redundancy associate vrrp 1 interface test address 10.0.0.1/16
6: ip-redundancy associate vrrp 2 interface test address 10.0.0.2/16
7: ip-redundancy associate vrrp 3 interface test address 10.0.0.3/16
!
8: ip-redundancy set vrrp 1 interface test priority 100
9: ip-redundancy set vrrp 2 interface test priority 100
!
10: ip-redundancy start vrrp 1 interface test
11: ip-redundancy start vrrp 2 interface test
12: ip-redundancy start vrrp 3 interface test

```

Lines 8 and 9 set the backup priority for Router R3 at 100 for virtual routers VRID=1 and VRID=2. Since Router R1 has a priority of 200 for backing up virtual router VRID=2, and Router R2 has a priority of 200 for backing up virtual router VRID=1, Router R3 is the secondary Backup for both virtual routers VRID=1 and VRID=2.

The following table shows the priorities for each virtual router configured on Router R3.

Virtual Router	Default Priority	Configured Priority
VRID=1 – IP address=10.0.0.1/16	100	100 (see line 8)
VRID=2 – IP address=10.0.0.2/16	100	100 (see line 9)
VRID=3 – IP address=10.0.0.3/16	255 (address owner)	255 (address owner)

Note: Since 100 is the default priority, lines 8 and 9, which set the priority to 100, are actually unnecessary. They are included for illustration purposes only.

Additional Configuration

This section covers settings you can modify in a VRRP configuration, including backup priority, advertisement interval, pre-empt mode, and authentication key.

Setting the Backup Priority

As described in *Multi-Backup Configuration on page 123*, you can specify which Backup router takes over when the Master router goes down by setting the priority for the Backup routers. To set the priority for a Backup router, enter the following command in Configure mode:

To specify 200 as the priority used by virtual router 1 on interface int1:

```
xp(config)# ip-redundancy set vrrp 1 interface int1 priority 200
```

The priority can be between 1 (lowest) and 254. The default is 100. The priority for the IP address owner is 255 and cannot be changed.

Setting the Warm-up Period

When the Master router goes down, the Backup router takes over. When an interface comes up, the Master router may become available and take over from the Backup router. Before the Master router takes over, it may have to update its routing tables. You can specify a warm-up period, in seconds, during which the Master router can update its routing information before it preempts the existing Master router.

To specify a warm-up period for a Master router before it takes over:

```
xp(config)# ip-redundancy set vrrp 1 warmup-period 20
```

The warm-up period can be between 1 and 180 seconds. The default is 30 seconds.

Setting the Advertisement Interval

The VRRP Master router sends periodic advertisement messages to let the other routers know that the Master is up and running. By default, advertisement messages are sent once each second. To change the VRRP advertisement interval, enter the following command in Configure mode:

To set the advertisement interval to 3 seconds:

```
xp(config)# ip-redundancy set vrrp 1 interface int1 adv-interval 3
```

Setting Pre-empt Mode

When a Master router goes down, the Backup with the highest priority takes over the IP addresses associated with the Master. By default, when the original Master comes back up again, it takes over from the Backup router that assumed its role as Master. When a VRRP router does this, it is said to be in *pre-empt mode*. Pre-empt mode is enabled by default on the XP. You can prevent a VRRP router from taking over from a lower-priority Master by disabling pre-empt mode. To do this, enter the following command in Configure mode:

To prevent a Backup router from taking over as Master from a Master router that has a lower priority:

```
xp(config)# ip-redundancy set vrrp 1 interface int1 preempt-mode disabled
```

Note: If the IP address owner is available, it will always take over as the Master—regardless of whether pre-empt mode is on or off.

Setting an Authentication Key

By default, no authentication of VRRP packets is performed on the XP. You can specify a clear-text password to be used to authenticate VRRP exchanges. To enable authentication, enter the following command in Configure mode

To authenticate VRRP exchanges on virtual router 1 on interface int1 with a password of 'yago':

```
xp(config)# ip-redundancy set vrrp 1 interface int1 auth-type text auth-key yago
```

Note: The XP does not currently support the IP Authentication Header method of authentication.

Monitoring VRRP

The XP provides two commands for monitoring a VRRP configuration: **ip-redundancy trace**, which displays messages when VRRP events occur, and **ip-redundancy show**, which reports statistics about virtual routers.

ip-redundancy trace

The **ip-redundancy trace** command is used for troubleshooting purposes. This command causes messages to be displayed when certain VRRP events occur on the XP. To trace VRRP events, enter the following commands in Enable mode:

Display a message when any VRRP event occurs. (Disabled by default.)	ip-redundancy trace vrrp events enabled
Display a message when a VRRP router changes from one state to another; for example Backup to Master. (Enabled by default.)	ip-redundancy trace vrrp state-transitions enabled
Display a message when a VRRP packet error is detected. (Enabled by default.)	ip-redundancy trace vrrp packet-errors enabled
Enable all VRRP tracing.	ip-redundancy trace vrrp all enabled

ip-redundancy show

The **ip-redundancy show** command reports information about a VRRP configuration.

To display information about all virtual routers on interface int1:

```
xp# ip-redundancy show vrrp interface int1

VRRP Virtual Router 100 - Interface int1
-----
Uptime          0 days, 0 hours, 0 minutes, 17 seconds.
State           Backup
Priority         100 (default value)
Virtual MAC address 00005E:000164
Advertise Interval 1 sec(s) (default value)
Preempt Mode    Enabled (default value)
Authentication  None (default value)
Primary Address 10.8.0.2
Associated Addresses 10.8.0.1
                  100.0.0.1

VRRP Virtual Router 200 - Interface int1
-----
Uptime          0 days, 0 hours, 0 minutes, 17 seconds.
State           Master
Priority         255 (default value)
Virtual MAC address 00005E:0001C8
Advertise Interval 1 sec(s) (default value)
Preempt Mode    Enabled (default value)
Authentication  None (default value)
Primary Address 10.8.0.2
Associated Addresses 10.8.0.2
```

To display VRRP statistics for virtual router 100 on interface int1:

```
xp# ip-redundancy show vrrp 1 interface int1 verbose

VRRP Virtual Router 100 - Interface int1
-----
Uptime          0 days, 0 hours, 0 minutes, 17 seconds.
State           Backup
Priority         100 (default value)
Virtual MAC address 00005E:000164
Advertise Interval 1 sec(s) (default value)
Preempt Mode     Enabled (default value)
Authentication   None (default value)
Primary Address  10.8.0.2
Associated Addresses 10.8.0.1
                  100.0.0.1

Stats:
Number of transitions to master state      2
VRRP advertisements rcvd                  0
VRRP packets sent with 0 priority          1
VRRP packets rcvd with 0 priority          0
VRRP packets rcvd with IP-address list mismatch 0
VRRP packets rcvd with auth-type mismatch  0
VRRP packets rcvd with checksum error      0
VRRP packets rcvd with invalid version     0
VRRP packets rcvd with invalid VR-Id       0
VRRP packets rcvd with invalid adv-interval 0
VRRP packets rcvd with invalid TTL         0
VRRP packets rcvd with invalid 'type' field 0
VRRP packets rcvd with invalid auth-type   0
VRRP packets rcvd with invalid auth-key    0
```

To display VRRP information, enter the following commands in Enable mode.

Display information about all virtual routers.	ip-redundancy show vrrp
--	--------------------------------

VRRP Configuration Notes

- The Master router sends keep-alive advertisements. The frequency of these keep-alive advertisements is determined by setting the Advertisement interval parameter. The default value is 1 second.
- If a Backup router doesn't receive a keep-alive advertisement from the current Master within a certain period of time, it will transition to the Master state and start sending advertisements itself. The amount of time that a Backup router will wait before it becomes the new Master is based on the following equation:

$$\text{Master-down-interval} = (3 * \text{advertisement-interval}) + \text{skew-time}$$

The skew-time depends on the Backup router's configured priority:

$$\text{Skew-time} = ((256 - \text{Priority}) / 256)$$

Therefore, the higher the priority, the faster a Backup router will detect that the Master is down. For example:

- Default advertisement-interval = 1 second
- Default Backup router priority = 100
- Master-down-interval = time it takes a Backup to detect the Master is down
 - = (3 * adv-interval) + skew-time
 - = (3 * 1 second) + ((256 - 100) / 256)
 - = 3.6 seconds

Note: In some instances, a heavy load on a VRRP master may delay VRRP packet transmission and cause the backup router to assume the role of master.

- If a Master router is manually rebooted, or if its interface is manually brought down, it will send a special keep-alive advertisement that lets the Backup routers know that a new Master is needed immediately.
- A virtual router will respond to ARP requests with a virtual MAC address. This virtual MAC depends on the virtual router ID:

virtual MAC address = 00005E:0001XX

where XX is the virtual router ID

This virtual MAC address is also used as the source MAC address of the keep-alive Advertisements transmitted by the Master router.

- These MAC addresses, when active, use entries in the port's Routing Address Table (RAT). Since the RAT has eight entries and other resources also use the RAT, the system will limit the number of unique virtual routing ID's to six or fewer on a per port basis.
- If multiple virtual routers are created on a single interface, the virtual routers must have unique identifiers. If virtual routers are created on different interfaces, you can reuse virtual router IDs.

For example, the following configuration is valid:

```
ip-redundancy create vrrp 1 interface test-A
ip-redundancy create vrrp 1 interface test-B
```

- As specified in RFC 2338, a Backup router that has transitioned to Master will not respond to pings, accept telnet sessions, or field SNMP requests directed at the virtual router's IP address.

Not responding allows network management to notice that the original Master router (i.e., the IP address owner) is down.

Chapter 13

RIP Configuration Guide

RIP Overview

This chapter describes how to configure the Routing Information Protocol (RIP) on the Enterasys X-Pedition. RIP is a distance-vector routing protocol for use in small networks. RIP is described in RFC 1723. A router running RIP broadcasts updates at set intervals. Each update contains paired values where each pair consists of an IP network address and an integer distance to that network. RIP uses a hop count metric to measure the distance to a destination.

The Enterasys X-Pedition provides support for RIP Version 1 and 2. The XP implements plain text and MD5 authentication methods for RIP Version 2.

The protocol independent features that apply to RIP are described in [Chapter 11, IP Routing Configuration Guide](#).

Configuring RIP

By default, RIP is disabled on the XP and on each of the attached interfaces. To configure RIP on the XP, follow these steps:

1. Start the RIP process by entering the **rip start** command.
2. Use the **rip add interface** command to inform RIP about the attached interfaces.

Enabling and Disabling RIP

To enable or disable RIP, enter one of the following commands in Configure mode.

Enable RIP.	rip start
Disable RIP.	rip stop

Configuring RIP Interfaces

To configure RIP in the XP, you must first add interfaces to inform RIP about attached interfaces.

To add RIP interfaces, enter the following commands in Configure mode.

Add interfaces to the RIP process.	rip add interface <interfacename-or-IPaddr>
Add gateways from which the XP will accept RIP updates.	rip add trusted-gateway <interfacename-or-IPaddr>
Define the list of routers to which RIP sends packets directly, not through multicast or broadcast.	rip add source-gateway <interfacename-or-IPaddr>

Configuring RIP Parameters

No further configuration is required, and the system default parameters will be used by RIP to exchange routing information. These default parameters may be modified to suit your needs by using the **rip set interface** command.

RIP Parameter	Default Value
Version number	RIP v1
Check-zero for RIP reserved parameters	Enabled
Whether RIP packets should be broadcast	Choose
Preference for RIP routes	100
Metric for incoming routes	1
Metric for outgoing routes	0
Authentication	None
Update interval	30 seconds

To change RIP parameters, enter the following commands in Configure mode.

Set RIP Version on an interface to RIP V1.	rip set interface <interfacename-or-IPaddr> all version 1
Set RIP Version on an interface to RIP V2.	rip set interface <interfacename-or-IPaddr> all version 2
Specify that RIP V2 packets should be multicast on this interface.	rip set interface <interfacename-or-IPaddr> all type multicast
Specify that RIP V2 packets that are RIP V1-compatible should be broadcast on this interface.	rip set interface <interfacename-or-IPaddr> all type broadcast
Change the metric on incoming RIP routes.	rip set interface <interfacename-or-IPaddr> all metric-in <num>
Change the metric on outgoing RIP routes.	rip set interface <interfacename-or-IPaddr> all metric-out <num>
Set the authentication method to simple text up to 8 characters.	rip set interface <interfacename-or-IPaddr> all authentication-method simple
Set the authentication method to MD5.	rip set interface <interfacename-or-IPaddr> all authentication-method md5
Specify the metric to be used when advertising routes that were learned from other protocols.	rip set default-metric <num>
Enable automatic summarization and redistribution of RIP routes.	rip set auto-summary disable enable
Specify broadcast of RIP packets regardless of number of interfaces present.	rip set broadcast-state always choose never
Check that reserved fields in incoming RIP V1 packets are zero.	rip set check-zero disable enable
Enable acceptance of RIP routes that have a metric of zero.	rip set check-zero-metric disable enable
Enable poison reverse, as specified by RFC 1058.	rip set poison-reverse disable enable

Specify the maximum number of RIP routes maintained in the routing information base (RIB). The default is 4.	rip set max-routes <number>
Disable multipath route calculation for RIP routes.	Rip set multipath off

Configuring RIP Route Preference

You can set the preference of routes learned from RIP.

To configure RIP route preference, enter the following command in Configure mode.

Set the preference of routes learned from RIP.	rip set preference <num>
--	---------------------------------

Configuring RIP Route Default-Metric

You can define the metric used when advertising routes via RIP that were learned from other protocols. The default value for this parameter is 16 (unreachable). To export routes from other protocols into RIP, you must explicitly specify a value for the default-metric parameter. The metric specified by the default-metric parameter may be overridden by a metric specified in the export command.

To configure default-metric, enter the following command in Configure mode.

Define the metric used when advertising routes via RIP that were learned from other protocols.	rip set default-metric <num>
--	-------------------------------------

For <num>, you must specify a number between 1 and 16.

Monitoring RIP

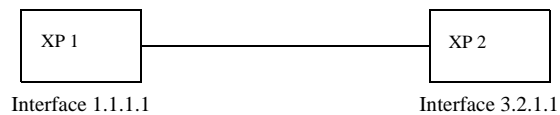
The *rip trace* command can be used to trace all rip request and response packets.

To monitor RIP information, enter the following commands in Enable mode.

Show all RIP information.	rip show all
Show RIP export policies.	rip show export-policy
Show RIP global information.	rip show globals
Show RIP import policies.	rip show import-policy

Show RIP information on the specified interface.	rip show interface <Name or IP-addr>
Show RIP interface policy information.	rip show interface-policy
Show detailed information of all RIP packets.	rip trace packets detail
Show detailed information of all packets received by the router.	rip trace packets receive
Show detailed information of all packets sent by the router.	rip trace packets send
Show detailed information of all request received by the router.	rip trace request receive
Show detailed information of all response received by the router.	rip trace response receive
Show detailed information of response packets sent by the router.	rip trace response send
Show detailed information of request packets sent by the router.	rip trace send request
Show RIP timer information.	rip show timers

Configuration Example



```

! Example configuration
!
! Create interface XP1-if1 with ip address 1.1.1.1/16 on port et.1.1 on XP-1
interface create ip XP1-if1 address-netmask 1.1.1.1/16 port et.1.1
!
! Configure rip on XP-1
rip add interface XP1-if1
rip set interface XP1-if1 version 2
rip start
!
!
! Set authentication method to md5
rip set interface XP1-if1 authentication-method md5
!
! Change default metric-in
rip set interface XP1-if1 metric-in 2
!

```

```
! Change default metric-out  
rip set interface XP1-if1 metric-out 3
```

Chapter 14

OSPF Configuration Guide

OSPF Overview

Open Shortest Path First Routing (OSPF) is a shortest path first or link-state protocol. The XP supports OSPF Version 2.0, as defined in RFC 1583. OSPF is an interior gateway protocol that distributes routing information between routers in a single autonomous system. OSPF chooses the least-cost path as the best path. OSPF is suitable for complex networks with a large number of routers because it provides equal-cost multi-path routing where packets to a single destination can be sent via more than one interface simultaneously.

In a link-state protocol, each router maintains a database that describes the entire AS topology, which it builds out of the collected link state advertisements of all routers. Each participating router distributes its local state (i.e., the router's usable interfaces and reachable neighbors) throughout the AS by flooding. Each multi-access network that has at least two attached routers has a designated router and a backup designated router. The designated router floods a link state advertisement for the multi-access network and has other special responsibilities. The designated router concept reduces the number of adjacencies required on a multi-access network.

OSPF allows networks to be grouped into areas. Routing information passed between areas is abstracted, potentially allowing a significant reduction in routing traffic. OSPF uses four different types of routes, listed in order of preference:

- Intra-area
- Inter-area
- Type 1 ASE
- Type 2 ASE

Intra-area paths have destinations within the same area. Inter-area paths have destinations in other OSPF areas. Both types of Autonomous System External (ASE) routes are routes to destinations

external to OSPF (and usually external to the AS). Routes exported into OSPF ASE as type 1 ASE routes are supposed to be from interior gateway protocols (e.g., RIP) whose external metrics are directly comparable to OSPF metrics. When a routing decision is being made, OSPF will add the internal cost to the AS border router to the external metric. Type 2 ASEs are used for exterior gateway protocols whose metrics are not comparable to OSPF metrics. In this case, only the internal OSPF cost to the AS border router is used in the routing decision.

The XP supports the following OSPF functions:

- **Stub Areas:** Definition of stub areas is supported.
- **Authentication:** Simple password and MD5 authentication methods are supported within an area.
- **Virtual Links:** Virtual links are supported.
- **Route Redistribution:** Routes learned via RIP, BGP, or any other sources can be redistributed into OSPF. OSPF routes can be redistributed into RIP or BGP.
- **Interface Parameters:** Parameters that can be configured include interface output cost, retransmission interval, interface transmit delay, router priority, router dead and hello intervals, and authentication key.

OSPF Multipath

The XP also supports OSPF and static Multi-path. If multiple equal-cost OSPF or static routes have been defined for any destination, then the XP “discovers” and uses all of them. The XP will automatically learn up to four equal-cost OSPF or static routes and retain them in its forwarding information base (FIB). The forwarding module then installs flows for these destinations in a round-robin fashion.

Configuring OSPF

To configure OSPF on the XP, you must enable OSPF, create OSPF areas, assign interfaces to OSPF areas, and, if necessary, specify any of the OSPF interface parameters.

To configure OSPF, you may need to perform some or all of the following tasks:

- Enable OSPF.
- Create OSPF areas.
- Create an IP interface or assign an IP interface to a VLAN.
- Add IP interfaces to OSPF areas.
- Configure OSPF interface parameters, if necessary.
- Add IP networks to OSPF areas.
- Create virtual links, if necessary.

Enabling OSPF

OSPF is disabled by default on the XP.

To enable or disable OSPF, enter one of the following commands in Configure mode.

Enable OSPF.	<code>ospf start</code>
Disable OSPF.	<code>ospf stop</code>

Configuring OSPF Interface Parameters

You can configure the OSPF interface parameters shown in the table below.

Table 7. OSPF Interface Parameters

OSPF Parameter	Default Value
Interface OSPF State (Enable/Disable)	Enable (except for virtual links)
Cost	See Default Cost of an OSPF Interface below.
No multicast	Default is using multicast mechanism.
Retransmit interval	5 seconds
Transit delay	1 second
Priority	1
Hello interval	10 seconds (broadcast), 30 (non broadcast)
Router dead interval	4 times the hello interval
Poll Interval	120 seconds
Key chain	N/A
Authentication Method	None

Default Cost of an OSPF Interface

The default cost of an OSPF interface is calculated using its bandwidth. A VLAN that is attached to an interface could have several ports of differing speeds. The bandwidth of an interface is represented by the highest bandwidth port that is part of the associated VLAN. The cost of an OSPF interface is inversely proportional to this bandwidth. The cost is calculated using the following formula:

$$\text{Cost} = 2000000000 / \text{speed (in bps)}$$

The following is a table of the port types and the OSPF default cost associated with each type:

Table 8. OSPF Default Cost Per Port Type

Port Media Type	Speed	OSPF Default Cost
Ethernet 1000	1000 Mbps	2
Ethernet 10/100	100 Mbps	20
Ethernet 10/100	10 Mbps	200
WAN (T1)	1.5 Mbps	1333
WAN (T3)	45 Mbps	44

To configure OSPF interface parameters, enter one of the following commands in Configure mode:

Enable OSPF state on interface.	ospf set interface <name-or-IPaddr> all state disable enable
Specify the cost of sending a packet on an OSPF interface.	ospf set interface <name-or-IPaddr> all cost <num>
Specify the priority for determining the designated router on an OSPF interface.	ospf set interface <name-or-IPaddr> all priority <num>
Specify the interval between OSPF hello packets on an OSPF interface.	ospf set interface <name-or-IPaddr> all hello-interval <num>
Configure the retransmission interval between link state advertisements for adjacencies belonging to an OSPF interface.	ospf set interface <name-or-IPaddr> all retransmit-interval <num>
Specify the number of seconds required to transmit a link state update on an OSPF interface.	ospf set interface <name-or-IPaddr> all transit-delay <num>
Specify the time a neighbor router will listen for OSPF hello packets before declaring the router down.	ospf set interface <name-or-IPaddr> all router-dead-interval <num>
Disable IP multicast for sending OSPF packets to neighbors on an OSPF interface.	ospf set interface <name-or-IPaddr> all no-multicast
Specify the poll interval on an OSPF interface.	ospf set interface <name-or-IPaddr> all poll-interval <num>

Specify the identifier of the key chain containing the authentication keys.	ospf set interface <name-or-IPaddr> all key-chain <num-or-string>
Specify the authentication method to be used on this interface.	ospf set interface <name-or-IPaddr> all authentication-method none simple md5

Configuring an OSPF Area

OSPF areas are a collection of subnets that are grouped in a logical fashion. These areas communicate with other areas via the backbone area. Once OSPF areas are created, you can add interfaces, stub hosts, and summary ranges to the area.

In order to reduce the amount of routing information propagated between areas, you can configure summary-ranges on Area Border Routers (ABRs). On the XP, summary-ranges are created using the **ospf add summary-range** command – the networks specified using this command describe the scope of an area. Intra-area Link State Advertisements (LSAs) that fall within the specified ranges are not advertised into other areas as inter-area routes. Instead, the specified ranges are advertised as summary network LSAs.

To create areas and assign interfaces, enter the following commands in the Configure mode.

Create an OSPF area.	ospf create area <area-num> backbone
Add an interface to an OSPF area.	ospf add interface <name-or-IPaddr> to-area <area-addr> backbone [type broadcast non-broadcast point-to-multipoint]
Add a stub host to an OSPF area.	ospf add stub-host to-area <area-addr> backbone cost <num>
Add a network to an OSPF area for summarization.	ospf add network summary-range <IPaddr/mask> to-area <area-addr> backbone [restrict] [host-net]

Configuring OSPF Area Parameters

The XP allows configuration of various OSPF area parameters, including stub areas, stub cost and authentication method. Information about routes which are external to the OSPF routing domain is not sent into a stub area. Instead, there is a default external route generated by the ABR into the stub area for destinations outside the OSPF routing domain. To further reduce the number of link state advertisements sent into a stub area, you can specify the **no-summary** keyword with the **stub** option on the ABR to prevent it from sending summary link advertisement (link state advertisements type 3) into the stub area.

Stub cost specifies the cost to be used to inject a default route into a stub area. An authentication method for OSPF packets can be specified on a per-area basis.

To configure OSPF area parameters, enter the following commands in the Configure mode.

Specify an OSPF area to be a stub area.	ospf set area <area-num> stub [no-summary]
Specify the cost to be used to inject a default route into a stub area. Note: If this command is not specified, no default route is injected into the OSPF stub area.	ospf set area <area-num> stub-cost <num>
Specify the authentication method to be used by neighboring OSPF routers.	ospf set area <area-num> [stub] [authentication-method none simple md5]

Creating Virtual Links

In OSPF, virtual links can be established:

- To connect an area via a transit area to the backbone
- To create a redundant backbone connection via another area

Each Area Border Router must be configured with the same virtual link. Note that virtual links cannot be configured through a stub area.

To configure virtual links, enter the following commands in the Configure mode.

Create a virtual link.	ospf add virtual-link <number-or-string> neighbor <IPaddr> transit-area <area-num>
Set virtual link parameters.	ospf set virtual-link <number-or-string> [state disable enable] [cost <num>] [retransmit-interval <num>] [transit-delay <num>] [priority <num>] [hello-interval <num>] [router-dead-interval <num>] [poll-interval <num>]

Configuring Autonomous System External (ASE) Link Advertisements

Because of the nature of OSPF, the rate at which ASEs are flooded may need to be limited. The following parameters can be used to adjust those rate limits. These parameters specify the defaults used when importing OSPF ASE routes into the routing table and exporting routes from the routing table into OSPF ASEs.

To specify AS external link advertisements parameters, enter the following commands in the Configure mode:

Specifies how often a batch of ASE link state advertisements will be generated and flooded into OSPF. The default is 1 time per second.	ospf set export-interval <num>
Specifies how many ASEs will be generated and flooded in each batch. The default is 250.	ospf set export-limit <num>
Specifies AS external link advertisement default parameters.	ospf set ase-defaults {[preference <num>]} [cost <num>] [[type <num>]] [inherit-metric]

Configuring OSPF for Different Types of Interfaces

The Enterasys X-Pedition can run OSPF over a variety of physical connections: Serial connections, LAN interfaces, ATM, or Frame Relay. The OSPF configuration supports four different types of interfaces.

- **LAN.** An example of a LAN interface is an Ethernet. The XP will use multicast packets on LAN interfaces to reach other OSPF routers. By default, an IP interface attached to a VLAN that contains LAN ports is treated as an OSPF broadcast network.
- **Point-to-Point.** A point-to-point interface can be a serial line using PPP. By default, an IP interface associated with a serial line that is using PPP is treated as an OSPF point-to-point network. If an IP interface that is using PPP is to be treated as an OSPF broadcast network, then use the **type broadcast** option of the **interface create** command.
- **Non-Broadcast Multiple Access (NBMA).** An example of a NBMA network is a fully-meshed Frame Relay or ATM network with virtual circuits. Because there is no general multicast for these networks, each neighboring router that is reachable over the NBMA network must be specified, so that routers can poll each other. The XP will unicast packets to the routers in the NBMA network.
- **Point-to-Multipoint (PMP).** Point-to-multipoint connectivity is used when the network does not provide full connectivity to all routers in the network. As in the case of NBMA networks, a list of neighboring routers reachable over a PMP network should be configured so that the router can discover its neighbors.

To configure OSPF for NBMA networks, enter the following command in Configure mode:

Specify an OSPF NBMA neighbor.	ospf add nbma-neighbor <hostname-or-IPaddr> to-interface <name-or-IPaddr> [eligible]
--------------------------------	--

Note: When you assign an interface with the **ospf add interface** command, you must specify **type non-broadcast**.

To configure OSPF for point-to-multipoint networks, enter the following command in Configure mode:

Specify an OSPF point-to-multipoint neighbor.	ospf add pmp-neighbor <IPaddr> to-interface <name-or-IPaddr>
---	--

Note: When you assign an interface with the **ospf add interface** command, you must specify **type point-to-multipoint** (instead of **type non-broadcast**).

Monitoring OSPF

The Enterasys X-Pedition provides two different command sets to display the various OSPF tables:

- **ospf monitor** commands allow you to display the OSPF tables for the router on which the commands are being entered, as well as for other remote Enterasys X-Peditions running OSPF. The **ospf monitor** commands can be used to display a concise version of the various OSPF tables. All of the **ospf monitor** commands accept a **destination** option. This option is only required to display the OSPF tables of a remote Enterasys X-Pedition.
- **ospf show** commands allow you to display detailed versions of the various OSPF tables. The **ospf show** commands can only display OSPF tables for the router on which the commands are being entered.

To display OSPF information, enter the following commands in Enable mode.

Show IP routing table.	ip show table routing
Monitor OSPF error conditions.	ospf monitor errors [destination <hostname-or-IPaddr>]
Show information about all interfaces configured for OSPF.	ospf monitor interfaces [destination <hostname-or-IPaddr>]
Display link state advertisement information.	ospf monitor lsa [destination <hostname-or-IPaddr>]
Display the link state database.	ospf monitor lsdb [destination <hostname-or-IPaddr>]
Shows information about all OSPF routing neighbors.	ospf monitor neighbors [destination <hostname-or-IPaddr>]
Show information on valid next hops.	ospf monitor next-hop-list [destination <hostname-or-IPaddr>]
Display OSPF routing table.	ospf monitor routes [destination <hostname-or-IPaddr>]

Monitor OSPF statistics for a specified destination.	ospf monitor statistics [destination <hostname-or-IPaddr>]
Shows information about all OSPF routing version	ospf monitor version
Shows OSPF Autonomous System External Link State Database.	ospf show as-external-lsdb
Show all OSPF tables.	ospf show all
Show all OSPF areas.	ospf show areas
Show OSPF errors.	ospf show errors
Show information about OSPF export policies.	ospf show export-policies
Shows routes redistributed into OSPF.	ospf show exported-routes
Show all OSPF global parameters.	ospf show globals
Show information about OSPF import policies.	ospf show import-policies
Show OSPF interfaces.	ospf show interfaces
Shows information about all valid next hops mostly derived from the SPF calculation.	ospf show next-hop-list
Show OSPF statistics.	ospf show statistics
Shows information about OSPF Border Routes.	ospf show summary-asb
Show OSPF timers.	ospf show timers
Show OSPF virtual-links.	ospf show virtual-links

OSPF Configuration Examples

For all examples in this section, refer to the configuration shown in [Figure 10 on page 153](#).

The following configuration commands for router R1:

- Determine the IP address for each interface
- Specify the static routes configured on the router
- Determine its OSPF configuration

```
!+++++
! Create the various IP interfaces.
```

```

!+++++
interface create ip to-r2 address-netmask 120.190.1.1/16 port et.1.2
interface create ip to-r3 address-netmask 130.1.1.1/16 port et.1.3
interface create ip to-r41 address-netmask 140.1.1.1/24 port et.1.4
interface create ip to-r42 address-netmask 140.1.2.1/24 port et.1.5
interface create ip to-r6 address-netmask 140.1.3.1/24 port et.1.6
!+++++
! Configure default routes to the other subnets reachable through R2.
!+++++
ip add route 202.1.0.0/16 gateway 120.1.1.2
ip add route 160.1.5.0/24 gateway 120.1.1.2
!+++++
! OSPF Box Level Configuration
!+++++
ospf start
ospf create area 140.1.0.0
ospf create area backbone
ospf set ase-defaults cost 4
!+++++
! OSPF Interface Configuration
!+++++
ospf add interface 140.1.1.1 to-area 140.1.0.0
ospf add interface 140.1.2.1 to-area 140.1.0.0
ospf add interface 140.1.3.1 to-area 140.1.0.0
ospf add interface 130.1.1.1 to-area backbone

```

Exporting All Interface & Static Routes to OSPF

Router R1 has several static routes. We would export these static routes as type-2 OSPF routes. The interface routes would be redistributed as type-1 OSPF routes.

1. Create a OSPF export destination for type-1 routes since we would like to redistribute certain routes into OSPF as type 1 OSPF-ASE routes.

```
ip-router policy create ospf-export-destination ospfExpDstType1 type 1 metric 1
```

2. Create a OSPF export destination for type-2 routes since we would like to redistribute certain routes into OSPF as type 2 OSPF-ASE routes.

```
ip-router policy create ospf-export-destination ospfExpDstType2 type 2 metric 4
```

3. Create a Static export source since we would like to export static routes.

```
ip-router policy create static-export-source statExpSrc
```

4. Create a Direct export source since we would like to export interface/direct routes.

```
ip-router policy create direct-export-source directExpSrc
```

5. Create the Export-Policy for redistributing all interface routes and static routes into OSPF.

```
ip-router policy export destination ospfExpDstType1 source directExpSrc network all
ip-router policy export destination ospfExpDstType2 source statExpSrc network all
```

Exporting All RIP, Interface & Static Routes to OSPF

Note: Also export interface, static, RIP, OSPF, and OSPF-ASE routes into RIP.

In the configuration shown in [Figure 10 on page 153](#), RIP Version 2 is configured on the interfaces of routers R1 and R2, which are attached to the sub-network 120.190.0.0/16.

We would like to redistribute these RIP routes as OSPF type-2 routes and associate the tag 100 with them. Router R1 would also like to redistribute its static routes as type 2 OSPF routes. The interface routes are to be redistributed as type 1 OSPF routes.

Router R1 would like to redistribute its OSPF, OSPF-ASE, RIP, Static and Interface/Direct routes into RIP.

1. Enable RIP on interface 120.190.1.1/16.

```
rip add interface 120.190.1.1
rip set interface 120.190.1.1 version 2 type multicast
```

2. Create a OSPF export destination for type-1 routes.

```
ip-router policy create ospf-export-destination ospfExpDstType1 type 1 metric 1
```

3. Create a OSPF export destination for type-2 routes.

```
ip-router policy create ospf-export-destination ospfExpDstType2 type 2 metric 4
```

4. Create a OSPF export destination for type-2 routes with a tag of 100.

```
ip-router policy create ospf-export-destination ospfExpDstType2t100 type 2 tag 100 metric 4
```

5. Create a RIP export source.

```
ip-router policy create rip-export-source ripExpSrc
```

6. Create a Static export source.

```
ip-router policy create static-export-source statExpSrc
```

7. Create a Direct export source.

```
ip-router policy create direct-export-source directExpSrc
```

8. Create the Export-Policy for redistributing all interface, RIP and static routes into OSPF.

```
ip-router policy export destination ospfExpDstType1 source directExpSrc network all
ip-router policy export destination ospfExpDstType2 source statExpSrc network all
ip-router policy export destination ospfExpDstType2t100 source ripExpSrc network all
```

9. Create a RIP export destination.

```
ip-router policy create rip-export-destination ripExpDst
```

10. Create OSPF export source.

```
ip-router policy create ospf-export-source ospfExpSrc type OSPF
```

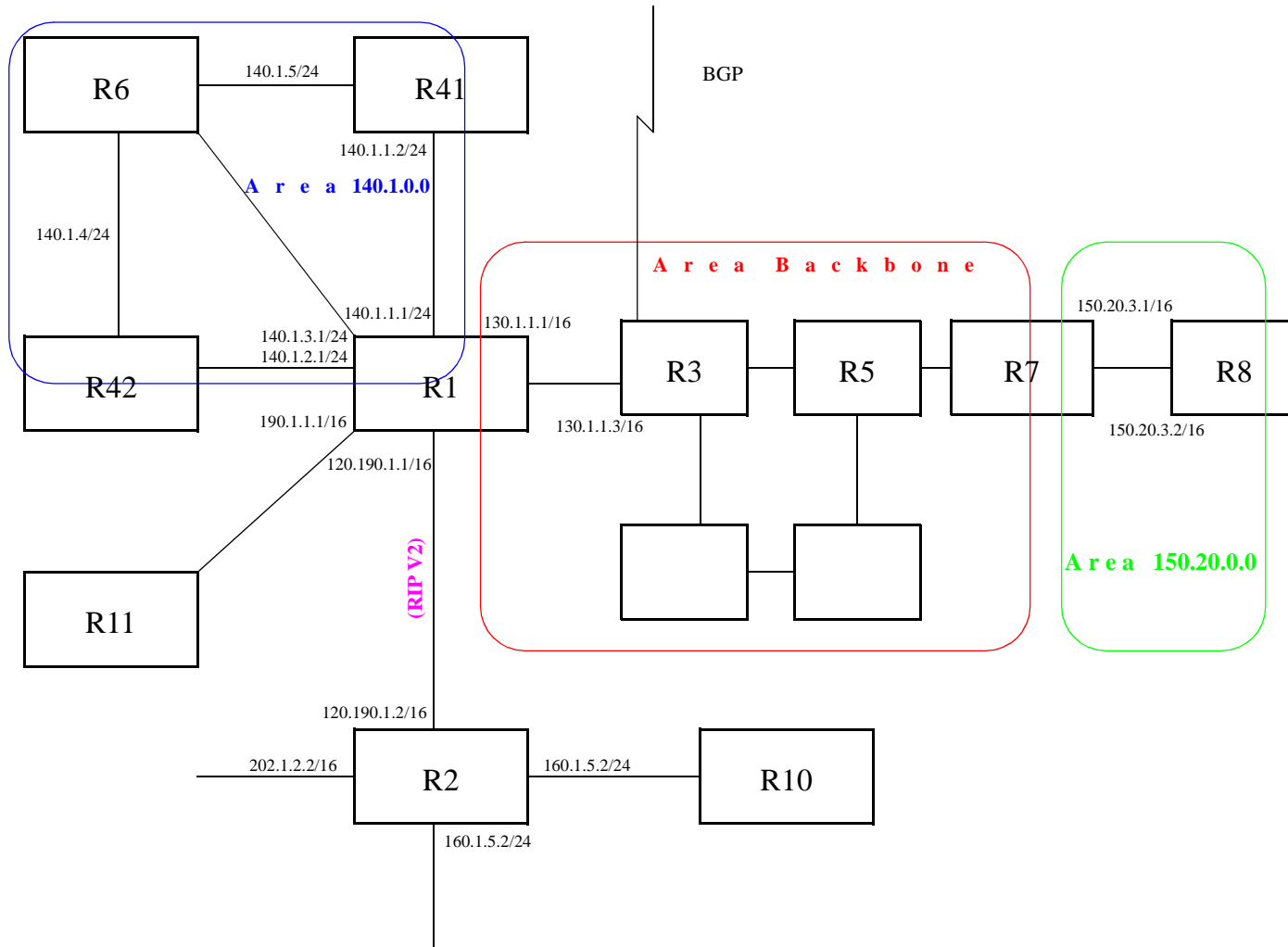
11. Create OSPF-ASE export source.

```
ip-router policy create ospf-export-source ospfAseExpSrc type OSPF-ASE
```

12. Create the Export-Policy for redistributing all interface, RIP, static, OSPF and OSPF-ASE routes into RIP.

```
ip-router policy export destination ripExpDst source statExpSrc network all
ip-router policy export destination ripExpDst source ripExpSrc network all
ip-router policy export destination ripExpDst source directExpSrc network all
ip-router policy export destination ripExpDst source ospfExpSrc network all
ip-router policy export destination ripExpDst source ospfAseExpSrc network all
```

Figure 10. Exporting to OSPF



Chapter 15

BGP Configuration Guide

BGP Overview

The Border Gateway Protocol (BGP) is an exterior gateway protocol that allows IP routers to exchange network reachability information. BGP became an internet standard in 1989 (RFC 1105) and the current version, BGP-4, was published in 1994 (RFC 1771). BGP typically runs between Internet Service Providers. It is also frequently used by multi-homed ISP customers and large commercial networks.

Note: BGP management traps are not supported in this release.

Autonomous systems that wish to connect their networks must agree on a method of exchanging routing information. Interior gateway protocols such as RIP and OSPF may be inadequate for this task since they were not designed to handle multi-AS, policy, and security issues. Similarly, using static routes may not be the best choice for exchanging AS-AS routing information because there may be a large number of routes, or the routes may change often.

Note: This chapter uses the term *Autonomous System* (AS) throughout. An AS is defined as a set of routers under a central technical administration that has a coherent interior routing plan and accurately portrays to other ASs what routing destinations are reachable by way of it.

In an environment where using static routes is not feasible, BGP is often the best choice for an AS-AS routing protocol. BGP prevents the introduction of routing loops created by multi-homed and meshed AS topologies. BGP also provides the ability to create and enforce policies at the AS level, such as selectively determining which AS routes are to be accepted or what routes are to be advertised to BGP peers.

The XP BGP Implementation

The XP routing protocol implementation is based on GateD 4.0.3 code (<http://www.gated.org>). GateD is a modular software program consisting of core services, a routing database, and protocol modules supporting multiple routing protocols (RIP versions 1 and 2, OSPF version 2, BGP version 2 through 4, and Integrated IS-IS).

Since the XP IP routing code is based upon GateD, BGP can also be configured using a GateD configuration file (`gated.conf`) instead of the XP Command Line Interface (CLI). Additionally, even if the XP is configured using the CLI, the `gated.conf` equivalent can be displayed by entering the **ip-router show configuration-file** command at the XP Enable prompt.

VLANs, interfaces, ACLs, and many other XP configurable entities and functionality can only be configured using the XP CLI. Therefore, a `gated.conf` file is dependent upon some XP CLI configuration.

Basic BGP Tasks

This section describes the basic tasks necessary to configure BGP on the XP. Due to the abstract nature of BGP, many BGP designs can be extremely complex. For any one BGP design challenge, there may only be one solution out of many that is relevant to common practice.

When designing a BGP configuration, it may be prudent to refer to information in RFCs, Internet drafts, and books about BGP. Some BGP designs may also require the aid of an experienced BGP network consultant.

Basic BGP configuration involves the following tasks:

- Setting the autonomous system number
- Setting the router ID
- Creating a BGP peer group
- Adding and removing a BGP peer host
- Starting BGP
- Using AS path regular expressions
- Using AS path prepend

Setting the Autonomous System Number

An autonomous system number identifies your autonomous system to other routers. To set the XP's autonomous system number, enter the following command in Configure mode.

Set the XP's autonomous system number.	ip-router global set autonomous-system <num1> loops <num2>
--	---

The **autonomous-system** <num1> parameter sets the AS number for the router. Specify a number from 1–65534. The **loops** <num2> parameter controls the number of times the AS may appear in the as-path. The default is 1.

Setting the Router ID

The router ID uniquely identifies the XP. To set the router ID to be used by BGP, enter the following command in Configure mode.

Set the XP's router ID.	ip-router global set router-id <hostname-or-IPaddr>
-------------------------	--

If you do not explicitly specify the router ID, then an ID is chosen implicitly by the XP. A secondary address on the loopback interface (the primary address being 127.0.0.1) is the most preferred candidate for selection as the XP's router ID. If there are no secondary addresses on the loopback interface, then the default router ID is set to the address of the first interface that is in the up state that the XP encounters (except the interface en0, which is the Control Module's interface). The address of a non point-to-point interface is preferred over the local address of a point-to-point interface. If the router ID is implicitly chosen to be the address of a non-loopback interface, and if that interface were to go down, then the router ID is changed. When the router ID changes, an OSPF router has to flush all its LSAs from the routing domain.

If you explicitly specify a router ID, then it would not change, even if all interfaces were to go down.

Configuring a BGP Peer Group

A BGP peer group is a group of neighbor routers that have the same update policies. To configure a BGP peer group, enter the following command in Configure mode:

Configure a BGP peer group.	bgp create peer-group <number-or-string> type external internal routing [autonomous-system <number>] [proto any rip ospf static] [interface <interface-name-or-ipaddr> all]
-----------------------------	---

where:

peer-group <number-or-string>

Is a group ID, which can be a number or a character string.

type Specifies the type of BGP group you are adding. You can specify one of the following:

external In the classic external BGP group, full policy checking is applied to all incoming and outgoing advertisements. The external neighbors must be directly reachable through one of the machine's local interfaces.

routing An internal group which uses the routes of an interior protocol to resolve forwarding addresses. Type Routing groups will determine the immediate next hops for routes by using the next hop received with a route from a peer as a forwarding address, and using this to look up an immediate next hop in an IGP's routes. Such groups support distant peers, but need to be informed of the IGP whose routes they are using to determine immediate next hops. This implementation comes closest to the IBGP implementation of other router vendors.

internal An internal group operating where there is no IP-level IGP, for example an SMDS network. Type Internal groups expect all peers to be directly attached to a shared subnet so that, like external peers, the next hops received in BGP advertisements may be used directly for forwarding. All Internal group peers should be L2 adjacent.

autonomous-system <number>

Specifies the autonomous system of the peer group. Specify a number from 1 –65534.

proto Specifies the interior protocol to be used to resolve BGP next hops. Specify one of the following:

any Use any igp to resolve BGP next hops.

rip Use RIP to resolve BGP next hops.

ospf Use OSPF to resolve BGP next hops.

static Use static to resolve BGP next hops.

interface <name-or-IPaddr> | **all**

Interfaces whose routes are carried via the IGP for which third-party next hops may be used instead. Use only for type Routing group. Specify the interface or **all** for all interfaces.

Adding and Removing a BGP Peer

There are two ways to add BGP peers to peer groups. You can explicitly add a peer host, or you can add a network. Adding a network allows for peer connections from any addresses in the range of network and mask pairs specified in the **bgp add network** command.

To add BGP peers to BGP peer groups, enter one of the following commands in Configure mode.

Add a host to a BGP peer group.	bgp add peer-host <i><ipaddr></i> group <i><number-or-string></i>
Add a network to a BGP peer group.	bgp add network <i><ip-addr-mask></i> all group <i><number-or-string></i>

You may also remove a BGP peer from a peer group. To do so, enter the following command in Configure mode:

Remove a host from a BGP peer group.	bgp clear peer-host <i><ipaddr></i>
--------------------------------------	--

Starting BGP

BGP is disabled by default. To start BGP, enter the following command in Configure mode.

Start BGP.	bgp start
------------	------------------

Using AS-Path Regular Expressions

An AS-path regular expression is a regular expression where the alphabet is the set of AS numbers. An AS-path regular expression is composed of one or more AS-path expressions. An AS-path expression is composed of AS path terms and AS-path operators.

An AS path term is one of the following three objects:

autonomous_system

Is any valid autonomous system number, from one through 65534 inclusive.

.(dot)

Matches any autonomous system number.

(aspath_regexp)

Parentheses group subexpressions. An operator, such as * or ? works on a single element or on a regular expression enclosed in parentheses.

An AS-path operator is one of the following:

aspath_term {m,n}

A regular expression followed by {m,n} (where m and n are both non-negative integers and m <= n) means at least m and at most n repetitions.

`aspath_term {m}`

A regular expression followed by {m} (where m is a positive integer) means exactly m repetitions.

`aspath_term {m,}`

A regular expression followed by {m,} (where m is a positive integer) means m or more repetitions.

`aspath_term *`

An AS path term followed by * means zero or more repetitions. This is shorthand for {0,}.

`aspath_term +`

A regular expression followed by + means one or more repetitions. This is shorthand for {1,}.

`aspath_term ?`

A regular expression followed by ? means zero or one repetition. This is shorthand for {0,1}.

`aspath_term | aspath_term`

Matches the AS term on the left, or the AS term on the right.

For example:

`(4250 .*)` Means anything beginning with 4250.

`(.* 6301 .*)` Means anything with 6301.

`(.* 4250)` Means anything ending with 4250.

`(. * 1104|1125|1888|1135 .*)`

Means anything containing 1104 or 1125 or 1888 or 1135.

AS-path regular expressions are used as one of the parameters for determining which routes are accepted and which routes are advertised.

AS-Path Regular Expression Examples

To import MCI routes with a preference of 165:

```
ip-router policy create bgp-import-source mciRoutes aspath-regular-expression "(.* 3561 .*)" origin any
sequence-number 10
ip-router policy import source mciRoutes network all preference 165
```

To import all routes (.* matches all AS paths) with the default preference:

```
ip-router policy create bgp-import-source allOthers aspath-regular-expression "(.*)" origin any sequence-
number 20
ip-router policy import source allOthers network all
```

To export all active routes from 284 or 813 or 814 or 815 or 816 or 3369 or 3561 to autonomous system 64800.

```
ip-router policy create bgp-export-destination to-64800 autonomous-system 64800
ip-router policy create aspath-export-source allRoutes aspath-regular-expression
    "(.*(284|813|814|815|816|3369|3561) .*)" origin any protocol all
ip-router policy export destination to-64800 source allRoutes network all
```

Using the AS Path Prepend Feature

When BGP compares two advertisements of the same prefix that have differing AS paths, the default action is to prefer the path with the lowest number of transit AS hops; in other words, the preference is for the shorter AS path length. The AS path prepend feature is a way to manipulate AS path attributes to influence downstream route selection. AS path prepend involves inserting the originating AS into the beginning of the AS prior to announcing the route to the exterior neighbor.

Lengthening the AS path makes the path less desirable than would otherwise be the case. However, this method of influencing downstream path selection is feasible only when comparing prefixes of the same length because an instance of a more specific prefix always is preferable.

On the XP, the number of instances of an AS that are put in the route advertisement is controlled by the **as-count** option of the **bgp set peer-host** command.

The following is an example:

```
#
# insert two instances of the AS when advertising the route to this peer
#
bgp set peer-host 194.178.244.33 group nlnet as-count 2
#
# insert three instances of the AS when advertising the route to this
# peer
#
bgp set peer-host 194.109.86.5 group webnet as-count 3
```

Notes on Using the AS Path Prepend Feature

- Use the **as-count** option for external peer-hosts only.
- If the **as-count** option is entered for an active BGP session, routes will *not* be resent to reflect the new setting. To have routes reflect the new setting, you must restart the peer session. To do this:
 - a. Enter Configure mode.
 - b. Negate the command that adds the peer-host to the peer-group. (If this causes the number of peer-hosts in the peer-group to drop to zero, then you must also negate the command that creates the peer group.)

- c. Exit Configure mode.
- d. Re-enter Configure mode.
- e. Add the peer-host back to the peer-group.

If the **as-count** option is part of the startup configuration, the above steps are unnecessary.

BGP Configuration Examples

This section presents sample configurations illustrating BGP features. The following features are demonstrated:

- BGP peering
- Internal BGP (IBGP)
- External BGP (EBGP) multihop
- BGP community attribute
- BGP local preference (local_pref) attribute
- BGP Multi-Exit Discriminator (MED) attribute
- EBGP aggregation
- Route reflection

BGP Peering Session Example

The router process used for a specific BGP peering session is known as a *BGP speaker*. A single router can have several BGP speakers. Successful BGP peering depends on the establishment of a neighbor relationship between BGP speakers. The first step in creating a BGP neighbor relationship is the establishment of a TCP connection (using TCP port 179) between peers.

A BGP Open message can then be sent between peers across the TCP connection to establish various BGP variables (BGP Version, AS number (ASN), hold time, BGP identifier, and optional parameters). Upon successful completion of the BGP Open negotiations, BGP Update messages containing the BGP routing table can be sent between peers.

BGP does not require a periodic refresh of the entire BGP routing table between peers. Only incremental routing changes are exchanged. Therefore, each BGP speaker is required to retain the entire BGP routing table of their peer for the duration of the peer's connection.

BGP "keepalive" messages are sent between peers periodically to ensure that the peers stay connected. If one of the routers encounters a fatal error condition, a BGP notification message is sent to its BGP peer, and the TCP connection is closed.

Figure 11 illustrates a sample BGP peering session.

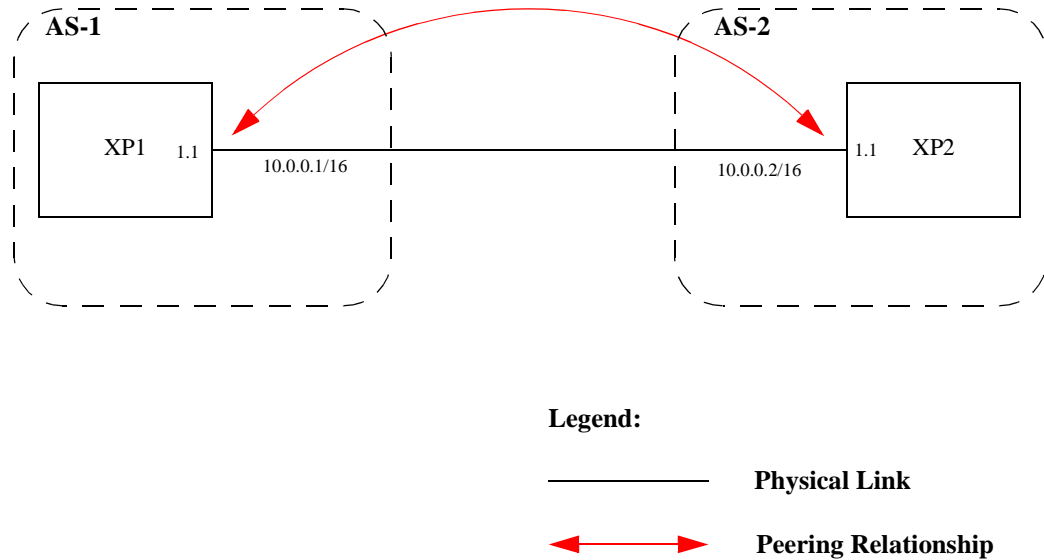


Figure 11. Sample BGP Peering Session

The CLI configuration for router XP1 is as follows:

```
interface create ip et.1.1 address-netmask 10.0.0.1/16 port et.1.1
#
# Set the AS of the router
#
ip-router global set autonomous-system 1
#
# Set the router ID
#
ip-router global set router-id 10.0.0.1
#
# Create EBGp peer group pg1w2 for peering with AS 2
#
bgp create peer-group pg1w2 type external autonomous-system 2
#
# Add peer host 10.0.0.2 to group pg1w2
#
bgp add peer-host 10.0.0.2 group pg1w2
bgp start
```

The gated.conf file for router XP1 is as follows:

```
autonomoussystem 1 ;
routerid 10.0.0.1 ;
bgp yes {
    group type external peeras 2
    {
        peer 10.0.0.2
        ;
    };
};
```

The CLI configuration for router XP2 is as follows:

```
interface create ip et.1.1 address-netmask 10.0.0.2/16 port et.1.1
ip-router global set autonomous-system 2
ip-router global set router-id 10.0.0.2
bgp create peer-group pg2w1 type external autonomous-system 1
bgp add peer-host 10.0.0.1 group pg2w1
bgp start
```

The gated.conf file for router XP2 is as follows:

```
autonomoussystem 2 ;
routerid 10.0.0.2 ;
bgp yes {
    group type external peeras 1
    {
        peer 10.0.0.1
        ;
    };
};
```

IBGP Configuration Example

Connections between BGP speakers within the same AS are referred to as internal links. A peer in the same AS is an internal peer. Internal BGP is commonly abbreviated IBGP; external BGP is EBGp.

An AS that has two or more EBGp peers is referred to as a multihomed AS. A multihomed AS can “transit” traffic between two ASs by advertising to one AS routes that it learned from the other AS. To successfully provide transit services, all EBGp speakers in the transit AS must have a consistent view of all of the routes reachable through their AS.

Multihomed transit ASs can use IBGP between EBGp-speaking routers in the AS to synchronize their routing tables. IBGP requires a full-mesh configuration; all EBGp speaking routers must have an IBGP peering session with every other EBGp speaking router in the AS.

An IGP, like OSPF, could possibly be used instead of IBGP to exchange routing information between EBGP speakers within an AS. However, injecting full Internet routes (50,000+ routes) into an IGP puts an expensive burden on the IGP routers. Additionally, IGPs cannot communicate all of the BGP attributes for a given route. It is, therefore, recommended that an IGP not be used to propagate full Internet routes between EBGP speakers. IBGP should be used instead.

IBGP Routing Group Example

An IBGP Routing group uses the routes of an interior protocol to resolve forwarding addresses. An IBGP Routing group will determine the immediate next hops for routes by using the next hop received with a route from a peer as a forwarding address, and using this to look up an immediate next hop in an IGP's routes. Such groups support distant peers, but need to be informed of the IGP whose routes they are using to determine immediate next hops. This implementation comes closest to the IBGP implementation of other router vendors.

You should use the IBGP Routing group as the mechanism to configure the XP for IBGP. If the peers are directly connected, then IBGP using group-type Internal can also be used. Note that for running IBGP using group-type Routing you must run an IGP such as OSPF to resolve the next hops that come with external routes. You could also use protocol **any** so that all protocols are eligible to resolve the BGP forwarding address.

Figure 12 shows a sample BGP configuration that uses the Routing group type.

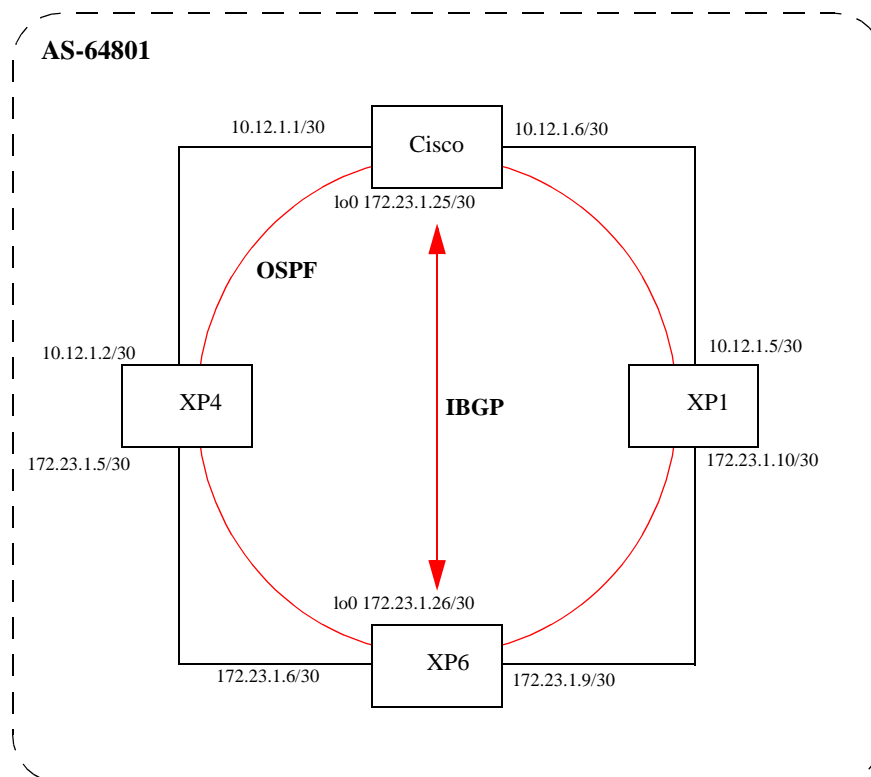


Figure 12. Sample IBGP Configuration (Routing Group Type)

In this example, OSPF is configured as the IGP in the autonomous system. The following lines in the router XP6 configuration file configure OSPF:

```
#
# Create a secondary address for the loopback interface
#
interface add ip lo0 address-netmask 172.23.1.26/30
ospf create area backbone
ospf add interface to-XP4 to-area backbone
ospf add interface to-XP1 to-area backbone
#
# This line is necessary because we want CISCO to peer with our loopback
# address.This will make sure that the loopback address gets announced
# into OSPF domain
#
ospf add stub-host 172.23.1.26 to-area backbone cost 1
ospf set interface to-XP4 priority 2
ospf set interface to-XP1 priority 2
ospf set interface to-XP4 cost 2
ospf start
```

The following lines in the Cisco router configure OSPF:

```
The following lines on the CISCO 4500 configures it for OSPF.
router ospf 1
network 10.12.1.1 0.0.0.0 area 0
network 10.12.1.6 0.0.0.0 area 0
network 172.23.1.14 0.0.0.0 area 0
```

The following lines in the XP6 set up peering with the Cisco router using the Routing group type.

```
# Create a internal routing group.
bgp create peer-group ibgp1 type routing autonomous-system 64801 proto any interface all
# Add CISCO to the above group
bgp add peer-host 172.23.1.25 group ibgp1
# Set our local address. This line is necessary because we want CISCO to
# peer with our loopback
bgp set peer-group ibgp1 local-address 172.23.1.26
# Start BGP
bgp start
```

The following lines on the Cisco router set up IBGP peering with router XP6.

```
router bgp 64801
!
! Disable synchronization between BGP and IGP
!
no synchronization
neighbor 172.23.1.26 remote-as 64801
!
! Allow internal BGP sessions to use any operational interface for TCP
! connections
!
neighbor 172.23.1.26 update-source Loopback0
```

IBGP Internal Group Example

The IBGP Internal group expects all peers to be directly attached to a shared subnet so that, like external peers, the next hops received in BGP advertisements may be used directly for forwarding. All Internal group peers should be L2 adjacent.

Figure 13 illustrates a sample IBGP Internal group configuration.

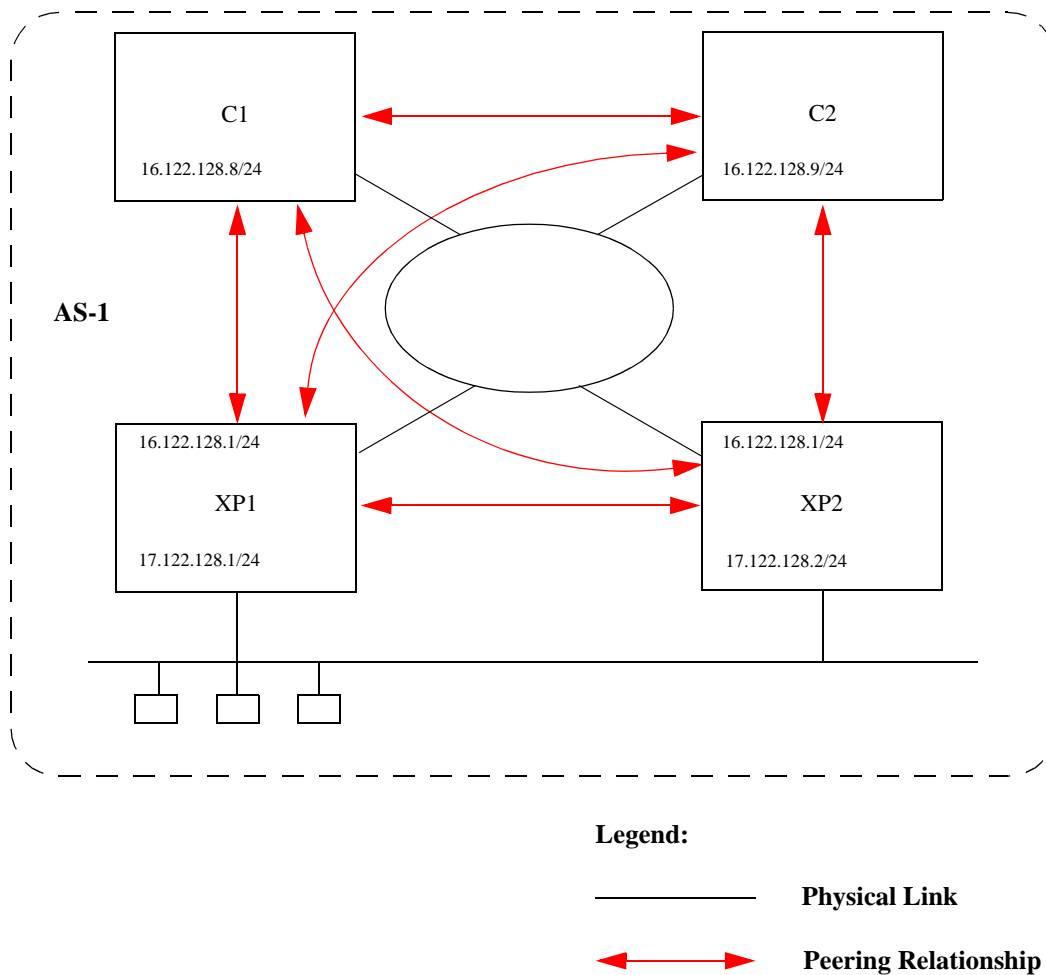


Figure 13. Sample IBGP Configuration (Internal Group Type)

The CLI configuration for router XP1 is as follows:

```
ip-router global set autonomous-system 1
bgp create peer-group int-ibgp-1 type internal autonomous-system 1
bgp add peer-host 16.122.128.2 group int-ibgp-1
bgp add peer-host 16.122.128.8 group int-ibgp-1
bgp add peer-host 16.122.128.9 group int-ibgp-1
```

The gated.conf file for router XP1 is as follows:

```

autonomoussystem 1 ;

routerid 16.122.128.1 ;

bgp yes {
    traceoptions aspath detail packets detail open detail update ;

    group type internal peeras 1
    {
        peer 16.122.128.2
        ;
        peer 16.122.128.8
        ;
        peer 16.122.128.9
        ;
    };
};

```

The CLI configuration for router XP2 is as follows:

```

ip-router global set autonomous-system 1
bgp create peer-group int-ibgp-1 type internal autonomous-system 1
bgp add peer-host 16.122.128.1 group int-ibgp-1
bgp add peer-host 16.122.128.8 group int-ibgp-1
bgp add peer-host 16.122.128.9 group int-ibgp-1

```

The gated.conf file for router XP2 is as follows:

```

autonomoussystem 1 ;

routerid 16.122.128.2 ;

bgp yes {
    traceoptions aspath detail packets detail open detail update ;

    group type internal peeras 1
    {
        peer 16.122.128.1
        ;
        peer 16.122.128.8
        ;
        peer 16.122.128.9
        ;
    };
};

```

The configuration for router C1 (a Cisco router) is as follows:

```
router bgp 1
no synchronization
network 16.122.128.0 mask 255.255.255.0
network 17.122.128.0 mask 255.255.255.0
neighbor 16.122.128.1 remote-as 1
neighbor 16.122.128.1 next-hop-self
neighbor 16.122.128.1 soft-reconfiguration inbound
neighbor 16.122.128.2 remote-as 1
neighbor 16.122.128.2 next-hop-self
neighbor 16.122.128.2 soft-reconfiguration inbound
neighbor 16.122.128.9 remote-as 1
neighbor 16.122.128.9 next-hop-self
neighbor 16.122.128.9 soft-reconfiguration inbound
neighbor 18.122.128.4 remote-as 4
```

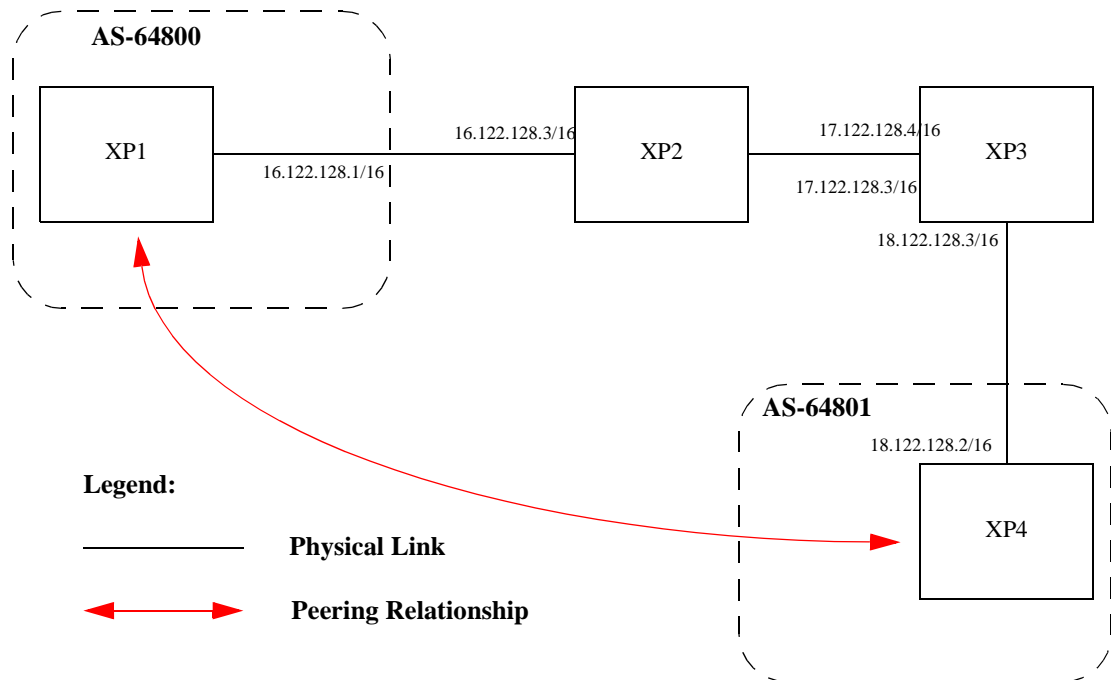
The configuration for router C2 (a Cisco router) is as follows:

```
router bgp 1
no synchronization
network 16.122.128.0 mask 255.255.255.0
network 17.122.128.0 mask 255.255.255.0
neighbor 14.122.128.5 remote-as 5
neighbor 16.122.128.1 remote-as 1
neighbor 16.122.128.1 next-hop-self
neighbor 16.122.128.1 soft-reconfiguration inbound
neighbor 16.122.128.2 remote-as 1
neighbor 16.122.128.2 next-hop-self
neighbor 16.122.128.2 soft-reconfiguration inbound
neighbor 16.122.128.8 remote-as 1
neighbor 16.122.128.8 next-hop-self
neighbor 16.122.128.8 soft-reconfiguration inbound
```

EBGP Multihop Configuration Example

EBGP Multihop refers to a configuration where external BGP neighbors are not connected to the same subnet. Such neighbors are logically, but not physically connected. For example, BGP can be run between external neighbors across non-BGP routers. Some additional configuration is required to indicate that the external peers are not physically attached.

This sample configuration shows External BGP peers, XP1 and XP4, which are not connected to the same subnet.



The CLI configuration for router XP1 is as follows:

```

bgp create peer-group ebgp_multihop autonomous-system 64801 type external
bgp add peer-host 18.122.128.2 group ebgp_multihop
!
! Specify the gateway option, which indicates EBGP multihop. Set the
! gateway option to the address of the router that has a route to the
! peer.
!
bgp set peer-host 18.122.128.2 gateway 16.122.128.3 group ebgp_multihop

```

The gated.conf file for router XP1 is as follows:

```
autonomoussystem 64800 ;  
  
routerid 0.0.0.1 ;  
  
bgp yes {  
    traceoptions state ;  
  
    group type external peeras 64801  
    {  
        peer 18.122.128.2  
            gateway 16.122.128.3  
        ;  
    }  
};  
  
static {  
    18.122.0.0 masklen 16  
        gateway 16.122.128.3  
    ;  
};
```

The CLI configuration for router XP2 is as follows:

```
interface create ip to-R1 address-netmask 16.122.128.3/16 port et.1.1  
interface create ip to-R3 address-netmask 17.122.128.3/16 port et.1.2  
#  
# Static route needed to reach 18.122.0.0/16  
#  
ip add route 18.122.0.0/16 gateway 17.122.128.4
```

The gated.conf file for router XP2 is as follows:

```
static {  
    18.122.0.0 masklen 16  
        gateway 17.122.128.4  
    ;  
};
```

The CLI configuration for router XP3 is as follows:

```
interface create ip to-R2 address-netmask 17.122.128.4/16 port et.4.2  
interface create ip to-R4 address-netmask 18.122.128.4/16 port et.4.4  
ip add route 16.122.0.0/16 gateway 17.122.128.3
```

The gated.conf file for router XP3 is as follows:

```
static {
    16.122.0.0 masklen 16
        gateway 17.122.128.3
    ;
};
```

The CLI configuration for router XP4 is as follows:

```
bgp create peer-group ebgp_multihop autonomous-system 64801 type external
bgp add peer-host 18.122.128.2 group ebgp_multihop
!
! Specify the gateway option, which indicates EBGP multihop. Set the
! gateway option to the address of the router that has a route to the
! peer.
!
bgp set peer-host 18.122.128.2 gateway 16.122.128.3 group ebgp_multihop
```

The gated.conf file for router XP4 is as follows:

```
autonomoussystem 64800 ;

routerid 0.0.0.1 ;

bgp yes {
    traceoptions state ;

    group type external peeras 64801
    {
        peer 18.122.128.2
            gateway 16.122.128.3
```

Community Attribute Example

The following configuration illustrates the BGP community attribute. Community is specified as one of the parameters in the **optional attributes list** option of the **ip-router policy create** command.

[Figure 14](#) shows a BGP configuration where the specific community attribute is used. [Figure 15](#) shows a BGP configuration where the well-known community attribute is used.

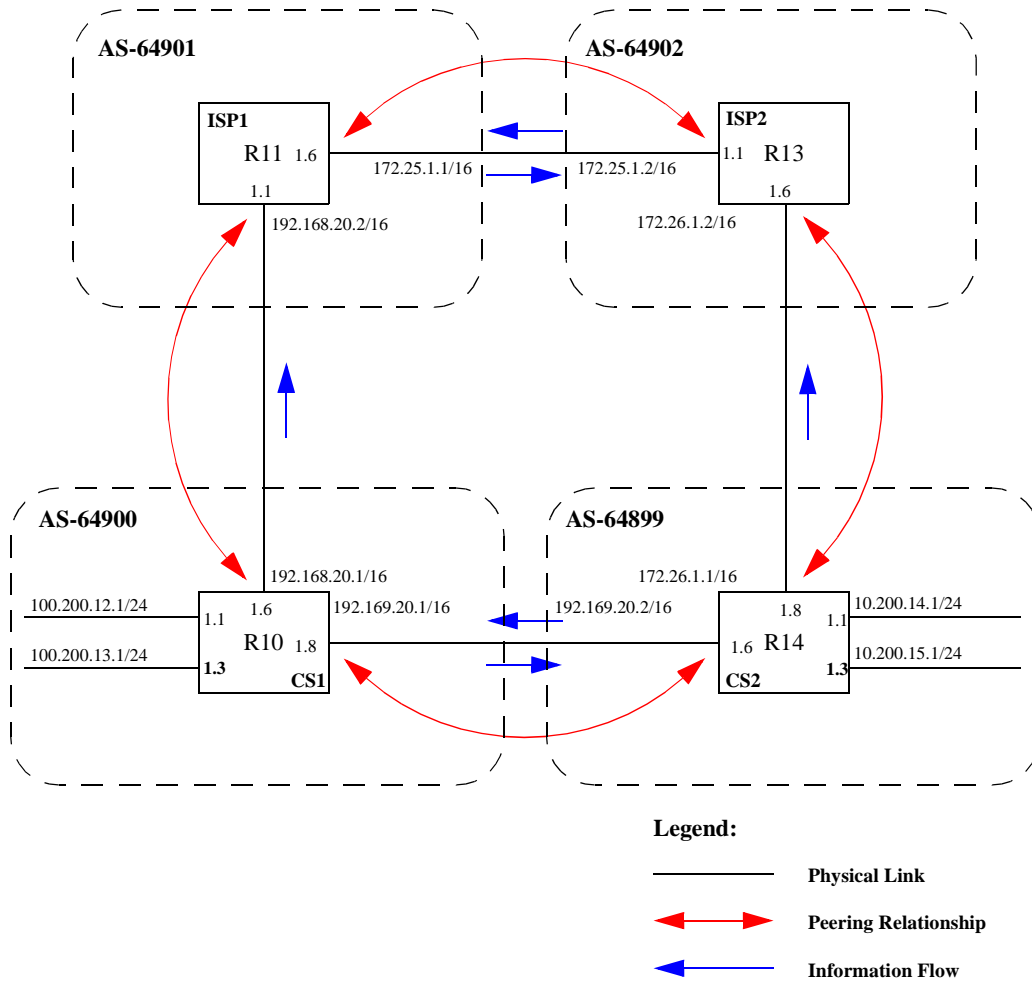


Figure 14. Sample BGP Configuration (Specific Community)

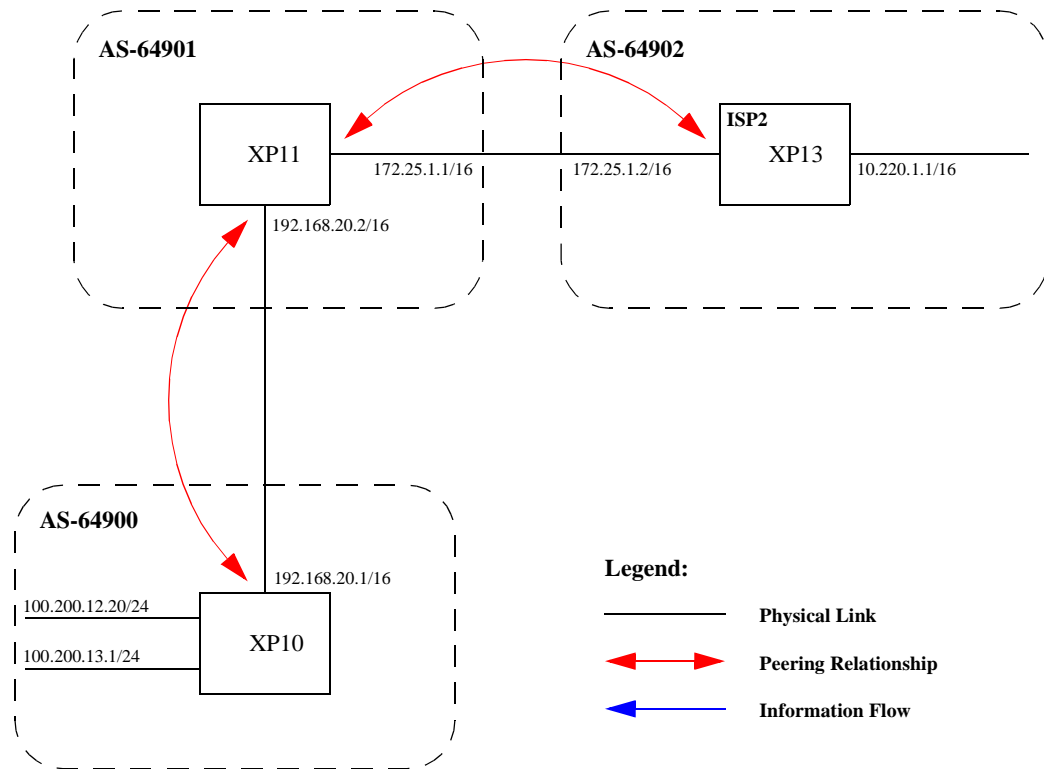


Figure 15. Sample BGP Configuration (Well-Known Community)

The Community attribute can be used in three ways:

1. In a BGP Group statement: Any packets sent to this group of BGP peers will have the communities attribute in the BGP packet modified to be this communities attribute value from this AS.
2. In an Import Statement: Any packets received from a BGP peer will be checked for the community attribute. The **optional-attributes-list** option of the **ip-router policy create** command allows the specification of an import policy based on optional path attributes (for instance, the community attribute) found in the BGP update. If multiple communities are specified in the **optional-attributes-list** option, only updates carrying all of the specified communities will be matched. If **well-known-community none** is specified, only updates lacking the community attribute will be matched.

Note that it is quite possible for several BGP import clauses to match a given update. If more than one clause matches, the first matching clause will be used; all later matching clauses will be ignored. For this reason, it is generally desirable to order import clauses from most to least specific. An import clause without an **optional-attributes-list** option will match any update with any (or no) communities.

In [Figure 15](#), router XP11 has the following configuration:

```
#
# Create an optional attribute list with identifier color1 for a community
# attribute (community-id 160 AS 64901)
#
ip-router policy create optional-attributes-list color1 community-id 160 autonomous-system 64901
#
# Create an optional attribute list with identifier color2 for a community
# attribute (community-id 155 AS 64901)
#
ip-router policy create optional-attributes-list color2 community-id 155 autonomous-system 64901
#
# Create a BGP import source for importing routes from AS 64900 containing the
# community attribute (community-id 160 AS 64901). This import source is given an
# identifier 901color1 and sequence-number 1.
#
ip-router policy create bgp-import-source 901color1 optional-attributes-list color1 autonomous-system 64900 sequence-
number 1
ip-router policy create bgp-import-source 901color2 optional-attributes-list color2 autonomous-system 64900 sequence-
number 2
ip-router policy create bgp-import-source 901color3 optional-attributes-list color1 autonomous-system 64902 sequence-
number 3
ip-router policy create bgp-import-source 901color4 optional-attributes-list color2 autonomous-system 64902 sequence-
number 4
#
# Import all routes matching BGP import source 901color1 (from AS 64900 having
# community attribute with ID 160 AS 64901) with a preference of 160
#
ip-router policy import source 901color1 network all preference 160
ip-router policy import source 901color2 network all preference 155
ip-router policy import source 901color3 network all preference 160
ip-router policy import source 901color4 network all preference 155
```

In [Figure 15](#), router XP13 has the following configuration:

```
ip-router policy create optional-attributes-list color1 community-id 160 autonomous-system 64902
ip-router policy create optional-attributes-list color2 community-id 155 autonomous-system 64902
ip-router policy create bgp-import-source 902color1 optional-attributes-list color1 autonomous-system 64899 sequence-
number 1
ip-router policy create bgp-import-source 902color2 optional-attributes-list color2 autonomous-system 64899 sequence-
number 2
ip-router policy create bgp-import-source 902color3 optional-attributes-list color1 autonomous-system 64901 sequence-
number 3
ip-router policy create bgp-import-source 902color4 optional-attributes-list color2 autonomous-system 64901 sequence-
number 4
ip-router policy import source 902color1 network all preference 160
ip-router policy import source 902color2 network all preference 155
ip-router policy import source 902color3 network all preference 160
ip-router policy import source 902color4 network all preference 155
```

3. In an Export Statement: The **optional-attributes-list** option of the **ip-router policy create bgp-export-destination** command may be used to send the BGP community attribute. Any

communities specified with the **optional-attributes-list** option are sent in addition to any received in the route or specified with the group.

In [Figure 15](#), router XP10 has the following configuration:

```
#
# Create an optional attribute list with identifier color1 for a community
# attribute (community-id 160 AS 64902)
#
ip-router policy create optional-attributes-list color1 community-id 160 autonomous-system 64902
#
# Create an optional attribute list with identifier color2 for a community
# attribute (community-id 155 AS 64902)
#
ip-router policy create optional-attributes-list color2 community-id 155 autonomous-system 64902
#
# Create a direct export source
#
ip-router policy create direct-export-source 900toanydir metric 10
#
# Create BGP export-destination for exporting routes to AS 64899 containing the
# community attribute (community-id 160 AS 64902). This export-destination has an
# identifier 900to899dest
#
ip-router policy create bgp-export-destination 900to899dest autonomous-system 64899 optional-attributes-list color1
ip-router policy create bgp-export-destination 900to901dest autonomous-system 64901 optional-attributes-list color2
#
# Export routes to AS 64899 with the community attribute (community-id 160 AS
# 64902)
#
ip-router policy export destination 900to899dest source 900toanydir network all
ip-router policy export destination 900to901dest source 900toanydir network all
```

In [Figure 15](#), router XP14 has the following configuration:

```
ip-router policy create bgp-export-destination 899to900dest autonomous-system 64900 optional-attributes-list color1
ip-router policy create bgp-export-destination 899to902dest autonomous-system 64902 optional-attributes-list color2
ip-router policy create bgp-export-source 900toany autonomous-system 64900 metric 10
ip-router policy create optional-attributes-list color1 community-id 160 autonomous-system 64901
ip-router policy create optional-attributes-list color2 community-id 155 autonomous-system 64901
ip-router policy export destination 899to900dest source 899toanydir network all
ip-router policy export destination 899to902dest source 899toanydir network all
```

Any communities specified with the **optional-attributes-list** option are sent in addition to any received with the route or associated with a BGP export destination.

The community attribute may be a single community or a set of communities. A maximum of 10 communities may be specified.

The community attribute can take any of the following forms:

- Specific community

The specific community consists of the combination of the AS-value and community ID.

- Well-known-community no-export

Well-known-community no-export is a special community which indicates that the routes associated with this attribute must not be advertised outside a BGP confederation boundary. Since the XP's implementation does not support Confederations, this boundary is an AS boundary.

For example, router XP10 in [Figure 15](#) has the following configuration:

```
ip-router policy create optional-attributes-list noexport well-known-community no-export
ip-router policy create bgp-export-destination 900to901dest autonomous-system 64901 optional-attributes-
list noexport
ip-router policy export destination 900to901dest source 900to901src network all
ip-router policy export destination 900to901dest source 900to901dir network all
```

- Well-known-community no-advertise

Well-known-community no-advertise is a special community indicating that the routes associated with this attribute must not be advertised to other bgp peers. A packet can be modified to contain this attribute and passed to its neighbor. However, if a packet is received with this attribute, it cannot be transmitted to another BGP peer.

- Well-known-community no-export-subconfed

Well-known-community no-export-subconfed is a special community indicating the routes associated with this attribute must not be advertised to external BGP peers. (This includes peers in other members' autonomous systems inside a BGP confederation.)

A packet can be modified to contain this attribute and passed to its neighbor. However, if a packet is received with this attribute, the routes (prefix-attribute pair) cannot be advertised to an external BGP peer.

- Well-known-community none

This is not actually a community, but rather a keyword that specifies that a received BGP update is only to be matched if no communities are present. It has no effect when originating communities.

Notes on Using Communities

When originating BGP communities, the set of communities that is actually sent is the union of the communities received with the route (if any), those specified in group policy (if any), and those specified in export policy (if any).

When receiving BGP communities, the update is only matched if all communities specified in the **optional-attributes-list** option of the **ip-router policy create** command are present in the BGP update. (If additional communities are also present in the update, it will still be matched.)

Local Preference Examples

There are two methods of specifying the local preference with the **bgp set peer-group** command:

- Setting the **local-pref** option. This option can only be used for the internal, routing, and IGP group types and is not designed to be sent outside of the AS.
- Setting the **set-pref** option, which allows GateD to set the local preference to reflect GateD's own internal preference for the route, as given by the global protocol preference value. Note that in this case, local preference is a function of the GateD preference and set-pref options.

[Figure 16](#) shows a BGP configuration that uses the BGP local preference attribute in a sample BGP configuration with two autonomous systems. All traffic exits Autonomous System 64901 through the link between router XP13 and router XP11. This is accomplished by configuring a higher local preference on router XP13 than on router XP12. Because local preference is exchanged between the routers within the AS, all traffic from AS 64901 is sent to XP13 as the exit point.

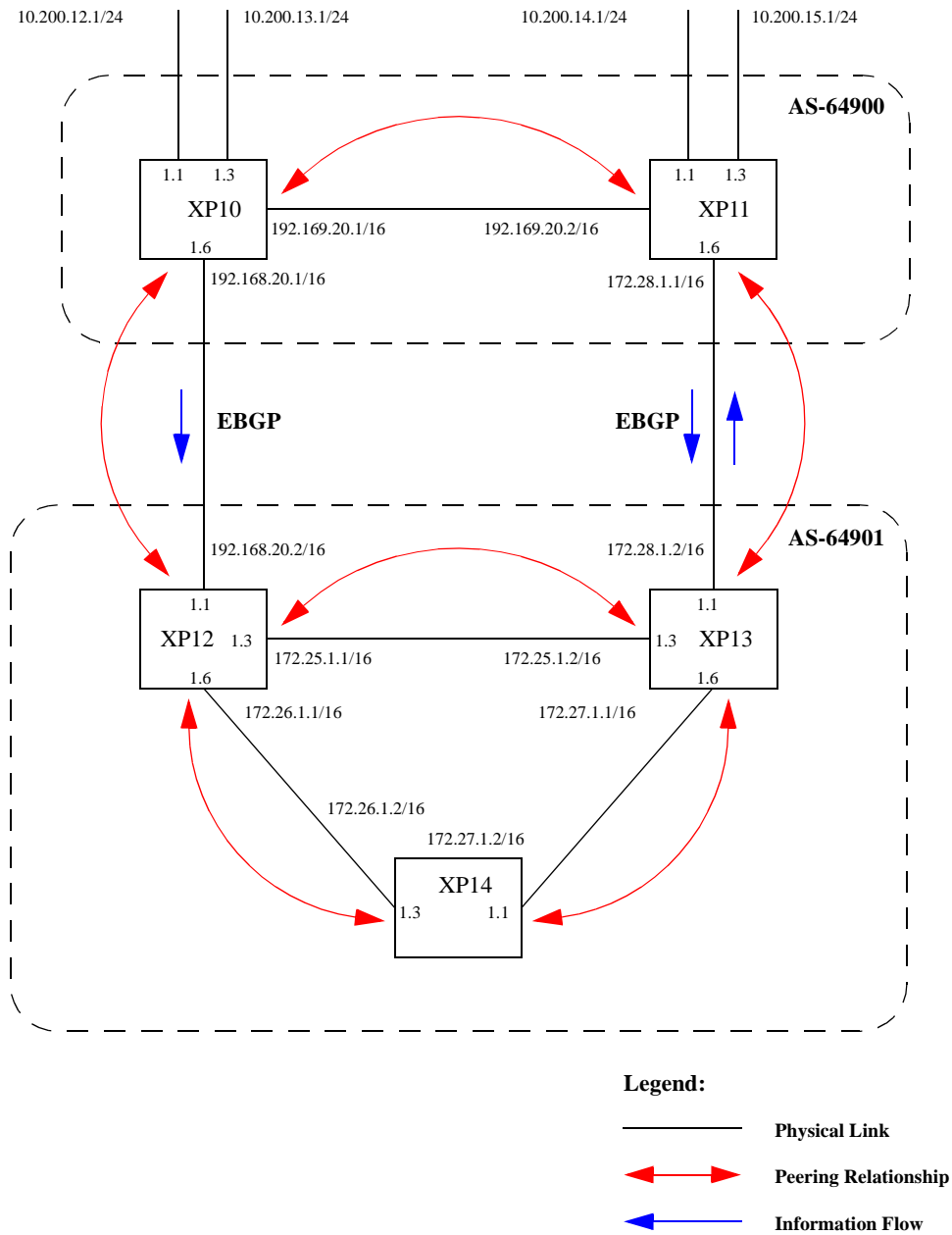


Figure 16. Sample BGP Configuration (Local Preference)

The following sections explain how to configure the local preference using the **local-pref** and the **set-pref** options.

Using the local-pref Option

For router XP12's CLI configuration file, **local-pref** is set to 194:

```
bgp set peer-group as901 local-pref 194
```

For router XP13, **local-pref** is set to 204.

```
bgp set peer-group as901 local-pref 204
```

Using the set-pref Option

The formula used to compute the local preference is as follows:

Local_Pref = 254 – (global protocol preference for this route) + set-pref metric

Note: A value greater than 254 will be reset to 254. GateD will only send Local_Pref values between 0 and 254.

In a mixed GateD and non-GateD network, the non-GateD IBGP implementation may send Local_Pref values that are greater than 254. When operating a mixed network of this type, you should make sure that all routers are restricted to sending Local_Pref values in the range metric to 254.

In router XP12's CLI configuration file, the import preference is set to 160:

```
#
# Set the set-pref metric for the IBGP peer group
#
bgp set peer-group as901 set-pref 100
ip-router policy create bgp-import-source as900 autonomous-system 64900 preference 160
```

Using the formula for local preference [Local_Pref = 254 - (global protocol preference for this route) + metric], the Local_Pref value put out by router XP12 is 254 - 160+100 = 194.

For router XP13, the import preference is set to 150. The Local_Pref value put out by router XP13 is 254 - 150+100 = 204.

```
ip-router policy create bgp-import-source as900 autonomous-system 64900 preference 150
```

Note the following when using the **set-pref** option:

- All routers in the same network that are running GateD and participating in IBGP should use the **set-pref** option, and the **set-pref** metric should be set to the same value.

For example, in [Figure 16](#), routers XP12, XP13, and XP14 have the following line in their CLI configuration files:

```
bgp set peer-group as901 set-pref 100
```

- The value of the **set-pref** option should be consistent with the import policy in the network.

The metric value should be set high enough to avoid conflicts between BGP routes and IGP or static routes. For example, if the import policy sets GateD preferences ranging from 170 to 200, a set-pref metric of 170 would make sense. You should set the metric high enough to avoid conflicts between BGP routes and IGP or static routes.

Multi-Exit Discriminator Attribute Example

Multi-Exit Discriminator (MED) is a BGP attribute that affects the route selection process. MED is used on external links to discriminate among multiple exit or entry points to the same neighboring AS. All other factors being equal, the exit or entry point with a lower metric should be preferred. If received over external links, the MED attribute may be propagated over internal links to other BGP speakers within the same AS. The MED attribute is never propagated to other BGP speakers in neighboring autonomous systems.

[Figure 17](#) shows a sample BGP configuration where the MED attribute has been used.

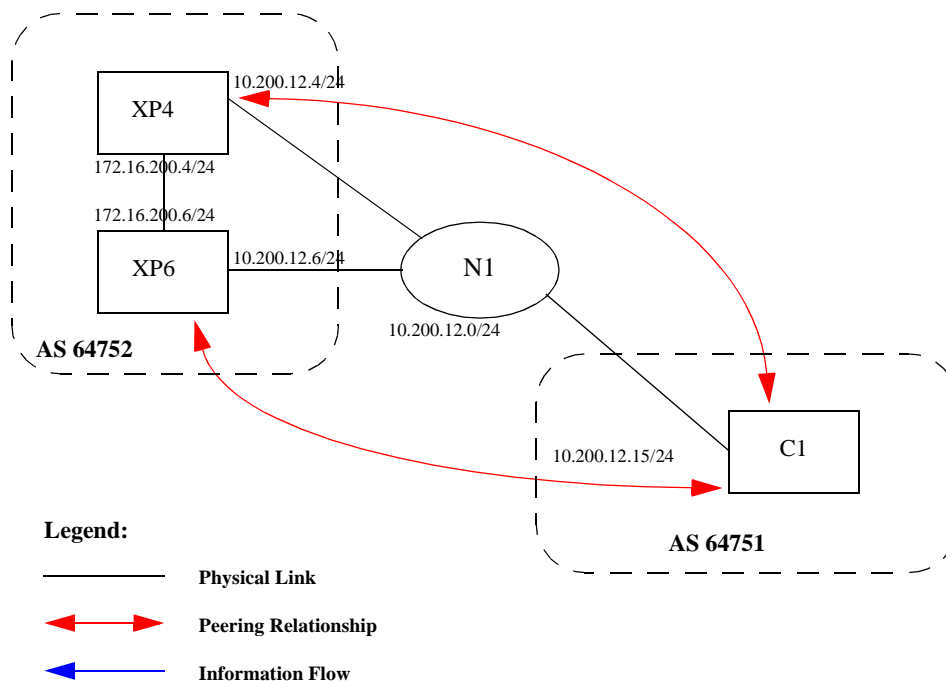


Figure 17. Sample BGP Configuration (MED Attribute)

Routers XP4 and XP6 inform router C1 about network 172.16.200.0/24 through External BGP (EBGP). Router XP6 announced the route with a MED of 10, whereas router XP4 announces the route with a MED of 20. Of the two EBGP routes, router C1 chooses the one with a smaller MED. Thus router C1 prefers the route from router XP6, which has a MED of 10.

Router XP4 has the following CLI configuration:

```
bgp create peer-group pg752to751 type external autonomous-system 64751
bgp add peer-host 10.200.12.15 group pg752to751
#
# Set the MED to be announced to peer group pg752to751
#
bgp set peer-group pg752to751 metric-out 20
```

Router XP6 has the following CLI configuration:

```
bgp create peer-group pg752to751 type external autonomous-system 64751
bgp add peer-host 10.200.12.15 group pg752to751
bgp set peer-group pg752to751 metric-out 10
```

EBGP Aggregation Example

Figure 18 shows a simple EBGP configuration in which one peer is exporting an aggregated route to its upstream peer and restricting the advertisement of contributing routes to the same peer. The aggregated route is 212.19.192.0/19.

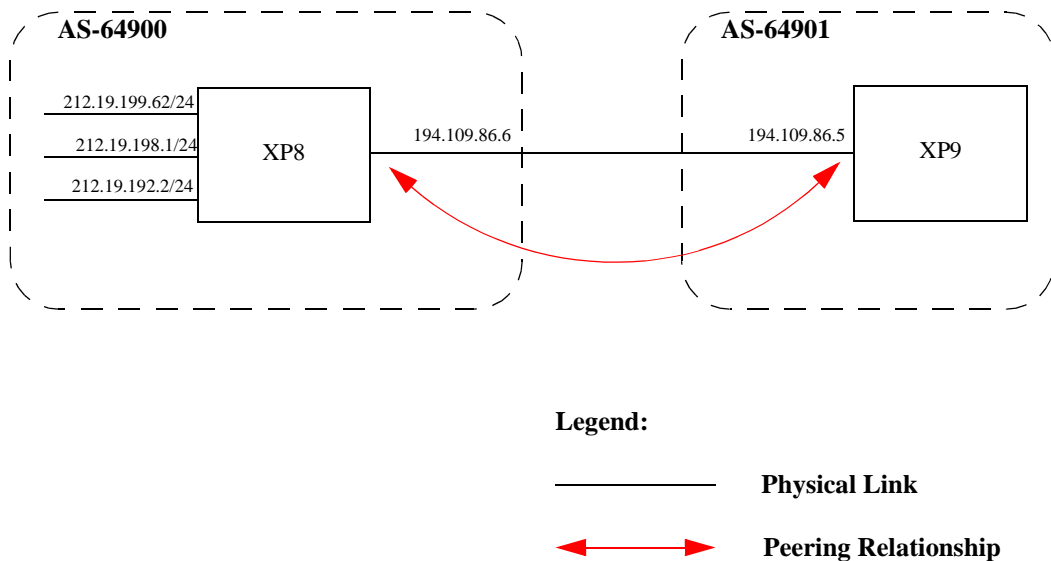


Figure 18. Sample BGP Configuration (Route Aggregation)

Router XP8 has the following CLI configuration:

```
interface add ip xleapnl address-netmask 212.19.192.2/24
interface create ip hobbygate address-netmask 212.19.199.62/24 port et.1.2
interface create ip xenosite address-netmask 212.19.198.1/24 port et.1.7
interface add ip lo0 address-netmask 212.19.192.1/30
bgp create peer-group webnet type external autonomous system 64901
bgp add peer-host 194.109.86.5 group webnet
#
# Create an aggregate route for 212.19.192.0/19 with all its subnets as
# contributing routes
#
ip-router policy summarize route 212.19.192.0/19
ip-router policy redistribute from-proto aggregate to-proto bgp target-as 64901 network 212.19.192.0/19
ip-router policy redistribute from-proto direct to-proto bgp target-as 64901 network all restrict
```

Router XP9 has the following CLI configuration:

```
bgp create peer-group rtr8 type external autonomous system 64900
bgp add peer-host 194.109.86.6 group rtr8
```

Route Reflection Example

In some ISP networks, the internal BGP mesh becomes quite large, and the IBGP full mesh does not scale well. For such situations, route reflection provides a way to alleviate the need for a full IBGP mesh. In route reflection, the clients peer with the route reflector and exchange routing information with it. In turn, the route reflector passes on (reflects) information between clients.

The IBGP peers of the route reflector fall under two categories: clients and non-clients. A route reflector and its clients form a cluster. All peers of the route reflector that are not part of the cluster are non-clients. The XP supports client peers as well as non-client peers of a route reflector.

Figure 19 shows a sample configuration that uses route reflection.

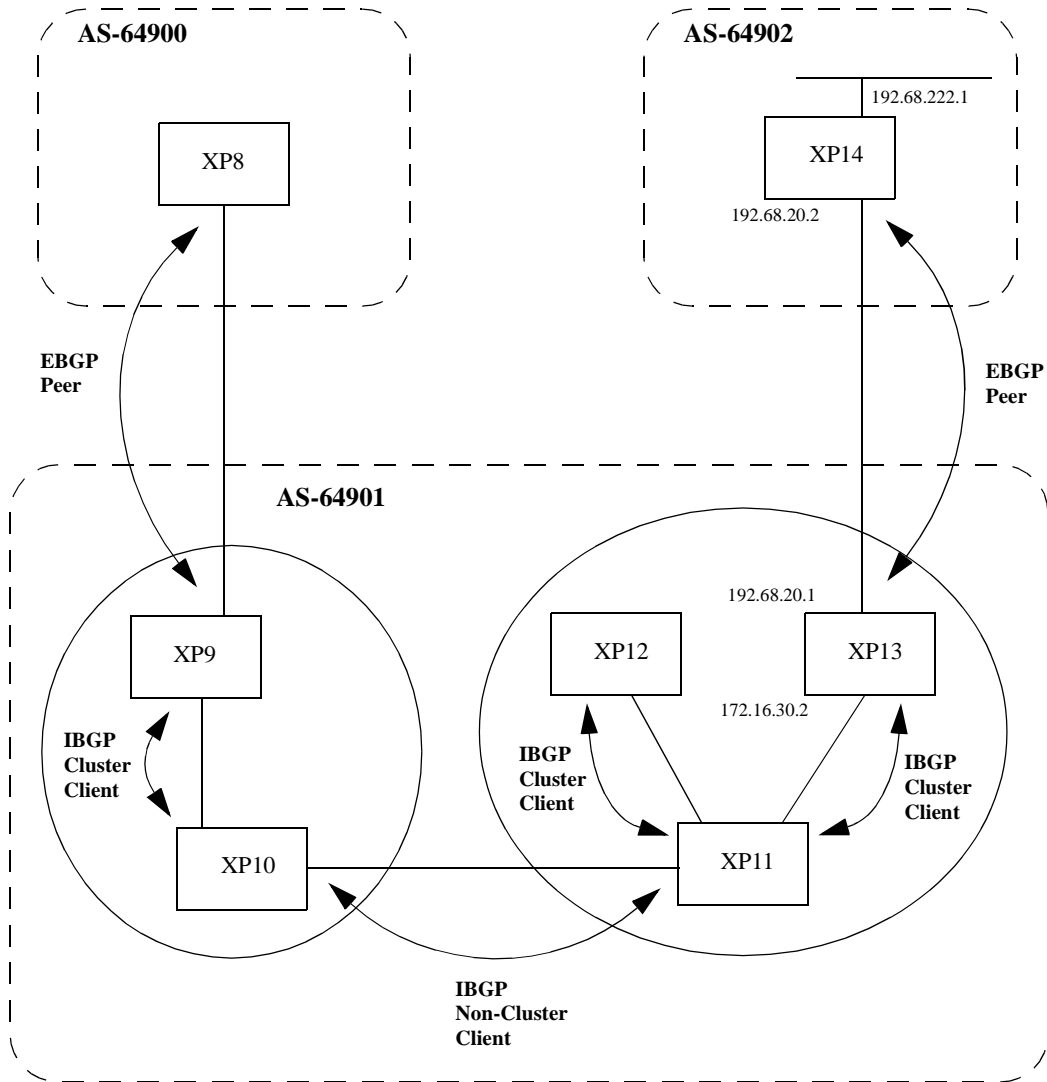


Figure 19. Sample BGP Configuration (Route Reflection)

In this example, there are two clusters. Router XP10 is the route reflector for the first cluster and router XP11 is the route reflector for the second cluster. Router XP10 has router XP9 as a client peer and router XP11 as a non-client peer.

The following line in router XP10's configuration file causes it to be a route reflector.

```
bgp set peer-group XP9 reflector-client
```

Router XP11 has router XP12 and router XP13 as client peers and router XP10 as non-client peer. The following line in router XP11's configuration file specifies it to be a route reflector

```
bgp set peer-group rtr11 reflector-client
```

Even though the IBGP Peers are not fully meshed in AS 64901, the direct routes of router XP14, that is, 192.68.222.0/24 in AS 64902 (which are redistributed in BGP) do show up in the route table of router XP8 in AS64900, as shown below:

```
*****
* Route Table (FIB) of Router 8          *
*****
rtr-8# ip show routes

Destination      Gateway          Owner  Netif
-----
10.50.0.0/16     directly connected -      en
127.0.0.0/8      127.0.0.1       Static lo
127.0.0.1        127.0.0.1       -      lo
172.16.20.0/24   directly connected -      mls1
172.16.70.0/24   172.16.20.2     BGP    mls1
172.16.220.0/24  172.16.20.2     BGP    mls1
192.68.11.0/24   directly connected -      mls0
192.68.20.0/24   172.16.20.2     BGP    mls1
192.68.222.0/24  172.16.20.2     BGP    mls1
```

The direct routes of router XP8, i.e. 192.68.11.0/24 in AS64900 (which are redistributed in BGP), do show up in the route table of router XP14 in AS64902, as shown below:

```
*****
* Route Table (FIB) of Router 14       *
*****
rtr-14# ip show routes

Destination      Gateway          Owner  Netif
-----
10.50.0.0/16     directly connected -      en0
127.0.0.0/8      127.0.0.1       Static lo0
127.0.0.1        127.0.0.1       -      lo0
172.16.20.0/24   192.68.20.1     BGP    mls1
172.16.30.0/24   192.68.20.1     BGP    mls1
172.16.90.0/24   192.68.20.1     BGP    mls1
192.68.11.0/24   192.68.20.1     BGP    mls1
192.68.20.0/24   directly connected -      mls1
192.68.222.0/24  directly connected -      mls0
```


Notes on Using Route Reflection

- Two types of route reflection are supported:
 - By default, all routes received by the route reflector from a client are sent to all internal peers (including the client's group, but not the client itself).
 - If the **no-client-reflect** option is enabled, routes received from a route reflection client are sent only to internal peers that are not members of the client's group. In this case, the client's group must itself be fully meshed.

In either case, all routes received from a non-client internal peer are sent to all route reflection clients.

- Typically, a single router acts as the reflector for a cluster of clients. However, for redundancy, two or more may also be configured to be reflectors for the same cluster. In this case, a cluster ID should be selected to identify all reflectors serving the cluster, using the **clusterid** option. Gratuitous use of multiple redundant reflectors is not advised, since it can lead to an increase in the memory required to store routes on the redundant reflectors' peers.
- No special configuration is required on the route reflection clients. From a client's perspective, a route reflector is simply a normal IBGP peer. Any BGP version 4 speaker can be a reflector client.
- It is necessary to export routes from the local AS into the local AS when acting as a route reflector.

To accomplish this, routers XP10 and XP11 have the following line in their configuration files:

```
ip-router policy redistribute from-proto bgp source-as 64901 to-proto bgp target-as 64901
```

- If the cluster ID is changed, all BGP sessions with reflector clients will be dropped and restarted.

Chapter 16

Routing Policy Configuration Guide

Route Import and Export Policy Overview

The XP family of routers supports extremely flexible routing policies. The XP allows the network administrator to control import and export of routing information based on criteria including:

- Individual protocol
- Source and destination autonomous system
- Source and destination interface
- Previous hop router
- Autonomous system path
- Tag associated with routes
- Specific destination address

The network administrator can specify a preference level for each combination of routing information being imported by using a flexible masking capability.

The XP also provides the ability to create advanced and simple routing policies. Simple routing policies provide a quick route redistribution between various routing protocols (RIP and OSPF). Advanced routing policies provide more control over route redistribution.

Preference

Preference is the value the XP routing process uses to order preference of routes from one protocol or peer over another. Preference can be set using several different configuration commands.

Preference can be set based on one network interface over another, from one protocol over another, or from one remote gateway over another. Preference may not be used to control the selection of routes within an Interior Gateway Protocol (IGP). This is accomplished automatically by the protocol based on metric.

Preference may be used to select routes from the same Exterior Gateway Protocol (EGP) learned from different peers or autonomous systems. Each route has only one preference value associated with it, even though the preference can be set at many places using configuration commands. The last or most specific preference value set for a route is the value used. A preference value is an arbitrarily assigned value used to determine the order of routes to the same destination in a single routing database. The active route is chosen by the lowest preference value.

A default preference is assigned to each source from which the XP routing process receives routes. Preference values range from 0 to 255 with the lowest number indicating the most preferred route.

The following table summarizes the default preference values for routes learned in various ways. The table lists the CLI commands that set preference, and shows the types of routes to which each CLI command applies. A default preference for each type of route is listed, and the table notes preference precedence between protocols. The narrower the scope of the statement, the higher precedence its preference value is given, but the smaller the set of routes it affects.

Table 9. Default Preference Values

Preference	Defined by CLI Command	Default
Direct connected networks	ip-router global set interface	0
OSPF routes	ospf	10
Static routes from config	ip add route	60
RIP routes	rip set preference	100
Point-to-point interface		110
Routes to interfaces that are down	ip-router global set interface down-preference	120
Aggregate/generate routes	aggr-gen	130
OSPF AS external routes	ospf set ase-defaults preference	150
BGP routes	bgp set preference	170

Import Policies

Import policies control the importation of routes from routing protocols and their installation in the routing databases (Routing Information Base and Forwarding Information Base). Import Policies determine which routes received from other systems are used by the XP routing process. Every import policy can have up to two components:

- Import-Source

- Route-Filter

Import-Source

This component specifies the source of the imported routes. It can also specify the preference to be associated with the routes imported from this source.

The routes to be imported can be identified by their associated attributes:

- Type of the source protocol (RIP, OSPF, BGP).
- Source interface or gateway from which the route was received.
- Source autonomous system from which the route was learned.
- AS path associated with a route. Besides autonomous system, BGP also supports importation of routes using AS path regular expressions and AS path options.
- If multiple communities are specified using the optional-attributes-list, only updates carrying all of the specified communities will be matched. If the specified optional-attributes-list has the value **none** for the **well-known-community** option, then only updates lacking the community attribute will be matched.

In some cases, a combination of the associated attributes can be specified to identify the routes to be imported.

Note: It is quite possible for several BGP import policies to match a given update. If more than one policy matches, the first matching policy will be used. All later matching policies will be ignored. For this reason, it is generally desirable to order import policies from most to least specific. An import policy with an optional-attributes-list will match any update with any (or no) communities.

The importation of RIP routes may be controlled by source interface and source gateway. RIP does not support the use of preference to choose between RIP routes. That is left to the protocol metrics.

Due to the nature of OSPF, only the importation of ASE routes may be controlled. OSPF intra- and inter-area routes are always imported into the routing table with a preference of 10. If a tag is specified with the import policy, routes with the specified tag will only be imported.

It is only possible to restrict the importation of OSPF ASE routes when functioning as an AS border router.

Like the other interior protocols, preference cannot be used to choose between OSPF ASE routes. That is done by the OSPF costs.

Route-Filter

This component specifies the individual routes which are to be imported or restricted. The preference to be associated with these routes can also be explicitly specified using this component.

The preference associated with the imported routes are inherited unless explicitly specified. If there is no preference specified with a route-filter, then the preference is inherited from the one specified with the import-source.

Every protocol (RIP, OSPF, and BGP) has a configurable parameter that specifies the default-preference associated with routes imported to that protocol. If a preference is not explicitly specified with the route-filter, as well as the import-source, then it is inherited from the default-preference associated with the protocol for which the routes are being imported.

Export Policies

Export policies control the redistribution of routes to other systems. They determine which routes are advertised by the Unicast Routing Process to other systems. Every export policy can have up to three components:

- Export-Destination
- Export-Source
- Route-Filter

Export-Destination

This component specifies the destination where the routes are to be exported. It also specifies the attributes associated with the exported routes. The interface, gateway, or the autonomous system to which the routes are to be redistributed are a few examples of export-destinations. The metric, type, tag, and AS-Path are a few examples of attributes associated with the exported routes.

Export-Source

This component specifies the source of the exported routes. It can also specify the metric to be associated with the routes exported from this source.

The routes to be exported can be identified by their associated attributes:

- Their protocol type (RIP, OSPF, BGP, Static, Direct, Aggregate).
- Interface or the gateway from which the route was received.
- Autonomous system from which the route was learned.
- AS path associated with a route. When BGP is configured, all routes are assigned an AS path when they are added to the routing table. For interior routes, this AS path specifies IGP as the origin and no ASs in the AS path (the current AS is added when the route is exported). For BGP routes, the AS path is stored as learned from BGP.
- Tag associated with a route. Both OSPF and RIP version 2 currently support tags. All other protocols have a tag of zero.

In some cases, a combination of the associated attributes can be specified to identify the routes to be exported.

Route-Filter

This component specifies the individual routes which are to be exported or restricted. The metric to be associated with these routes can also be explicitly specified using this component.

The metric associated with the exported routes is inherited unless explicitly specified. If there is no metric specified with a route-filter, then the metric is inherited from the one specified with the export-source.

If a metric was not explicitly specified with both the route-filter and the export-source, then it is inherited from the one specified with the export-destination.

Every protocol (RIP, OSPF, and BGP) has a configurable parameter that specifies the default-metric associated with routes exported to that protocol. If a metric is not explicitly specified with the route-filter, export-source as well as export-destination, then it is inherited from the default-metric associated with the protocol to which the routes are being exported.

Specifying a Route Filter

Routes are filtered by specifying a route-filter that will match a certain set of routes by destination, or by destination and mask. Among other places, route filters are used with martians and in import and export policies.

The action taken when no match is found is dependent on the context. For instance, a route that does match any of the route-filters associated with the specified import or export policies is rejected.

A route will match the most specific filter that applies. Specifying more than one filter with the same destination, mask, and modifiers generates an error.

There are three possible formats for a route filter. Not all of these formats are available in all places. In most cases, it is possible to associate additional options with a filter. For example, while creating a martian, it is possible to specify the **allow** option, while creating an import policy, one can specify a **preference**, and while creating an export policy one can specify a **metric**.

The three forms of a route-filter are:

- Network [exact | refines | between number,number]
- Network/mask [exact | refines | between number,number]
- Network/masklen [exact | refines | between number,number]

Matching usually requires both an address and a mask, although the mask is implied in the shorthand forms listed below. These three forms vary in how the mask is specified. In the first form,

the mask is implied to be the natural mask of the network. In the second, the mask is explicitly specified. In the third, the mask is specified by the number of contiguous one bits.

If no optional parameters (exact, refines, or between) are specified, any destination that falls in the range given by the network and mask is matched, so the mask of the destination is ignored. If a natural network is specified, the network, any subnets, and any hosts will be matched. Three optional parameters that cause the mask of the destination to also be considered are:

- **Exact:** Specifies that the mask of the destination must match the supplied mask exactly. This is used to match a network, but no subnets or hosts of that network.
- **Refines:** Specifies that the mask of the destination must be more specified (i.e., longer) than the filter mask. This is used to match subnets and/or hosts of a network, but not the network.
- **Between number, number:** Specifies that the mask of the destination must be as or more specific (i.e., as long as or longer) than the lower limit (the first number parameter) and no more specific (i.e., as long as or shorter) than the upper limit (the second number). Note that exact and refines are both special cases of between.

Aggregates and Generates

Route aggregation is a method of generating a more general route, given the presence of a specific route. It is used, for example, at an autonomous system border to generate a route to a network to be advertised via BGP given the presence of one or more subnets of that network learned via OSPF. The routing process does not perform any aggregation unless explicitly requested.

Route aggregation is also used by regional and national networks to reduce the amount of routing information passed around. With careful allocation of network addresses to clients, regional networks can just announce one route to regional networks instead of hundreds.

Aggregate routes are not actually used for packet forwarding by the originator of the aggregate route, but only by the receiver (if it wishes). Instead of requiring a route-peer to know about individual subnets which would increase the size of its routing table, the peer is only informed about an aggregate-route which contains all the subnets.

Like export policies, aggregate-routes can have up to three components:

- Aggregate-Destination
- Aggregate-Source
- Route-Filter

Aggregate-Destination

This component specifies the aggregate/summarized route. It also specifies the attributes associated with the aggregate route. The preference to be associated with an aggregate route can be specified using this component.

Aggregate-Source

This component specifies the source of the routes contributing to an aggregate/summarized route. It can also specify the preference to be associated with the contributing routes from this source. This preference can be overridden by explicitly specifying a preference with the route-filter.

The routes contributing to an aggregate can be identified by their associated attributes:

- Protocol type (RIP, OSPF, BGP, Static, Direct, Aggregate).
- Autonomous system from which the route was learned.
- AS path associated with a route. When BGP is configured, all routes are assigned an AS path when they are added to the routing table. For interior routes, this AS path specifies IGP as the origin and no ASs in the AS path (the current AS is added when the route is exported). For BGP routes, the AS path is stored as learned from BGP.
- Tag associated with a route. Both OSPF and RIP version 2 currently support tags. All other protocols have a tag of zero.

In some cases, a combination of the associated attributes can be specified to identify the routes contributing to an aggregate.

Route-Filter

This component specifies the individual routes that are to be aggregated or summarized. The preference to be associated with these routes can also be explicitly specified using this component.

The contributing routes are ordered according to the aggregation preference that applies to them. If there is more than one contributing route with the same aggregating preference, the route's own preferences are used to order the routes. The preference of the aggregate route will be that of contributing route with the lowest aggregate preference.

A route may only contribute to an aggregate route that is more general than itself; it must match the aggregate under its mask. Any given route may only contribute to one aggregate route, which will be the most specific configured, but an aggregate route may contribute to a more general aggregate.

An aggregate-route only comes into existence if at least one of its contributing routes is active.

Authentication

Authentication guarantees that routing information is only imported from trusted routers. Many protocols like RIP V2 and OSPF provide mechanisms for authenticating protocol exchanges. A variety of authentication schemes can be used. Authentication has two components – an Authentication Method and an Authentication Key. Many protocols allow different authentication methods and keys to be used in different parts of the network.

Authentication Methods

There are mainly two authentication methods:

Simple Password: In this method, an authentication key of up to 8 characters is included in the packet. If this does not match what is expected, the packet is discarded. This method provides little security, as it is possible to learn the authentication key by watching the protocol packets.

MD5: This method uses the MD5 algorithm to create a crypto-checksum of the protocol packet and an authentication key of up to 16 characters. The transmitted packet does not contain the authentication key itself; instead, it contains a crypto-checksum, called the digest. The receiving router performs a calculation using the correct authentication key and discard the packet if the digest does not match. In addition, a sequence number is maintained to prevent the replay of older packets. This method provides a much stronger assurance that routing data originated from a router with a valid authentication key.

Many protocols allow the specification of two authentication keys per interface. Packets are always sent using the primary keys, but received packets are checked with both the primary and secondary keys before being discarded.

Authentication Keys and Key Management

An authentication key permits the generation and verification of the authentication field in protocol packets. In many situations, the same primary and secondary keys are used on several interfaces of a router. To make key management easier, the concept of a *key-chain* was introduced. Each key-chain has an identifier and can contain up to two keys. One key is the primary key and other is the secondary key. Outgoing packets use the primary authentication key, but incoming packets may match either the primary or secondary authentication key. In Configure mode, instead of specifying the key for each interface (which can be up to 16 characters long), you can specify a key-chain identifier.

The XP supports MD5 specification of OSPF RFC 2178 which uses the MD5 algorithm and an authentication key of up to 16 characters. Thus there are now three authentication schemes available per interface: none, simple and RFC 2178 OSPF MD5 authentication. It is possible to configure different authentication schemes on different interfaces.

RFC 2178 allows multiple MD5 keys per interface. Each key has two times associated with the key:

- A time period that the key will be generated
- A time period that the key will be accepted

The XP only allows one MD5 key per interface. Also, there are no options provided to specify the time period during which the key would be generated and accepted; the specified MD5 key is always generated and accepted. Both these limitations would be removed in a future release.

Configuring Simple Routing Policies

Simple routing policies provide an efficient way for routing information to be exchanged between routing protocols. The **redistribute** command can be used to redistribute routes from one routing domain into another routing domain. Redistribution of routes between routing domains is based on route policies. A route policy is a set of conditions based on which routes are redistributed. While the **redistribute** command may fulfill the export policy requirement for most users, complex export policies may require the use of the commands listed under Export Policies.

The general syntax of the redistribute command is as follows:

```
ip-router policy redistribute from-proto <protocol> to-proto <protocol> [network <ipAddr-mask> [exact|refines|between <low-high>]] [metric <number>|restrict] [source-as <number>] [target-as <number>]
```

The **from-proto** parameter specifies the protocol of the source routes. The values for the from-proto parameter can be **rip**, **ospf**, **bgp**, **direct**, **static**, **aggregate** and **ospf-ase**. The **to-proto** parameter specifies the destination protocol where the routes are to be exported. The values for the **to-proto** parameter can be **rip**, **ospf** and **bgp**. The network parameter provides a means to define a filter for the routes to be distributed. The network parameter defines a filter that is made up of an IP address and a mask. Routes that match the filter are considered as eligible for redistribution.

Every protocol (RIP, OSPF, and BGP) has a configurable parameter that specifies the default-metric associated with routes exported to that protocol. If a metric is not explicitly specified with the redistribute command, then it is inherited from the default-metric associated with the protocol to which the routes are being exported.

Redistributing Static Routes

Static routes may be redistributed to another routing protocol such as RIP or OSPF by the following command. The **network** parameter specifies the set of static routes that will be redistributed by this command. If all static routes are to be redistributed set the **network** parameter to **all**. Note that the **network** parameter is a filter that is used to specify routes that are to be redistributed.

To redistribute static routes, enter one of the following commands in Configure mode:

To redistribute static routes into RIP.	ip-router policy redistribute from-proto static to-proto rip network all
To redistribute static routes into OSPF.	ip-router policy redistribute from-proto static to-proto ospf network all

Redistributing Directly Attached Networks

Routes to directly attached networks are redistributed to another routing protocol such as RIP or OSPF by the following command. The **network** parameter specifies a set of routes that will be

redistributed by this command. If all direct routes are to be redistributed set the **network** parameter to **all**. Note that the **network** parameter is a filter that is used to specify routes that are to be redistributed.

To redistribute direct routes, enter one of the following commands in Configure mode:

To redistribute direct routes into RIP.	ip-router policy redistribute from-proto direct to-proto rip network all
To redistribute direct routes into OSPF.	ip-router policy redistribute from-proto direct to-proto ospf network all

Redistributing RIP into RIP

The XP routing process requires RIP redistribution into RIP if a protocol is redistributed into RIP.

To redistribute RIP into RIP, enter the following command in Configure mode:

To redistribute RIP into RIP.	ip-router policy redistribute from-proto rip to-proto rip
-------------------------------	--

Redistributing RIP into OSPF

RIP routes may be redistributed to OSPF.

To redistribute RIP into OSPF, enter the following command in Configure mode:

To redistribute RIP into OSPF.	ip-router policy redistribute from-proto rip to-proto ospf
--------------------------------	---

Redistributing OSPF to RIP

For the purposes of route redistribution and import-export policies, OSPF intra- and inter-area routes are referred to as **ospf** routes, and external routes redistributed into OSPF are referred to as **ospf-ase** routes. Examples of **ospf-ase** routes include **static** routes, **rip** routes, **direct** routes, **bgp** routes, or **aggregate** routes, which are redistributed into an OSPF domain.

OSPF routes may be redistributed into RIP. To redistribute OSPF into RIP, enter the following command in Configure mode:

To redistribute ospf-ase routes into rip.	ip-router policy redistribute from-proto ospf-ase to-proto rip
To redistribute ospf routes into rip.	ip-router policy redistribute from-proto ospf to-proto rip

Redistributing Aggregate Routes

The **aggregate** parameter causes an aggregate route with the specified IP address and subnet mask to be redistributed.

Note: The aggregate route must first be created using the **aggr-gen** command. This command creates a specified aggregate route for routes that match the aggregate.

To redistribute aggregate routes, enter one of the following commands in Configure mode:

To redistribute aggregate routes into RIP.	ip-router policy redistribute from-proto aggregate to-proto rip
To redistribute aggregate routes into OSPF.	ip-router policy redistribute from-proto aggregate to-proto OSPF

Simple Route Redistribution Examples

Example 1: Redistribution into RIP

For all examples given in this section, refer to the configurations shown in [Figure 20 on page 208](#).

The following configuration commands for router R1:

- Determine the IP address for each interface
- Specify the static routes configured on the router
- Determine its RIP configuration

```

!+++++
! Create the various IP interfaces.
!+++++
interface create ip to-r2 address-netmask 120.190.1.1/16 port et.1.2
interface create ip to-r3 address-netmask 130.1.1.1/16 port et.1.3
interface create ip to-r41 address-netmask 140.1.1.1/24 port et.1.4
interface create ip to-r42 address-netmask 140.1.2.1/24 port et.1.5
interface create ip to-r6 address-netmask 160.1.1.1/16 port et.1.6
interface create ip to-r7 address-netmask 170.1.1.1/16 port et.1.7
!+++++
! Configure a default route through 170.1.1.7
!+++++
ip add route default gateway 170.1.1.7
!+++++
! Configure static routes to the 135.3.0.0 subnets reachable through
! R3.
!+++++
ip add route 135.3.1.0/24 gateway 130.1.1.3
ip add route 135.3.2.0/24 gateway 130.1.1.3

```

```

ip add route 135.3.3.0/24 gateway 130.1.1.3
!+++++
! Configure default routes to the other subnets reachable through R2.
!+++++
ip add route 202.1.0.0/16 gateway 120.190.1.2
ip add route 160.1.5.0/24 gateway 120.190.1.2
!+++++
! RIP Box Level Configuration
!+++++
rip start
rip set default-metric 2
!+++++
! RIP Interface Configuration. Create a RIP interfaces, and set
! their type to (version II, multicast).
!+++++
rip add interface to-r41
rip add interface to-r42
rip add interface to-r6
rip set interface to-r41 version 2 type multicast
rip set interface to-r42 version 2 type multicast
rip set interface to-r6 version 2 type multicast
    
```

Exporting a Given Static Route to All RIP Interfaces

Router R1 has several static routes of which one is the default route. We would export this default route over all RIP interfaces.

```
ip-router policy redistribute from-proto static to-proto rip network default
```

Exporting All Static Routes to All RIP Interfaces

Router R1 has several static routes. We would export these routes over all RIP interfaces.

```
ip-router policy redistribute from-proto static to-proto rip network all
```

Exporting All Static Routes Except the Default Route to All RIP Interfaces

Router R1 has several static routes. We would export all these routes except the default route to all RIP interfaces.

```
ip-router policy redistribute from-proto static to-proto rip network all
ip-router policy redistribute from-proto static to-proto rip network default restrict
```

Example 2: Redistribution into OSPF

For all examples given in this section, refer to the configurations shown in [Figure 21 on page 212](#).

The following configuration commands for router R1:

- Determine the IP address for each interface
- Specify the static routes configured on the router
- Determine its OSPF configuration

```

!+++++
! Create the various IP interfaces.
!+++++
interface create ip to-r2 address-netmask 120.190.1.1/16 port et.1.2
interface create ip to-r3 address-netmask 130.1.1.1/16 port et.1.3
interface create ip to-r41 address-netmask 140.1.1.1/24 port et.1.4
interface create ip to-r42 address-netmask 140.1.2.1/24 port et.1.5
interface create ip to-r6 address-netmask 140.1.3.1/24 port et.1.6
!+++++
! Configure default routes to the other subnets reachable through R2.
!+++++
ip add route 202.1.0.0/16 gateway 120.1.1.2
ip add route 160.1.5.0/24 gateway 120.1.1.2
!+++++
! OSPF Box Level Configuration
!+++++
ospf start
ospf create area 140.1.0.0
ospf create area backbone
ospf set ase-defaults cost 4
!+++++
! OSPF Interface Configuration
!+++++
ospf add interface 140.1.1.1 to-area 140.1.0.0
ospf add interface 140.1.2.1 to-area 140.1.0.0
ospf add interface 140.1.3.1 to-area 140.1.0.0
ospf add interface 130.1.1.1 to-area backbone

```

Exporting All Interface & Static Routes to OSPF

Router R1 has several static routes. We would like to export all these static routes and direct-routes (routes to connected networks) into OSPF.

```

ip-router policy redistribute from-proto static to-proto ospf
ip-router policy redistribute from-proto direct to-proto ospf

```

Note: The network parameter specifying the network-filter is optional. The default value for this parameter is **all**, indicating all networks. Since in the above example, we would like to export all static and direct routes into OSPF, we have not specified this parameter.

Exporting All RIP, Interface & Static Routes to OSPF

Note: Also export interface, static, RIP, OSPF, and OSPF-ASE routes into RIP.

In the configuration shown in [Figure 21 on page 212](#), suppose we decide to run RIP Version 2 on network 120.190.0.0/16, connecting routers R1 and R2.

Router R1 would like to export all RIP, interface, and static routes to OSPF.

```
ip-router policy redistribute from-proto rip to-proto ospf
ip-router policy redistribute from-proto direct to-proto ospf
ip-router policy redistribute from-proto static to-proto ospf
```

Router R1 would also like to export interface, static, RIP, OSPF, and OSPF-ASE routes into RIP.

```
ip-router policy redistribute from-proto direct to-proto rip
ip-router policy redistribute from-proto static to-proto rip
ip-router policy redistribute from-proto rip to-proto rip
ip-router policy redistribute from-proto ospf to-proto rip
ip-router policy redistribute from-proto ospf-ase to-proto rip
```

Configuring Advanced Routing Policies

Advanced Routing Policies are used for creating complex import/export policies that cannot be done using the redistribute command. Advanced export policies provide granular control over the targets where the routes are exported, the source of the exported routes, and the individual routes which are exported. It provides the capability to send different routes to the various route-peers. They can be used to provide the same route with different attributes to the various route-peers.

Import policies control the importation of routes from routing protocols and their installation in the routing database (Routing Information Base and Forwarding Information Base). Import policies determine which routes received from other systems are used by the XP routing process. Using import policies, it is possible to ignore route updates from an unreliable peer and give better preference to routes learned from a trusted peer.

Export Policies

Advanced export policies can be constructed from one or more of the following building blocks:

- **Export Destinations** - This component specifies the destination where the routes are to be exported. It also specifies the attributes associated with the exported routes. The interface, gateway or the autonomous system to which the routes are to be redistributed are a few examples of export-destinations. The metric, type, tag, and AS-Path are a few examples of attributes associated with the exported routes.

- Export Sources - This component specifies the source of the exported routes. It can also specify the metric to be associated with the routes exported from this source. The routes to be exported can be identified by their associated attributes, such as protocol type, interface or the gateway from which the route was received, and so on.
- Route Filter - This component provides the means to define a filter for the routes to be distributed. Routes that match a filter are considered as eligible for redistribution. This can be done using one of two methods:
 - Creating a route-filter and associating an identifier with it. A route-filter has several network specifications associated with it. Every route is checked against the set of network specifications associated with all route-filters to determine its eligibility for redistribution. The identifier associated with a route-filter is used in the *ip-router policy export* command.
 - Specifying the networks as needed in the **ip-router policy export** command.

If you want to create a complex route-filter, and you intend to use that route-filter in several export policies, then the first method is recommended. If you do not have complex filter requirements, then use the second method.

After you create one or more building blocks, they are tied together by the **iprouter policy export** command.

To create route export policies, enter the following command in Configure mode:

Create an export policy.	ip-router policy export destination <i><exp-dest-id></i> [source <i><exp-src-id></i> [filter <i><filter-id></i>][network <i><ipAddr-mask></i> [exact refines between <i><low-high></i>] [metric <i><number></i> restrict]]]]
--------------------------	---

The *<exp-dest-id>* is the identifier of the export-destination which determines where the routes are to be exported. If no routes to a particular destination are to be exported, then no additional parameters are required.

The *<exp-src-id>*, if specified, is the identifier of the export-source which determines the source of the exported routes. If a export-policy for a given export-destination has more than one export-source, then the *ip-router policy export destination <exp-dest-id>* command should be repeated for each *<exp-src-id>*.

The *<filter-id>*, if specified, is the identifier of the route-filter associated with this export-policy. If there is more than one route-filter for any export-destination and export-source combination, then the *ip-router policy export destination <exp-dest-id> source <exp-src-id>* command should be repeated for each *<filter-id>*.

Creating an Export Destination

To create an export destination, enter one of the following commands in Configure mode:

Create a RIP export destination.	ip-router policy create rip-export-destination <name>
Create an OSPF export destination.	ip-router policy create ospf-export-destination <name>

Creating an Export Source

To create an export source, enter one of the following commands in Configure mode:

Create a RIP export source.	ip-router policy create rip-export-source <name>
Create an OSPF export source.	ip-router policy create ospf-export-source <name>

Import Policies

Import policies can be constructed from one or more of the following building blocks:

- **Import-source** - This component specifies the source of the imported routes. It can also specify the preference to be associated with the routes imported from this source. The routes to be imported can be identified by their associated attributes, including source protocol, source interface, or gateway from which the route was received, and so on.
- **Route Filter** - This component provides the means to define a filter for the routes to be imported. Routes that match a filter are considered as eligible for importation. This can be done using one of two methods:
 - Creating a route-filter and associating an identifier with it. A route-filter has several network specifications associated with it. Every route is checked against the set of network specifications associated with all route-filters to determine its eligibility for importation. The identifier associated with a route-filter is used in the **ip-router policy import** command.
 - Specifying the networks as needed in the **ip-router policy import** command.

If you want to create a complex route-filter, and you intend to use that route-filter in several import policies, then the first method is recommended. If you do not have complex filter requirements, then use the second method.

After you create one or more building blocks, they are tied together by the **ip-router policy import** command.

To create route import policies, enter the following command in Configure mode:

Create an import policy.	ip-router policy import source <i><imp-src-id></i> [filter <i><filter-id></i>][network <i><ipAddr-mask></i>] [exact refines between <i><low-high></i>] [preference <i><number></i>][restrict]]]
--------------------------	--

The *<imp-src-id>* is the identifier of the import-source that determines the source of the imported routes. If no routes from a particular source are to be imported, then no additional parameters are required.

The *<filter-id>*, if specified, is the identifier of the route-filter associated with this import-policy. If there is more than one route-filter for any import-source, then the **ip-router policy import source** *<imp-src-id>* command should be repeated for each *<filter-id>*.

Creating an Import Source

Import sources specify the routing protocol from which the routes are imported. The source may be RIP or OSPF.

To create an import source, enter one of the following commands in Configure mode:

Create a RIP import destination.	ip-router policy create rip-import-source <i><name></i>
Create an OSPF import destination.	ip-router policy create ospf-import-source <i><name></i>

Creating a Route Filter

Route policies are defined by specifying a set of filters that will match a certain route by destination or by destination and mask.

To create route filters, enter the following command in Configure mode:

Create a route filter.	ip-router policy create filter <i><name-id></i> network <i><IP-address/mask></i>
------------------------	--

Creating an Aggregate Route

Route aggregation is a method of generating a more general route, given the presence of a specific route. The routing process does not perform any aggregation unless explicitly requested.

Aggregate-routes can be constructed from one or more of the following building blocks:

- **Aggregate-Destination** - This component specifies the aggregate/summarized route. It also specifies the attributes associated with the aggregate route. The preference to be associated with an aggregate route can be specified using this component.
- **Aggregate-Source** - This component specifies the source of the routes contributing to an aggregate/summarized route. It can also specify the preference to be associated with the contributing routes from this source. The routes contributing to an aggregate can be identified by their associated attributes, including protocol type, tag associated with a route, and so on.
- **Route Filter** - This component provides the means to define a filter for the routes to be aggregated or summarized. Routes that match a filter are considered as eligible for aggregation. This can be done using one of two methods:
 - Creating a route-filter and associating an identifier with it. A route-filter has several network specifications associated with it. Every route is checked against the set of network specifications associated with all route-filters to determine its eligibility for aggregation. The identifier associated with a route-filter is used in the **ip-router policy aggr-gen** command.
 - Specifying the networks as needed in the **ip-router policy aggr-gen** command.
- If you want to create a complex route-filter, and you intend to use that route-filter in several aggregates, then the first method is recommended. If you do not have complex filter requirements, then use the second method.

After you create one or more building blocks, they are tied together by the **ip-router policy aggr-gen** command.

To create aggregates, enter the following command in Configure mode:

Create an aggregate route.	ip-router policy aggr-gen destination <aggr-dest-id> [source <aggr-src-id> [filter <filter-id> [network <ipAddr-mask> [exact refines between <low-high>] [preference <number> restrict]]]]
----------------------------	---

The <aggr-dest-id> is the identifier of the aggregate-destination that specifies the aggregate/summarized route.

The <aggr-src-id> is the identifier of the aggregate-source that contributes to an aggregate route. If an aggregate has more than one aggregate-source, then the **ip-router policy aggr-gen destination** <aggr-dest-id> command should be repeated for each <aggr-src-id>.

The <filter-id> is the identifier of the route-filter associated with this aggregate. If there is more than one route-filter for any aggregate-destination and aggregate-source combination, then the **ip-**

router policy aggr-gen destination *<aggr-dest-id>* **source** *<aggr-src-id>* command should be repeated for each *<filter-id>*.

Creating an Aggregate Destination

To create an aggregate destination, enter the following command in Configure mode:

Create an aggregate destination.	ip-router policy create aggr-gen-dest <i><name></i> network <i><ipAddr-mask></i>
----------------------------------	--

Creating an Aggregate Source

To create an aggregate source, enter the following command in Configure mode:

Create an aggregate source.	ip-router policy create aggr-gen-source <i><name></i> protocol <i><protocol-name></i>
-----------------------------	---

Examples of Import Policies

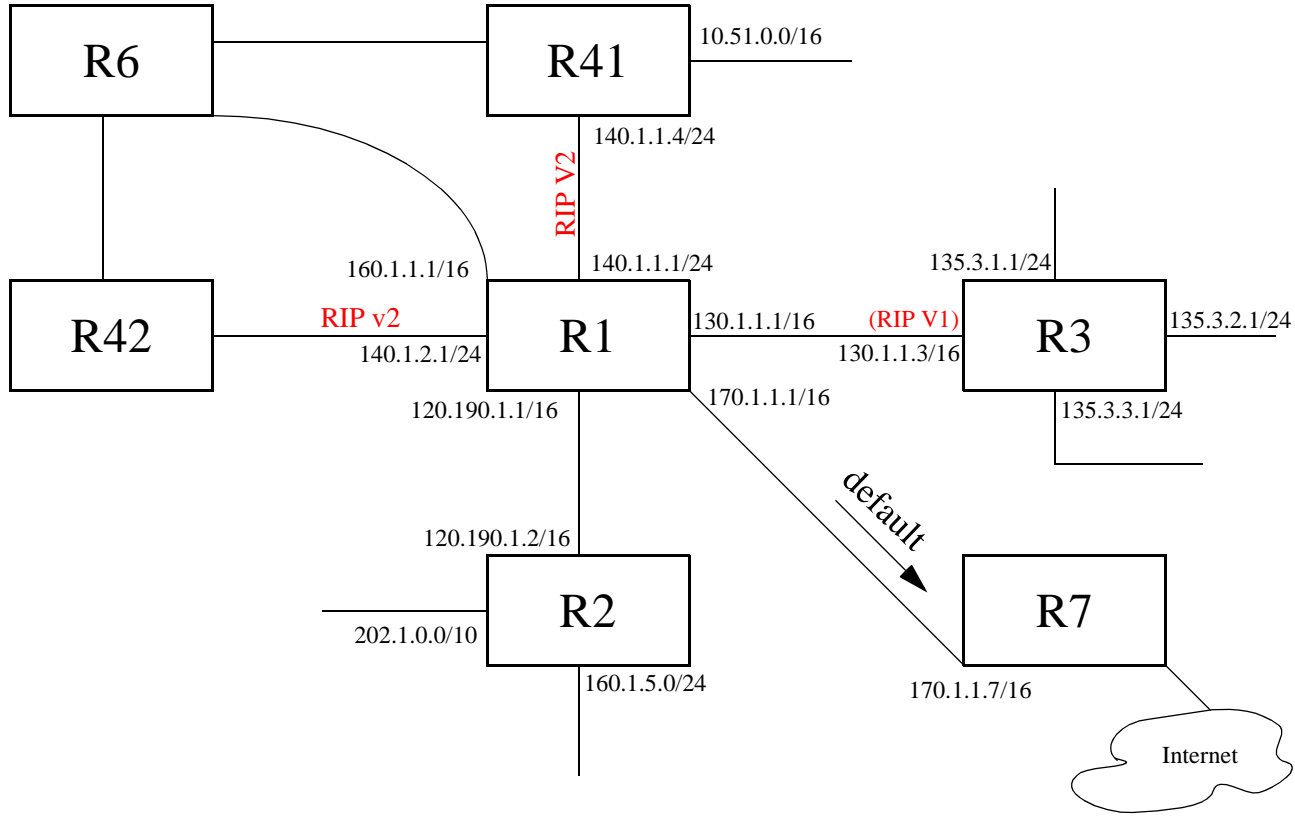
Example 1: Importing from RIP

The importation of RIP routes may be controlled by any of protocol, source interface, or source gateway. If more than one is specified, they are processed from most general (protocol) to most specific (gateway).

RIP does not support the use of preference to choose between routes of the same protocol. That is left to the protocol metrics.

For all examples in this section, refer to the configuration shown in [Figure 20 on page 208](#).

Figure 20. Exporting to RIP



The following configuration commands for router R1:

- Determine the IP address for each interface.
- Specify the static routes configured on the router.
- Determine its RIP configuration.

```

!+++++
! Create the various IP interfaces.
!+++++
interface create ip to-r2 address-netmask 120.190.1.1/16 port et.1.2
interface create ip to-r3 address-netmask 130.1.1.1/16 port et.1.3
interface create ip to-r41 address-netmask 140.1.1.1/24 port et.1.4
interface create ip to-r42 address-netmask 140.1.2.1/24 port et.1.5
interface create ip to-r6 address-netmask 160.1.1.1/16 port et.1.6
interface create ip to-r7 address-netmask 170.1.1.1/16 port et.1.7
!+++++
! Configure a default route through 170.1.1.7
!+++++
ip add route default gateway 170.1.1.7
!+++++
! Configure default routes to the 135.3.0.0 subnets reachable through
! R3.
!+++++ ip add
route 135.3.1.0/24 gateway 130.1.1.3
ip add route 135.3.2.0/24 gateway 130.1.1.3
ip add route 135.3.3.0/24 gateway 130.1.1.3
!+++++
! Configure default routes to the other subnets reachable through R2.
!+++++
ip add route 202.1.0.0/16 gateway 120.190.1.2
ip add route 160.1.5.0/24 gateway 120.190.1.2
!+++++
! RIP Box Level Configuration
!+++++
rip start
rip set default-metric 2
!+++++
! RIP Interface Configuration. Create a RIP interfaces, and set
! their type to (version II, multicast).
!+++++
rip add interface to-r41
rip add interface to-r42
rip add interface to-r6
rip set interface to-r41 version 2 type multicast
rip set interface to-r42 version 2 type multicast
rip set interface to-r6 version 2 type multicast

```

Importing a Selected Subset of Routes from One RIP Trusted Gateway

Router R1 has several RIP peers. Router R41 has an interface on the network 10.51.0.0. By default, router R41 advertises network 10.51.0.0/16 in its RIP updates. Router R1 would like to import all routes except the 10.51.0.0/16 route from its peer R41.

1. Add the peer 140.1.1.41 to the list of trusted and source gateways.

```
rip add source-gateways 140.1.1.41
rip add trusted-gateways 140.1.1.41
```

2. Create a RIP import source with the gateway as 140.1.1.41 since we would like to import all routes except the 10.51.0.0/16 route from this gateway.

```
ip-router policy create rip-import-source ripImpSrc144 gateway 140.1.1.41
```

3. Create the Import-Policy, importing all routes except the 10.51.0.0/16 route from gateway 140.1.1.41.

```
ip-router policy import source ripImpSrc144 network all
ip-router policy import source ripImpSrc144 network 10.51.0.0/16 restrict
```

Importing a Selected Subset of Routes from All RIP Peers Accessible Over a Certain Interface

Router R1 has several RIP peers. Router R41 has an interface on the network 10.51.0.0. By default, router R41 advertises network 10.51.0.0/16 in its RIP updates. Router R1 would like to import all routes except the 10.51.0.0/16 route from all its peer which are accessible over interface 140.1.1.1.

1. Create a RIP import source with the interface as 140.1.1.1, since we would like to import all routes except the 10.51.0.0/16 route from this interface.

```
ip-router policy create rip-import-source ripImpSrc140 interface 140.1.1.1
```

2. Create the Import-Policy importing all routes except the 10.51.0.0/16 route from interface 140.1.1.1

```
ip-router policy import source ripImpSrc140 network all
ip-router policy import source ripImpSrc140 network 10.51.0.0/16 restrict
```

Example 2: Importing from OSPF

Due to the nature of OSPF, only the importation of ASE routes may be controlled. OSPF intra-and inter-area routes are always imported into the XP routing table with a preference of 10. If a tag is specified, the import clause will only apply to routes with the specified tag.

It is only possible to restrict the importation of OSPF ASE routes when functioning as an AS border router.

Like the other interior protocols, preference cannot be used to choose between OSPF ASE routes. That is done by the OSPF costs. Routes that are rejected by policy are stored in the table with a negative preference.

For all examples in this section, refer to the configuration shown in [Figure 21 on page 212](#).

The following configuration commands for router R1:

- Determine the IP address for each interface
- Specify the static routes configured on the router
- Determine its OSPF configuration

```

!+++++
! Create the various IP interfaces.
!+++++
interface create ip to-r2 address-netmask 120.190.1.1/16 port et.1.2
interface create ip to-r3 address-netmask 130.1.1.1/16 port et.1.3
interface create ip to-r41 address-netmask 140.1.1.1/24 port et.1.4
interface create ip to-r42 address-netmask 140.1.2.1/24 port et.1.5
interface create ip to-r6 address-netmask 140.1.3.1/24 port et.1.6
!+++++
! Configure default routes to the other subnets reachable through R2.
!+++++
ip add route 202.1.0.0/16 gateway 120.1.1.2
ip add route 160.1.5.0/24 gateway 120.1.1.2
!+++++
! OSPF Box Level Configuration
!+++++
ospf start
ospf create area 140.1.0.0
ospf create area backbone
ospf set ase-defaults cost 4
!+++++
! OSPF Interface Configuration
!+++++
ospf add interface 140.1.1.1 to-area 140.1.0.0
ospf add interface 140.1.2.1 to-area 140.1.0.0
ospf add interface 140.1.3.1 to-area 140.1.0.0
ospf add interface 130.1.1.1 to-area backbone

```

Importing a Selected Subset of OSPF-ASE Routes

1. Create a OSPF import source so that only routes that have a tag of 100 are considered for importation.

```

ip-router policy create ospf-import-source ospfImpSrct100 tag 100

```

2. Create the Import-Policy importing all OSPF ASE routes with a tag of 100 except the default ASE route.

```

ip-router policy import source ospfImpSrct100 network all
ip-router policy import source ospfImpSrct100 network default restrict

```

Examples of Export Policies

Example 1: Exporting to RIP

Exporting to RIP is controlled by any of protocol, interface or gateway. If more than one is specified, they are processed from most general (protocol) to most specific (gateway).

It is not possible to set metrics for exporting RIP routes into RIP. Attempts to do this are silently ignored.

If no export policy is specified, RIP and interface routes are exported into RIP. If any policy is specified, the defaults are overridden; it is necessary to explicitly specify everything that should be exported.

RIP version 1 assumes that all subnets of the shared network have the same subnet mask so it is only able to propagate subnets of that network. RIP version 2 removes that restriction and is capable of propagating all routes when not sending version 1 compatible updates.

To announce routes which specify a next hop of the loopback interface (i.e. static and internally generated default routes) via RIP, it is necessary to specify the metric at some level in the export policy. Just setting a default metric for RIP is not sufficient. This is a safeguard to verify that the announcement is intended.

For all examples in this section, refer to the configuration shown in [Figure 20 on page 208](#).

The following configuration commands for router R1:

- Determine the IP address for each interface
- Specify the static routes configured on the router
- Determine its RIP configuration

```

!+++++
! Create the various IP interfaces.
!+++++
interface create ip to-r2 address-netmask 120.190.1.1/16 port et.1.2
interface create ip to-r3 address-netmask 130.1.1.1/16 port et.1.3
interface create ip to-r41 address-netmask 140.1.1.1/24 port et.1.4
interface create ip to-r42 address-netmask 140.1.2.1/24 port et.1.5
interface create ip to-r6 address-netmask 160.1.1.1/16 port et.1.6
interface create ip to-r7 address-netmask 170.1.1.1/16 port et.1.7
!+++++
! Configure a default route through 170.1.1.7
!+++++
ip add route default gateway 170.1.1.7
!+++++
! Configure default routes to the 135.3.0.0 subnets reachable through
! R3.
!+++++

```

```

ip add route 135.3.1.0/24 gateway 130.1.1.3
ip add route 135.3.2.0/24 gateway 130.1.1.3
ip add route 135.3.3.0/24 gateway 130.1.1.3
!+++++!
Configure default routes to the other subnets reachable through R2.
!+++++!
ip add route 202.1.0.0/16 gateway 120.190.1.2
ip add route 160.1.5.0/24 gateway 120.190.1.2
!+++++!
! RIP Box Level Configuration
!+++++!
rip start
rip set default-metric 2
!+++++!
! RIP Interface Configuration. Create a RIP interfaces, and set
! their type to (version II, multicast).
!+++++!
rip add interface to-r41
rip add interface to-r42
rip add interface to-r6
rip set interface to-r41 version 2 type multicast
rip set interface to-r42 version 2 type multicast
rip set interface to-r6 version 2 type multicast

```

Exporting a Given Static Route to All RIP Interfaces

Router R1 has several static routes, of which one is the default route. We would export this default route over all RIP interfaces.

1. Create a RIP export destination since we would like to export routes into RIP.

```
ip-router policy create rip-export-destination ripExpDst
```

2. Create a Static export source since we would like to export static routes.

```
ip-router policy create static-export-source statExpSrc
```

As mentioned above, if no export policy is specified, RIP and interface routes are exported into RIP. If any policy is specified, the defaults are overridden; it is necessary to explicitly specify everything that should be exported.

Since we would also like to export/redistribute RIP and direct routes into RIP, we would also create export-sources for those protocols.

3. Create a RIP export source since we would like to export RIP routes.

```
ip-router policy create rip-export-source ripExpSrc
```

4. Create a Direct export source since we would like to export direct/interface routes.

```
ip-router policy create direct-export-source directExpSrc
```

5. Create the export-policy redistributing the statically created default route, and all (RIP, Direct) routes into RIP.

```
ip-router policy export destination ripExpDst source statExpSrc network default
ip-router policy export destination ripExpDst source ripExpSrc network all
ip-router policy export destination ripExpDst source directExpSrc network all
```

Exporting a Given Static Route to a Specific RIP Interface

In this case, router R1 would export/redistribute the default route over its interface 140.1.1.1 only.

1. Create a RIP export destination for interface with address 140.1.1.1, since we intend to change the rip export policy only for interface 140.1.1.1.

```
ip-router policy create rip-export-destination ripExpDst141 interface 140.1.1.1
```

2. Create a static export source since we would like to export static routes.

```
ip-router policy create static-export-source statExpSrc
```

3. Create a RIP export source since we would like to export RIP routes.

```
ip-router policy create rip-export-source ripExpSrc
```

4. Create a Direct export source since we would like to export direct/interface routes.

```
ip-router policy create direct-export-source directExpSrc
```

5. Create the Export-Policy redistributing the statically created default route, and all (RIP, Direct) routes into RIP.

```
ip-router policy export destination ripExpDst141 source statExpSrc network default
ip-router policy export destination ripExpDst141 source ripExpSrc network all
ip-router policy export destination ripExpDst141 source directExpSrc network all
```

Exporting All Static Routes Reachable Over a Given Interface to a Specific RIP-Interface

In this case, router R1 would export/redistribute all static routes accessible through its interface 130.1.1.1 to its RIP-interface 140.1.1.1 only.

1. Create a RIP export destination for interface with address 140.1.1.1, since we intend to change the rip export policy for interface 140.1.1.1

```
ip-router policy create rip-export-destination ripExpDst141 interface 140.1.1.1
```

2. Create a Static export source since we would like to export static routes.

```
ip-router policy create static-export-source statExpSrc130 interface 130.1.1.1
```

3. Create a RIP export source since we would like to export RIP routes.

```
ip-router policy create rip-export-source ripExpSrc
```

4. Create a Direct export source.

```
ip-router policy create direct-export-source directExpSrc
```

5. Create the Export-Policy, redistributing all static routes reachable over interface 130.1.1.1 and all (RIP, Direct) routes into RIP.

```
ip-router policy export destination ripExpDst141 source statExpSrc130 network all  
ip-router policy export destination ripExpDst141 source ripExpSrc network all  
ip-router policy export destination ripExpDst141 source directExpSrc network all
```

Exporting Aggregate-Routes into RIP

In the configuration shown in [Figure 20 on page 208](#), suppose you decide to run RIP Version 1 on network 130.1.0.0/16, connecting routers R1 and R3. Router R1 desires to announce the 140.1.1.0/24 and 140.1.2.0/24 networks to router R3. RIP Version 1 does not carry any information about subnet masks in its packets. Thus it would not be possible to announce the subnets (140.1.1.0/24 and 140.1.2.0/24) into RIP Version 1 without aggregating them.

1. Create an Aggregate-Destination which represents the aggregate/summarized route.

```
ip-router policy create aggr-gen-dest aggrDst140 network 140.1.0.0/16
```

2. Create an Aggregate-Source which qualifies the source of the routes contributing to the aggregate. Since in this case, we do not care about the source of the contributing routes, we would specify the protocol as all.

```
ip-router policy create aggr-gen-source allAggrSrc protocol all
```

3. Create the aggregate/summarized route. This command binds the aggregated route with the contributing routes.

```
ip-router aggr-gen destination aggrDst140 source allAggrSrc network 140.1.1.0/24
ip-router aggr-gen destination aggrDst140 source allAggrSrc network 140.1.2.0/24
```

4. Create a RIP export destination for interface with address 130.1.1.1, since we intend to change the rip export policy only for interface 130.1.1.1.

```
ip-router policy create rip-export-destination ripExpDst130 interface 130.1.1.1
```

5. Create a Aggregate export source since we would to export/redistribute an aggregate/summarized route.

```
ip-router policy create aggr-export-source aggrExpSrc
```

6. Create a RIP export source since we would like to export RIP routes.

```
ip-router policy create rip-export-source ripExpSrc
```

7. Create a Direct export source since we would like to export Direct routes.

```
ip-router policy create direct-export-source directExpSrc
```


8. Create the Export-Policy redistributing all (RIP, Direct) routes and the aggregate route 140.1.0.0/16 into RIP.

```
ip-router policy export destination ripExpDst130 source aggrExpSrc network 140.1.0.0/16
ip-router policy export destination ripExpDst130 source ripExpSrc network all
ip-router policy export destination ripExpDst130 source directExpSrc network all
```

Example 2: Exporting to OSPF

It is not possible to create OSPF intra- or inter-area routes by exporting routes from the XP routing table into OSPF. It is only possible to export from the XP routing table into OSPF ASE routes. It is also not possible to control the propagation of OSPF routes within the OSPF protocol.

There are two types of OSPF ASE routes: type 1 and type 2. The default type is specified by the **ospf set ase-defaults type 1/2** command. This may be overridden by a specification in the **ip-router policy create ospf-export-destination** command.

OSPF ASE routes also have the provision to carry a tag. This is an arbitrary 32-bit number that can be used on OSPF routers to filter routing information. The default tag is specified by the **ospf set ase-defaults tag** command. This may be overridden by a tag specified with the **ip-router policy create ospf-export-destination** command.

Interface routes are not automatically exported into OSPF. They have to be explicitly done.

For all examples in this section, refer to the configuration shown in [Figure 21 on page 212](#).

The following configuration commands for router R1:

- Determine the IP address for each interface
- Specify the static routes configured on the router
- Determine its OSPF configuration

```

!+++++
! Create the various IP interfaces.
!+++++
interface create ip to-r2 address-netmask 120.190.1.1/16 port et.1.2
interface create ip to-r3 address-netmask 130.1.1.1/16 port et.1.3
interface create ip to-r41 address-netmask 140.1.1.1/24 port et.1.4
interface create ip to-r42 address-netmask 140.1.2.1/24 port et.1.5
interface create ip to-r6 address-netmask 140.1.3.1/24 port et.1.6
!+++++
! Configure default routes to the other subnets reachable through R2.
!+++++
ip add route 202.1.0.0/16 gateway 120.1.1.2
ip add route 160.1.5.0/24 gateway 120.1.1.2
!+++++
! OSPF Box Level Configuration
!+++++
ospf start
ospf create area 140.1.0.0
ospf create area backbone
ospf set ase-defaults cost 4
!+++++
! OSPF Interface Configuration
!+++++
ospf add interface 140.1.1.1 to-area 140.1.0.0
ospf add interface 140.1.2.1 to-area 140.1.0.0
ospf add interface 140.1.3.1 to-area 140.1.0.0
ospf add interface 130.1.1.1 to-area backbone

```

Exporting All Interface & Static Routes to OSPF

Router R1 has several static routes. We would export these static routes as type-2 OSPF routes. The interface routes would be redistributed as type 1 OSPF routes.

1. Create a OSPF export destination for type-1 routes since we would like to redistribute certain routes into OSPF as type 1 OSPF-ASE routes.

```

ip-router policy create ospf-export-destination ospfExpDstType1
type 1 metric 1

```

2. Create a OSPF export destination for type-2 routes since we would like to redistribute certain routes into OSPF as type 2 OSPF-ASE routes.

```

ip-router policy create ospf-export-destination ospfExpDstType2
type 2 metric 4

```

3. Create a Static export source since we would like to export static routes.

```

ip-router policy create static-export-source statExpSrc

```

4. Create a Direct export source since we would like to export interface/direct routes.

```
ip-router policy create direct-export-source directExpSrc
```

5. Create the Export-Policy for redistributing all interface routes and static routes into OSPF.

```
ip-router policy export destination ospfExpDstType1 source directExpSrc network all
ip-router policy export destination ospfExpDstType2 source statExpSrc network all
```

Exporting All RIP, Interface & Static Routes to OSPF

Note: Also export interface, static, RIP, OSPF, and OSPF-ASE routes into RIP.

In the configuration shown in [Figure 21 on page 212](#), suppose we decide to run RIP Version 2 on network 120.190.0.0/16, connecting routers R1 and R2.

We would like to redistribute these RIP routes as OSPF type-2 routes, and associate the tag 100 with them. Router R1 would also like to redistribute its static routes as type 2 OSPF routes. The interface routes would be redistributed as type 1 OSPF routes.

Router R1 would like to redistribute its OSPF, OSPF-ASE, RIP, Static and Interface/Direct routes into RIP.

1. Enable RIP on interface 120.190.1.1/16.

```
rip add interface 120.190.1.1
rip set interface 120.190.1.1 version 2 type multicast
```

2. Create a OSPF export destination for type-1 routes.

```
ip-router policy create ospf-export-destination ospfExpDstType1
type 1 metric 1
```

3. Create a OSPF export destination for type-2 routes.

```
ip-router policy create ospf-export-destination ospfExpDstType2
type 2 metric 4
```

4. Create a OSPF export destination for type-2 routes with a tag of 100.

```
ip-router policy create ospf-export-destination ospfExpDstType2t100 type 2 tag 100 metric 4
```

5. Create a RIP export source.

```
ip-router policy export destination ripExpDst source ripExpSrc network all
```

6. Create a Static export source.

```
ip-router policy create static-export-source statExpSrc
```

7. Create a Direct export source.

```
ip-router policy create direct-export-source directExpSrc
```

8. Create the Export-Policy for redistributing all interface, RIP and static routes into OSPF.

```
ip-router policy export destination ospfExpDstType1 source directExpSrc network all
ip-router policy export destination ospfExpDstType2 source statExpSrc network all
ip-router policy export destination ospfExpDstType2t100 source ripExpSrc network all
```

9. Create a RIP export destination.

```
ip-router policy create rip-export-destination ripExpDst
```

10. Create OSPF export source.

```
ip-router policy create ospf-export-source ospfExpSrc type OSPF
```

11. Create OSPF-ASE export source.

```
ip-router policy create ospf-export-source ospfAseExpSrc
type OSPF-ASE
```

12. Create the Export-Policy for redistributing all interface, RIP, static, OSPF and OSPF-ASE routes into RIP.

```
ip-router policy export destination ripExpDst source statExpSrc network all
ip-router policy export destination ripExpDst source ripExpSrc network all
ip-router policy export destination ripExpDst source directExpSrc network all
ip-router policy export destination ripExpDst source ospfExpSrc network all
ip-router policy export destination ripExpDst source ospfAseExpSrc network all
```

Chapter 17

Multicast Routing Configuration Guide

IP Multicast Overview

Multicast routing on the XP is supported through DVMRP and IGMP. IGMP is used to determine host membership on directly attached subnets. DVMRP is used to determine forwarding of multicast traffic between XPs.

This chapter:

- Provides an overview of the XP's implementation of the Internet Group Management Protocol (IGMP)
- Provides an overview of the XP's implementation of the Distance Vector Multicast Routing Protocol (DVMRP)
- Discusses configuring DVMRP routing on the XP
- Discusses configuring IGMP on the XP

IGMP Overview

The XP supports IGMP Version 2.0 as defined in RFC 2236. IGMP runs on a per-IP interface basis and an interface can be configured to run just IGMP and not DVMRP. Since multiple physical ports (VLANs) can be configured with the same IP interface on the XP, IGMP keeps track of multicast host members on a per-port basis. Ports belonging to an IP VLAN without any IGMP membership will not be forwarded any multicast traffic.

The XP allows per-interface control of the host query interval and response time. Query interval defines the time between IGMP queries. Response time defines the time the XP will wait for host responses to IGMP queries. The XP can be configured to deny or accept group membership filters.

Configuring IGMP

To configure IGMP on the XP, perform the following configuration tasks:

- Creating IP interfaces
- Setting global parameters that will be used for all the interfaces on which DVMRP is enabled
- Configuring IGMP on individual interfaces. You do so by enabling and disabling IGMP on interfaces and then setting IGMP parameters on the interfaces on which IGMP is enabled
- Start the multicast routing protocol (i.e., DVMRP)

IGMP on an IP Interface

By default IGMP is disabled on the XP.

To enable IGMP on an interface, enter the following command in Configure mode:

Enable IGMP on an interface.	igmp enable interface <name/ipAddr>
------------------------------	--

IGMP Query Interval

You can configure the XP with a different IGMP Host Membership Query time interval. The interval you set applies to all ports on the XP. The default query time interval is 125 seconds.

To configure the IGMP host membership query time interval, enter the following command in Configure mode:

Configure the IGMP host membership query time interval.	igmp set queryinterval <num>
---	-------------------------------------

IGMP Response Wait Time

You can configure the XP with a wait time for IGMP Host Membership responses which is different from the default. The wait time you set then applies to all ports on the XP. The default response time is 10 seconds.

To configure the host response wait time, enter the following command in Configure mode:

Configure the IGMP host response wait time.	igmp set responsetime <num>
---	------------------------------------

Per-Interface Control of IGMP Membership

You can configure the XP to control IGMP membership on a per-interface basis. An interface can be configured to be allowed or not allowed membership to a particular group.

To configure the per-interface membership control, enter the following commands in Configure mode:

Allow a host group membership to a specific group.	igmp set interface <name/ip-addr> allowed-groups <ip-addr/subnet mask>
Disallow a host group membership to a specific group.	igmp set interface <name/ip-addr> not-allowed-groups <ip-addr/subnet mask>

Static IGMP Groups

If IGMP is enabled on an interface, at least one group member needs to be present on the interface for the XP to retain the group on its list of multicast group memberships for the interface. You can configure a static IGMP group for an interface; a static group can exist without any group members present on the interface.

To configure a static IGMP group on an interface, enter the following command in Configure mode:

Configure a static IGMP group on an interface.	igmp join group <ip-addr/subnet mask> interface <name/ip-addr>
--	--

L2 Snooping

IGMP L2 snooping allows an XP functioning strictly as a layer-2 switch for a specific VLAN to actively participate in IGMP traffic forwarding. To enable IGMP snooping on a vlan, use the following command:

igmp enable vlan VLAN_NAME

Note: The **igmp start-snooping** command must be present for the **igmp enable vlan** command to function properly.

IGMP L2 snooping depends on the presence of an upstream IGMP querier. Whenever it receives an IGMP query, the XP forwards the query out the appropriate VLAN ports. IGMP snooping allows per-port traffic patterns in VLANs with multiple ports.

Note: You may not use any L3 configuration on a VLAN that is snooping (e.g., no interfaces created).

DVMRP Overview

DVMRP is an IP multicast routing protocol. On the XP, DVMRP routing is implemented as specified in the **draft-ietf-idmr-dvmrp-v3-06.txt** file, which is an Internet Engineering Task Force (IETF) document. The XP's implementation of DVMRP supports the following:

- The mtrace utility, which racks the multicast path from a source to a receiver.
- Generation identifiers, which are assigned to DVMRP whenever that protocol is started on a router.
- Pruning, which is an operation DVMRP routers perform to exclude interfaces not in the shortest path tree.

DVMRP uses the Reverse Path Multicasting (RPM) algorithm to perform pruning. In RPM, a source network rather than a host is paired with a multicast group. This is known as an (S,G) pair. RPM permits the XP to maintain multiple (S,G) pairs.

On the XP, DVMRP can be configured on a per-interface basis. An interface does not have to run both DVMRP and IGMP. You can start and stop DVMRP independently from other multicast routing protocols. IGMP starts and stops automatically with DVMRP. The XP supports up to 64 multicast interfaces.

To support backward compatibility on DVMRP interfaces, you can configure the router expire time and prune time on each XP DVMRP interface. This lets it work with older versions of DVMRP.

You can use threshold values and scopes to control internetwork traffic on each DVMRP interface. Threshold values determine whether traffic is either restricted or not restricted to a subnet, site, or region. Scopes define a set of multicast addresses of devices to which the XP can send DVMRP data. Scopes can include only addresses of devices on a company's internal network and cannot include addresses that require the XP to send DVMRP data on the Internet. The XP also allows control of routing information exchange with peers through route filter rules.

You can also configure tunnels on XP DVMRP interfaces. A tunnel is used to send packets between routers separated by gateways that do not support multicast routing. A tunnel acts as a virtual network between two routers running DVMRP. A tunnel does not run IGMP. The XP supports a maximum of eight tunnels.

Note: Tunnel traffic is not optimized on a per-port basis, and it goes to all ports on an interface, even though IGMP keeps per-port membership information. This is done to minimize CPU overload for tunneled traffic.

Configuring DVMRP

You configure DVMRP routing on the XP by performing the following DVMRP-configuration tasks:

- Creating IP interfaces
- Setting global parameters that will be used for all the interfaces on which DVMRP is enabled

- Configuring DVMRP on individual interfaces. You do so by enabling and disabling DVMRP on interfaces and then setting DVMRP parameters on the interfaces on which DVMRP is disabled
- Defining DVMRP tunnels, which IP uses to send multicast traffic between two end points

Starting and Stopping DVMRP

DVMRP is disabled by default on the XP.

To start or stop DVMRP, enter one of the following commands in Configure mode:

Start DVMRP.	dvmrp start
Stop DVMRP.	no dvmrp start

DVMRP on Individual Interfaces

DVMRP can be controlled/configured on per-interface basis. An interface does not have to run both DVMRP and IGMP together. DVMRP can be started or stopped; IGMP starts and stops automatically with DVMRP.

To enable IGMP on an interface, enter the following command in the Configure mode:

Enable DVMRP on an interface.	dvmrp enable interface <i><ipAddr></i> <i><interface-name></i>
-------------------------------	---

DVMRP Parameters

In order to support backward compatibility, DVMRP neighbor timeout and prune time can be configured on a per-interface basis. The default neighbor timeout is 35 seconds. The default prune time is 7200 seconds (2 hours).

To configure neighbor timeout or prune time, enter one of the following commands in Configure mode:

Configure the DVMRP neighbor timeout.	dvmrp set interface <i><ip-addr></i> neighbor-timeout <i><number></i>
Configure the DVMRP prune time.	dvmrp set interface <i><ip-addr></i> prunetime <i><number></i>

DVMRP Routing Metric

You can configure the DVMRP routing metric associated with a set of destinations for DVMRP reports. The default metric is 1.

To configure the DVMRP routing metric, enter the following command in Configure mode:

Configure the DVMRP routing metric.	dvmrp set interface <i><ip-addr></i> metric <i><number></i>
-------------------------------------	---

DVMRP TTL & Scope

For control over internet traffic, per-interface control is allowed through Scopes and TTL thresholds.

The TTL value controls whether packets are forwarded from an interface. The following are conventional guidelines for assigning TTL values to a multicast application and their corresponding XP setting for DVMRP threshold:

TTL = 1	Threshold = 1	Application restricted to subnet
TTL < 16	Threshold = 16	Application restricted to a site
TTL < 64	Threshold = 64	Application restricted to a region
TTL < 128	Threshold = 128	Application restricted to a continent
TTL = 255		Application not restricted

To configure the TTL Threshold, enter the following command in Configure mode:

Configure the TTL Threshold.	dvmrp set interface <i><ip-addr></i> threshold <i><number></i>
------------------------------	--

TTL thresholding is not always considered useful. There is another approach of a range of multicast addresses for “administrative” scoping. In other words, such addresses would be usable within a certain administrative scope, a corporate network, for instance, but would not be forwarded across the internet. The range from 239.0.0.0 through 239.255.255.255 is being reserved for administratively scoped applications. Any organization can currently assign this range of addresses and the packets will not be sent out of the organization. In addition, multiple scopes can be defined on per-interface basis.

To prevent the XP from forwarding any data destined to a scoped group on an interface, enter the following command in the Configure mode:

Configure the DVMRP scope.	dvmrp set interface <i><ip-addr></i> scope <i><ip-addr/mask></i>
----------------------------	---

DVMRP Tunnels

The XP supports DVMRP tunnels to the MBONE (the multicast backbone of the Internet). You can configure a DVMRP tunnel on a router if the other end is running DVMRP. The XP then sends and receives multicast packets over the tunnel. Tunnels are CPU-intensive; they are not switched directly through the XP's multitasking ASICs.

DVMRP tunnels need to be created before being enabled. Tunnels are recognized by the tunnel name. Once a DVMRP tunnel is created, you can enable DVMRP on the interface. The XP supports a maximum of eight tunnels.

To configure a DVMRP tunnel, enter the following command in Configure mode:

Configure a DVMRP tunnel to MBONE.	dvmrp create tunnel <i><string></i> local <i><ip-addr></i> remote <i><ip-addr></i>
------------------------------------	--

You can also control the rate of DVMRP traffic in a DVMRP tunnel. The default rate is 500 Kbps.

To control the rate of DVMRP traffic, enter the following command in Configure mode:

Configure the rate in a DVMRP tunnel.	dvmrp set interface <i><ip-addr></i> rate <i><number></i>
---------------------------------------	---

Monitoring IGMP & DVMRP

You can monitor IGMP and DVMRP information on the XP.

To display IGMP and DVMRP information, enter the following commands in the Enable mode.

Show all interfaces running DVMRP. Also shows the neighbors on each interface.	dvmrp show interface
Display DVMRP routing table.	dvmrp show routes
Shows all the interfaces and membership details running IGMP.	igmp show interface
Shows all IGMP group memberships on a port basis.	igmp show memberships
Show all IGMP timers.	igmp show timers
Show information about multicasts registered by IGMP.	l2-tables show igmp-mcast-registration
Show IGMP status on a VLAN.	l2-tables show vlan-igmp-status

Show all multicast Source, Group entries.	multicast show cache
Show all interfaces running multicast protocols (IGMP, DVMRP).	multicast show interfaces
Show all multicast routes.	multicast show mroutes

Configuration Examples

The following is a sample XP configuration for DVMRP and IGMP. Seven subnets are created. IGMP is enabled on 4 IP interfaces. The IGMP query interval is set to 30 seconds. DVMRP is enabled on 5 IP interfaces. IGMP is not running on “downstream” interfaces.

```

! Create VLANS.
!
vlan create upstream ip
vlan add ports et.5.3,et.5.4 to upstream
!
! Create IP interfaces
!
interface create ip mls15 address-netmask 172.1.1.10/24 port et.5.8
interface create ip company address-netmask 207.135.89.64/25 port et.5.1
interface create ip test address-netmask 10.135.89.10/25 port et.1.8
interface create ip rip address-netmask 190.1.0.1 port et.1.4
interface create ip mbone address-netmask 207.135.122.11/29 port et.1.1
interface create ip downstream address-netmask 10.40.1.10/24 vlan upstream
!
! Enable IGMP interfaces.
!
igmp enable interface 10.135.89.10
igmp enable interface 172.1.1.10
igmp enable interface 207.135.122.11
igmp enable interface 207.135.89.64
!
! Set IGMP Query Interval
!
igmp set queryinterval 30
!
! Enable DVMRP
!
dvmrp enable interface 10.135.89.10
dvmrp enable interface 172.1.1.10
dvmrp enable interface 207.135.122.11
dvmrp enable interface 207.135.89.64
dvmrp enable interface 10.40.1.10
!
! Set DVMRP parameters
!
dvmrp set interface 172.1.1.10 neighbor-timeout 200
!
! Start DVMRP
!
dvmrp start

```


Chapter 18

IP Policy-Based Forwarding Configuration Guide

Overview

You can configure the XP to route IP packets according to policies that you define. IP policy-based routing allows network managers to engineer traffic to make the most efficient use of their network resources.

IP policies forward packets based on layer-3 or layer-4 IP header information. You can define IP policies to route packets to a set of next-hop IP addresses based on any combination of the following IP header fields:

- IP protocol
- Source IP address
- Destination IP address
- Source Socket
- Destination Socket
- Type of service

For example, you can set up an IP policy to send packets originating from a certain network through a firewall, while letting other packets bypass the firewall. Sites that have multiple Internet service providers can use IP policies to assign user groups to particular ISPs. You can also create IP policies to select service providers based on various traffic types.

Configuring IP Policies

To implement an IP policy, you first create a profile for the packets to be forwarded using an IP policy. For example, you can create a profile defined as “all telnet packets going from network 9.1.0.0/16 to network 15.1.0.0/16”. You then associate the profile with an IP policy. The IP policy specifies what to do with the packets that match the profile. For example, you can create an IP policy that sends packets matching a given profile to next-hop gateway 100.1.1.1.

Configuring an IP policy consists of the following tasks:

- Defining a profile
- Associating the profile with a policy
- Applying the IP policy to an interface

Defining an ACL Profile

An ACL profile specifies the criteria packets must meet to be eligible for IP policy routing. You define profiles with the **acl** command. For IP policy routing, the XP uses the packet-related information from the **acl** command and ignores the other fields.

For example, the following **acl** command creates a profile called “prof1” for telnet packets going from network 9.1.1.5 to network 15.1.1.2:

```
xp(config)# acl prof1 permit ip 9.1.0.0/16 15.1.0.0/16 any any telnet 0
```

See the *Enterasys X-Pedition Command Line Interface Reference Manual* for complete syntax information for the **acl** command.

Note: ACLs for non-IP protocols cannot be used for IP policy routing.

Associating the Profile with an IP Policy

Once you have defined a profile with the **acl** command, you associate the profile with an IP policy by entering one or more **ip-policy** statements. An **ip-policy** statement specifies the next-hop gateway (or gateways) where packets matching a profile are forwarded. (See the *Enterasys X-Pedition Command Line Interface Reference Manual* for complete syntax information for the **ip-policy** command.)

For example, the following command creates an IP policy called “p1” and specifies that packets matching profile “prof1” are forwarded to next-hop gateway 10.10.10.10:

```
xp(config)# ip-policy p1 permit acl prof1 next-hop-list 10.10.10.10
```

You can also set up a policy to prevent packets from being forwarded by an IP policy. For example, the following command creates an IP policy called “p2” that prevents packets matching prof1 from being forwarded using an IP policy:

```
xp(config)# ip-policy p2 deny acl prof1
```

Packets matching the specified profile are forwarded using dynamic routes instead.

Creating Multi-Statement IP Policies

An IP policy can contain more than one **ip-policy** statement. For example, an IP policy can contain one statement that sends all packets matching a profile to one next-hop gateway, and another statement that sends packets matching a different profile to a different next-hop gateway. If an IP policy has multiple **ip-policy** statements, you can assign each statement a sequence number that controls the order in which they are evaluated. Statements are evaluated from lowest sequence number to highest.

For example, the following commands create an IP policy called “p3”, which consists of two IP policy statements. The **ip policy permit** statement has a sequence number of 1, which means it is evaluated before the **ip policy deny** statement, which has a sequence number of 900.

```
xp(config)# ip-policy p3 permit acl prof1 next-hop-list 10.10.10.10 sequence 1
xp(config)# ip-policy p3 deny acl prof2 sequence 900
```

Setting the IP Policy Action

You can use the **action** parameter with the **ip-policy permit** command to specify when to apply the IP policy route with respect to dynamic or statically configured routes. The options of the **action** parameter can cause packets to use the IP policy route first, then the dynamic route if the next-hop gateway specified in the IP policy is unavailable; use the dynamic route first, then the IP policy route; or drop the packets if the next-hop gateway specified in the IP policy is unavailable.

Note: To ensure that a gateway for policy-based routing is available, use the **ip-policy set** command and enable the **pinger** task.

For example, the following command causes packets that match the profile to use dynamic routes first and use the IP policy gateway only if a dynamic route is not available:

```
xp(config)# ip-policy p2 permit acl prof1 action policy-last
```

Setting Load Distribution for Next-Hop Gateways

You can specify up to four next-hop gateways in an **ip-policy** statement. If you specify more than one next-hop gateway, you can use the **ip-policy set** command to control how the load is distributed among them and to check the availability of the next-hop gateways.

Note: To ensure that a gateway for policy-based routing is available, use the **ip-policy set** command and enable the **pinger** task.

By default, each new flow uses the first available next-hop gateway. You can use the **ip-policy set** command to cause flows to use all the next-hop gateways in the **ip-policy permit** statement sequentially. For example, the following command picks the next gateway in the list for each new flow for policy 'p1':

```
xp(config)# ip-policy p1 set load-policy round-robin
```

The **ip-policy set** command can also be used to check the availability of next-hop gateways by periodically querying them with ICMP_ECHO_REQUESTS. Only gateways that respond to these requests are used for forwarding packets. For example, the following command checks the availability of next-hop gateways specified in the policy 'p1':

```
xp(config)# ip-policy p1 set pinger on
```

Note: Some hosts may have disabled responding to ICMP_ECHO packets. Make sure each next-hop gateway can respond to ICMP_ECHO packets before using this option.

Applying an IP Policy to an Interface

After you define the IP policy, it must be applied to an inbound IP interface with the **ip-policy apply** command. Once the IP policy is applied to the interface, packets start being forwarded according to the IP policy. (See the *Enterasys X-Pedition Command Line Interface Reference Manual* for complete syntax information for the **ip-policy apply** command.)

For example, the following command applies the IP policy 'p2' to the interface 'int2':

```
xp(config)# ip-policy p2 apply interface int2
```

Applying an IP Policy to Locally Generated Packets

You can apply an IP policy to locally-generated packets (that is, packets generated by the XP). For example, the following command applies the IP policy 'p2' to locally-generated packets:

```
xp(config)# ip-policy p2 apply local
```

IP Policy Configuration Examples

This section presents some examples of IP policy configurations. The following uses of IP policies are demonstrated:

- Routing traffic to different ISPs
- Prioritizing service to customers
- Authenticating users through a firewall
- Firewall load balancing

Routing Traffic to Different ISPs

Sites that have multiple Internet service providers can create IP policies that cause different user groups to use different ISPs. You can also create IP policies to select service providers based on various traffic types.

In the sample configuration in [Chapter 18, *IP Policy-Based Forwarding Configuration Guide*](#), the policy router is configured to divide traffic originating within the corporate network between different ISPs (100.1.1.1 and 200.1.1.1).

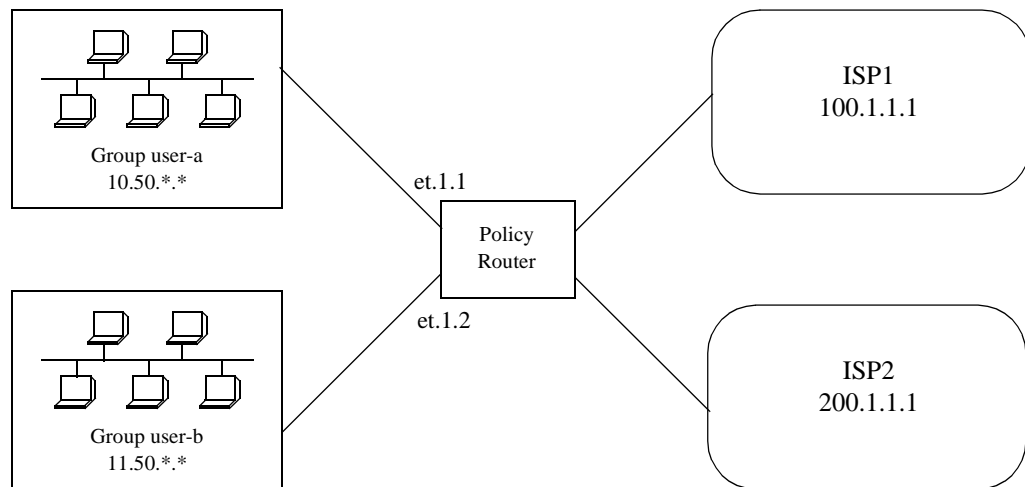


Figure 22. Using an IP Policy to Route Traffic to Two Different ISPs

HTTP traffic originating from network 10.50.0.0 for destination 207.31.0.0/16 is forwarded to 100.1.1.1. Non-HTTP traffic originating from network 10.50.0.0 for destination 207.31.0.0/16 is forwarded to 200.1.1.1. All other traffic is forwarded to 100.1.1.1.

The following is the IP policy configuration for the Policy Router in [Figure 22](#):

```

interface create ip user-a address-netmask 10.50.1.1/16 port et.1.1
interface create ip user-b address-netmask 11.50.1.1/16 port et.1.2

acl user-a-http permit ip 10.50.0.0/16 207.31.0.0/16 any http 0
acl user-a permit ip 10.50.0.0/16 207.31.0.0/16 any any 0
acl user-b permit ip 11.50.0.0/16 any any any 0

ip-policy net-a permit acl user-a-http next-hop-list 100.1.1.1 action policy-first sequence 20

ip-policy net-a permit acl user-a next-hop-list 200.1.1.1 action policy-only sequence 25

ip-policy net-a apply interface user-a

ip-policy net-b permit acl user-b next-hop-list 200.1.1.1 action policy-first

ip-policy net-b apply interface user-b
    
```

Prioritizing Service to Customers

An ISP can use policy-based routing on an access router to supply different customers with different levels of service. The sample configuration in [Figure 23](#) shows an XP using an IP policy to classify customers and route traffic to different networks based on customer type.

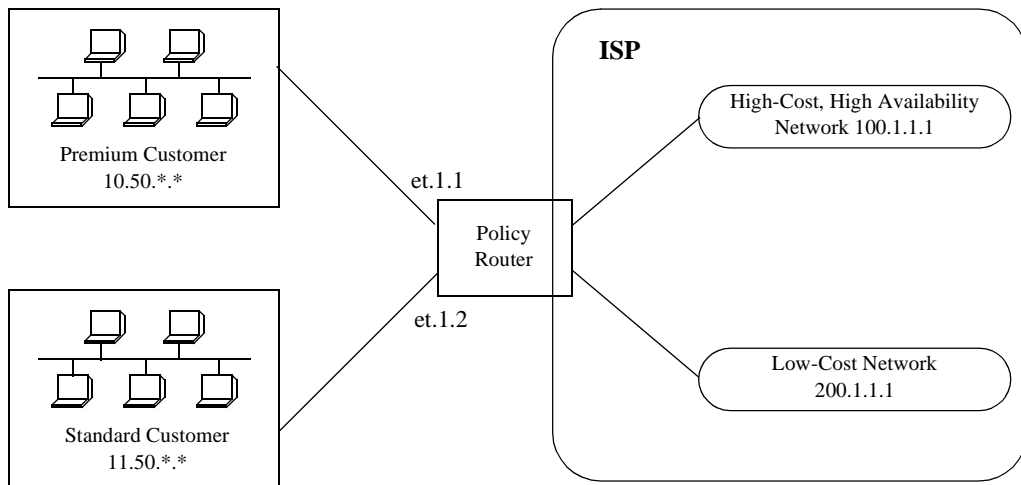


Figure 23. Using an IP Policy to Prioritize Service to Customers

Traffic from the premium customer is load balanced across two next-hop gateways in the high-cost, high-availability network. If neither of these gateways is available, then packets are forwarded based on dynamic routes learned via routing protocols.

Traffic from the standard customer always uses one gateway (200.1.1.1). If for some reason that gateway is not available, packets from the standard customer are dropped.

The following is the IP policy configuration for the Policy Router in [Figure 23](#):

```
interface create ip premium-customer address-netmask 10.50.1.1/16 port et.1.1

interface create ip standard-customer address-netmask 11.50.1.1/16 port et.1.2

acl premium-customer permit ip 10.50.0.0/16 any any any 0
acl standard-customer permit ip 11.50.0.0/16 any any any 0

ip-policy p1 permit acl premium-customer next-hop-list "100.1.1.1
100.1.1.2" action policy-first sequence 20

ip-policy apply interface premium-customer

ip-policy p2 permit acl standard-customer next-hop-list 200.1.1.1 action policy-only sequence 30

ip-policy apply interface standard-customer
```

Authenticating Users through a Firewall

You can define an IP policy that authenticates packets from certain users via a firewall before accessing the network. If for some reason the firewall is not responding, the packets to be authenticated are dropped. [Figure 24](#) illustrates this kind of configuration.

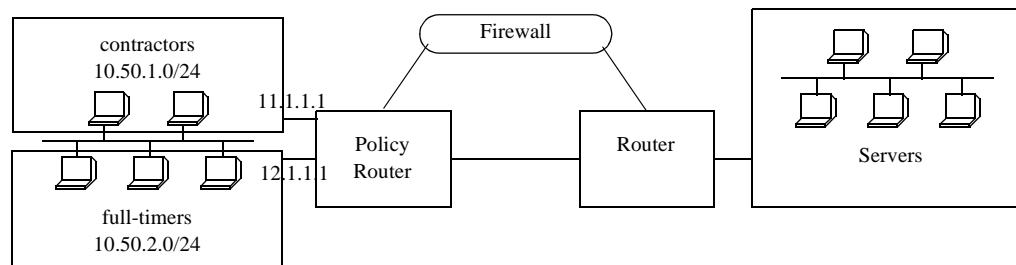


Figure 24. Using an IP Policy to Authenticate Users Through a Firewall

Packets from users defined in the “contractors” group are sent through a firewall. If the firewall cannot be reached packets from the contractors group are dropped. Packets from users defined in the “full-timers” group do not have to go through the firewall.

The following is the IP policy configuration for the Policy Router in [Figure 24](#):

```
interface create ip mls0 address-netmask 10.50.1.1/16 port et.1.1

acl contractors permit ip 10.50.1.0/24 any any any 0
acl full-timers permit ip 10.50.2.0/24 any any any 0

ip-policy access permit acl contractors next-hop-list 11.1.1.1 action policy-only
ip-policy access permit acl full-timers next-hop-list 12.1.1.1 action policy-first
ip-policy access apply interface mls0
```

Firewall Load Balancing

The next hop gateway can be selected by the following information in the IP packet: source IP, destination IP, or both the source and destination IP. [Figure 25](#) illustrates this configuration.

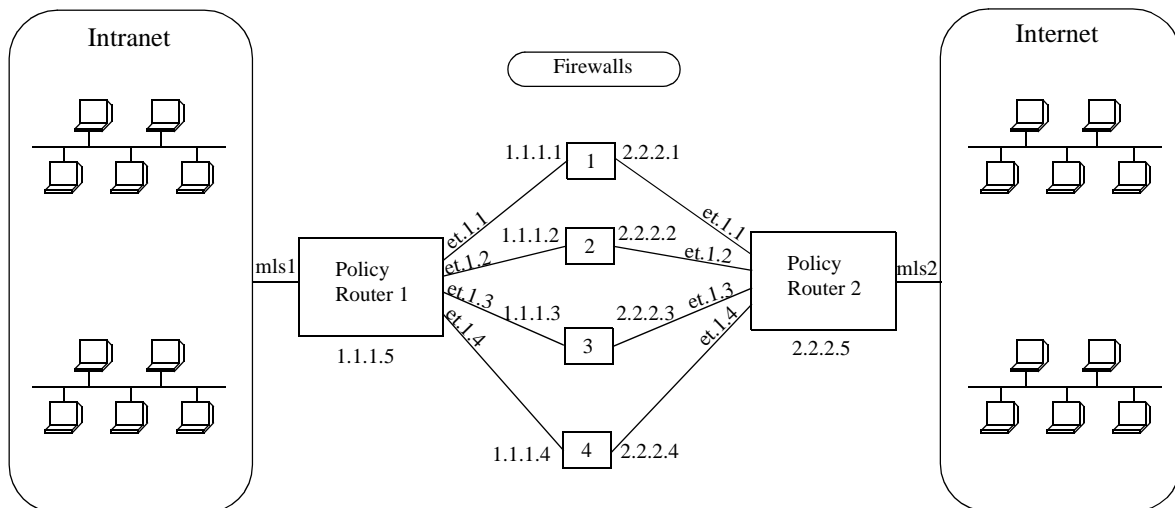


Figure 25. Selecting Next Hop Gateway from IP Packet Information

One session should always go to a particular firewall for persistence.

The following is the configuration for Policy Router 1 in [Figure 25](#).

```
vlan create firewall
vlan add ports et.1.(1-5) to firewall

interface create ip firewall address-netmask 1.1.1.5/16 vlan firewall

acl firewall permit ip any any any 0

ip-policy p1 permit acl firewall next-hop-list "1.1.1.1 1.1.1.2 1.1.1.3 1.1.1.4" action policy-only

ip-policy p1 set load-policy ip-hash both

ip-policy p1 apply interface mls1
```

The following is the configuration for Policy Router 2 in [Figure 25](#).

```
vlan create firewall
vlan add ports et.1.(1-5) to firewall

interface create ip firewall address-netmask 2.2.2.5/16 vlan firewall

acl firewall permit ip any any any 0

ip-policy p2 permit acl firewall next-hop-list "2.2.2.1 2.2.2.2 2.2.2.3 2.2.2.4" action policy-only

ip-policy p2 set load-policy ip-hash both

ip-policy p2 apply interface mls2
```

Monitoring IP Policies

The **ip-policy show** command reports information about active IP policies, including profile definitions, policy configuration settings, and next-hop gateways. The command also displays statistics about packets that have matched an IP policy statement as well as the number of packets that have been forwarded to each next-hop gateway.

For example, to display information about an active IP policy called “p1”, enter the following command in Enable mode:

```
xp# ip-policy show policy-name p1
-----
IP Policy name   : p1 ①
Applied Interfaces : int1 ②
Load Policy      : first available ③

④      ⑤      ⑥      ⑦      ⑧      ⑨ ⑩
ACL      Source IP/Mask  Dest. IP/Mask  SrcPort  DstPort  TOS Prot
-----
prof1    9.1.1.5/32      15.1.1.2      any      any      0 IP
prof2    2.2.2.2/32          anywhere      any      any      0 IP
everything anywhere      anywhere      any      any      0 IP

                          Next Hop Information
                          -----
⑪ ⑫ ⑬ ⑭ ⑮      ⑯      ⑰ ⑱
Seq Rule  ACL      Cnt Action      Next Hop      Cnt Last
-----
10 permit prof1 0 Policy Only    11.1.1.2      0 Dwn
20 permit prof2 0 Policy Last   1.1.1.1      0 Dwn
                               2.2.2.2      0 Dwn
                               3.3.3.3      0 Dwn
999 permit everything 0 Policy Only    drop          N/A N/A
65536 deny deny 0 N/A      normal fwd    N/A N/A
⑲
```

Legend:

1. The name of the IP policy.
2. The interface where the IP policy was applied.
3. The load distribution setting for IP-policy statements that have more than one next-hop gateway; either first available (the default) or round-robin.
4. The names of the profiles (created with an **acl** statement) associated with this IP policy.
5. The source address and filtering mask of this flow.
6. The destination address and filtering mask of this flow.
7. For TCP or UDP, the number of the source TCP or UDP port.
8. For TCP or UDP, the number of the destination TCP or UDP port.
9. The TOS value in the packet.
10. IP protocol (ICMP, TCP UDP).
11. The sequence in which the statement is evaluated. IP policy statements are listed in the order they are evaluated (lowest sequence number to highest).

12. The rule to apply to the packets matching the profile: either permit or deny
13. The name of the profile (ACL) of the packets to be forwarded using an IP policy.
14. The number of packets that have matched the profile since the IP policy was applied (or since the **ip-policy clear** command was last used)
15. The method by which IP policies are applied with respect to dynamic or statically configured routes; possible values are Policy First, Policy Only, or Policy Last.
16. The list of next-hop gateways in effect for the policy statement.
17. The number of packets that have been forwarded to this next-hop gateway.
18. The state of the link the last time an attempt was made to forward a packet; possible values are up, down, or N/A.
19. Implicit deny rule that is always evaluated last, causing all packets that do not match one of the profiles to be forwarded normally (with dynamic routes).

See the *Enterasys X-Pedition Command Line Interface Reference Manual* for complete syntax information for the **ip-policy show** command.

Chapter 19

Network Address Translation Configuration Guide

Overview

Note: Some commands in this facility require updated XP hardware.

Network Address Translation (NAT) allows an IP address used within one network to be translated into a different IP address used within another network. NAT is often used to map addresses used in a private, local intranet to one or more addresses used in the public, global Internet. NAT provides the following benefits:

- Limits the number of IP addresses used for private intranets that are required to be registered with the Internet Assigned Numbers Authority (IANA).
- Conserves the number of global IP addresses needed by a private intranet (for example, an entity can use a single IP address to communicate on the Internet).
- Maintains privacy of local networks, as internal IP addresses are hidden from public view.

With NAT, the local network is designated the *inside* network and the global Internet is designated the *outside* network. In addition, the XP supports Port Address Translation (PAT) for either static or dynamic address bindings.

The XP allows you to create the following NAT address bindings:

- Static, one-to-one binding of inside, local address or address pool to outside, global address or address pool. A static address binding does not expire until the command that defines the binding is negated. IP addresses defined for static bindings cannot be reassigned. For static address bindings, PAT allows TCP or UDP port numbers to be translated along with the IP addresses.
- Dynamic binding between an address from a pool of local addresses to an address from a pool of outside addresses. With dynamic address binding, you define local and global address pools from which the addresses bindings can be made. IP addresses defined for dynamic binding are reassigned whenever they become free. For dynamic address bindings, PAT allows port address translation if no addresses are available from the global address pool. PAT allows port address translation for each address in the global pool. The ports are dynamically assigned between the range of 1024 to 4999. Hence, you have about 4,000 ports per global IP address.

Dynamic bindings are removed automatically when the flow count goes to zero. At this point, the corresponding port (if PAT enabled) or the global IP address is freed and can be reused the next time. Although there are special cases like FTP where the flows are not installed for the control path, the binding will be removed only by the dynamic binding timeout interval.

Configuring NAT

The following are the steps in configuring NAT on the XP:

1. Setting the NAT interfaces to be “inside” or “outside.”
2. Setting the NAT rules (static or dynamic).

Setting Inside and Outside Interfaces

When NAT is enabled, address translation is only applied to those interfaces which are defined to NAT as “inside” or “outside” interfaces. NAT only translates packets that arrive on a defined inside or outside interface.

To specify an interface as inside (local) or outside (global), enter the following command in Configure mode.

Define an interface as inside or outside for NAT.	nat set interface <InterfaceName> inside outside
---	---

Setting NAT Rules

Static

You create NAT static bindings by entering the following command in Configure mode.

Enable NAT with static address binding.	nat create static protocol ip tcp udp local-ip <local-ip-add/address range> global-ip <global-ip-add/address range> [local-port <tcp/udp local-port> any] [global-port <tcp/udp global-port> any]
---	--

Dynamic

You create NAT dynamic bindings by entering the following command in Configure mode.

Enable NAT with dynamic address binding.	nat create dynamic local-acl-pool <local-acl> global-pool <ip-addr/ip-addr-range/ip-addr-list/ip-addr-mask> [matches-interface <interface>] [enable-ip-overload]
--	---

For dynamic address bindings, you define the address pools with previously-created ACLs. You can also specify the **enable-port-overload** parameter to allow PAT.

Forcing Flows through NAT

If a host on the outside global network knows an inside local address, it can send a message directly to the inside local address. By default, the XP will route the message to the destination. You can force *all* flows between the inside local pool and the outside global network to be translated. This prevents a host on the outside global network from being allowed to send messages directly to any address in the local address pool.

You force address translation of all flows to and from the inside local pool by entering the following command in Configure mode.

Force all flows to and from local address pool to be translated.	nat set secure-plus on off
--	-----------------------------------

Managing Dynamic Bindings

As mentioned previously, dynamic address bindings expire only after a period of non-use or when they are manually deleted. The default timeout for dynamic address bindings is 1440 minutes (24

hours). You can manually delete dynamic address bindings for a specific address pool or delete all dynamic address bindings.

To set the timeout for dynamic address bindings, enter the following command in Configure mode.

Set timeout for dynamic address bindings.	nat set dynamic-binding-timeout <minutes> /disable
---	---

To flush dynamic address bindings, enter the following command in Enable mode.

Flush all dynamic address bindings.	nat flush-dynamic-binding all
Flush dynamic address bindings based on local and global ACL pools.	nat flush-dynamic-binding pool-specified local-acl-pool <local-acl> global-pool <ip-addr/ip-addr-range/ip-addr-list/ip-addr-mask>
Flush dynamic address bindings based on binding type.	nat flush-dynamic-binding type-specified dynamic overloaded-dynamic
Flush dynamic address bindings based on application.	nat flush-dynamic-binding owner-specified dns ftp-control ftp-data

NAT and DNS

NAT can translate an address that appears in a Domain Name System (DNS) response to a name or inverse lookup. For example, if an outside host sends a name lookup to an inside DNS server, the inside DNS server can respond with a local IP address, which NAT translates to a global address.

You create NAT dynamic bindings for DNS by entering the following command in Configure mode.

Enable NAT with dynamic address binding for DNS query/reply.	nat create dynamic local-acl-pool <outside-local-acl> global-pool <ip-addr/ip-addr-range/ip-addr-list/ip-addr-mask>
--	---

DNS packets that contain addresses that match the ACL specified by **outside-local-acl-pool** are translated using local addresses allocated from **inside-global-pool**.

The default timeout for DNS dynamic address bindings is 30 minutes. You can change this timeout by entering the following command in Configure mode:

Specify the timeout for DNS bindings.	nat set dns-session-timeout <minutes>
---------------------------------------	--

NAT and ICMP Packets

NAT translates addresses embedded in the data portion of the following types of ICMP error messages:

- Destination unreachable (type 3)
- Source quench (type 4)
- Redirect (type 5)
- Time exceeded (type 11)
- Parameter problem (type 12)

NAT and FTP

File Transfer Protocol (FTP) packets require special handling with NAT, because the FTP PORT command packets contain IP address information within the data portion of the packet. It is therefore important for NAT to know which control port is used for FTP (the default is port 21) and the timeout for the FTP session (the default is 30 minutes). If FTP packets will arrive on a different port number, you need to specify that port to NAT.

To define FTP parameters to NAT, enter the following commands in Configure mode.

Specify the FTP control port.	nat set ftp-control-port <port number>
Specify the FTP session timeout.	nat set ftp-session-timeout <minutes>

If PAT is enabled, NAT checks packets for the FTP PORT command. If a packet is to be translated (as determined by the ACL specified for the dynamic address binding), NAT creates a dynamic binding for the PORT command. An outside host will only see a global IP address in an FTP response and not the local IP address.

Monitoring NAT

To display NAT information, enter the following command in Enable mode.

Display NAT information.	nat show [translations all]<type>] [timeouts] [statistics]
--------------------------	---

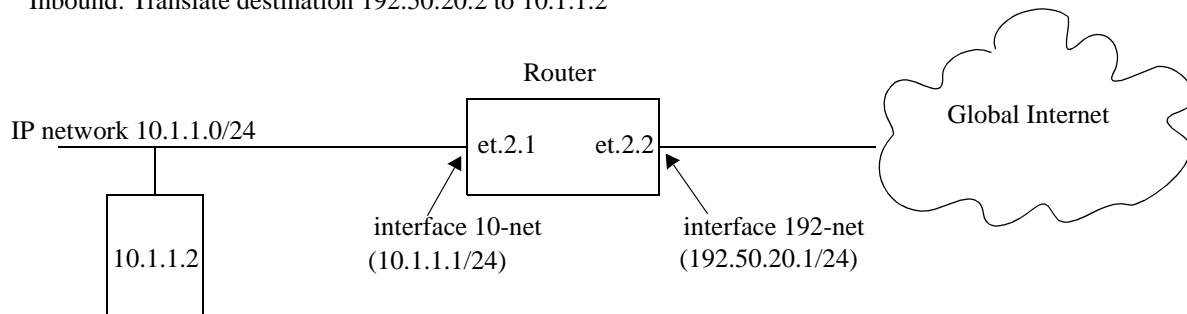
Configuration Examples

This section shows examples of NAT configurations.

Static Configuration

The following example configures a static address binding for inside address 10.1.1.2 to outside address 192.50.20.2:

Outbound: Translate source 10.1.1.2 to 192.50.20.2
 Inbound: Translate destination 192.50.20.2 to 10.1.1.2



The first step is to create the interfaces:

```
interface create ip 10-net address-netmask 10.1.1.1/24 port et.2.1
interface create ip 192-net address-netmask 192.50.20.1/24 port et.2.2
```

Next, define the interfaces to be NAT “inside” or “outside”:

```
nat set interface 10-net inside
nat set interface 192-net outside
```

Then, define the NAT static rules:

```
nat create static protocol ip local-ip 10.1.1.2 global-ip 192.50.20.2
```

Using Static NAT

Static NAT can be used when the local and global IP addresses are to be bound in a fixed manner. These bindings never get removed nor time out until the static NAT command itself is negated. Static binding is recommended when you have a need for a permanent type of binding.

The other use of static NAT is when the out to in traffic is the first to initialize a connection, i.e., the first packet is coming from outside to inside. This could be the case when you have a server in the local network and clients located remotely. Dynamic NAT would not work for this case as bindings are always created when an in to out Internet connection occurs. A typical example is a web server inside the local network, which could be configured as follows:

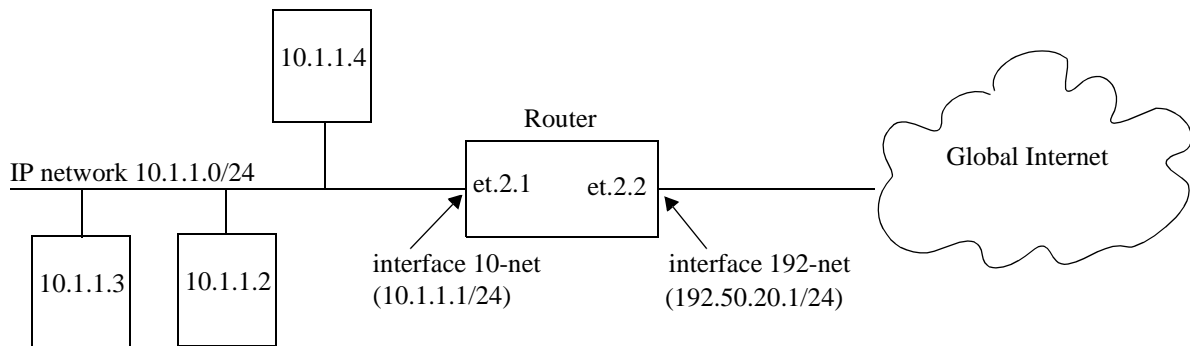
```
nat create static protocol tcp local-ip 10.1.1.2 global-ip 192.50.20.2 local-port 80 global-port 80
```


This server, 10.1.1.2, is advertised as 192.50.20.2 to the external network.

Dynamic Configuration

The following example configures a dynamic address binding for inside addresses 10.1.1.0/24 to outside address 192.50.20.0/24:

Outbound: Translate source pool 10.1.1.0/24 to global pool 192.50.20.0/24



The first step is to create the interfaces:

```
interface create ip 10-net address-netmask 10.1.1.1/24 port et.2.1
interface create ip 192-net address-netmask 192.50.20.1/24 port et.2.2
```

Next, define the interfaces to be NAT “inside” or “outside”:

```
nat set interface 10-net inside
nat set interface 192-net outside
```

Then, define the NAT dynamic rules by first creating the source ACL pool and then configuring the dynamic bindings:

```
acl lcl permit ip 10.1.1.0/24
nat create dynamic local-acl-pool lcl global-pool 192.50.20.0/24
```

Using Dynamic NAT

Dynamic NAT can be used when the local network (inside network) is going to initialize the connections. It creates a binding at run time when a packet is sent from a local network, as defined by the NAT dynamic local ACL pool. The network administrator does not have to worry about the way in which the bindings are created; the network administrator just sets the pools and the XP automatically chooses a free global IP from the global pool for the local IP.

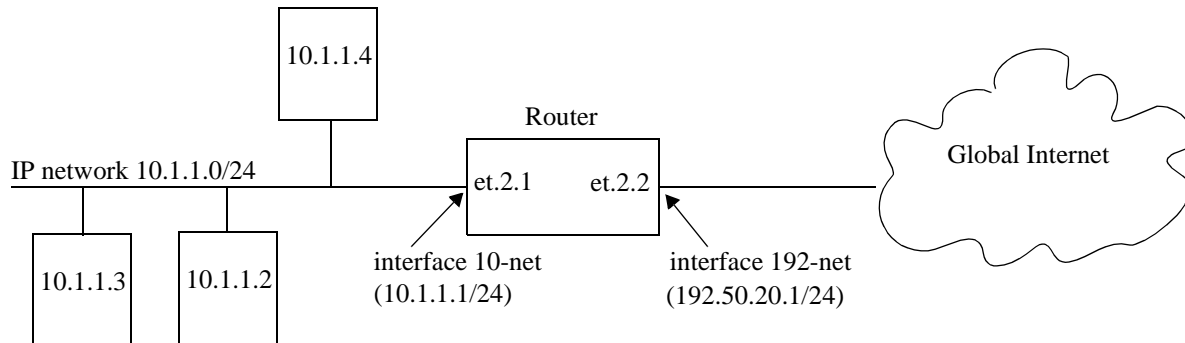
Dynamic bindings are removed when the flow count for that binding goes to zero or the timeout has been reached. The free globals are used again for the next packet.

A typical problem is that if there are more local IP addresses as compared to global IP addresses in the pools, then packets will be dropped if all the globals are used. A solution to this problem is to use PAT with NAT dynamic. This is only possible with TCP or UDP protocols.

Dynamic NAT with IP Overload (PAT) Configuration

The following example configures a dynamic address binding for inside addresses 10.1.1.0/24 to outside address 192.50.20.0/24:

Outbound: Translate source pool 10.1.1.0/24 to global pool 192.50.20.1-192.50.20.3



The first step is to create the interfaces:

```
interface create ip 10-net address-netmask 10.1.1.1/24 port et.2.1
interface create ip 192-net address-netmask 192.50.20.1/24 port et.2.2
```

Next, define the interfaces to be NAT “inside” or “outside”:

```
nat set interface 10-net inside
nat set interface 192-net outside
```

Then, define the NAT dynamic rules by first creating the source ACL pool and then configuring the dynamic bindings:

```
acl lcl permit ip 10.1.1.0/24
nat create dynamic local-acl-pool lcl global-pool 192.50.20.1-192.50.20.3
```

Using Dynamic NAT with IP Overload

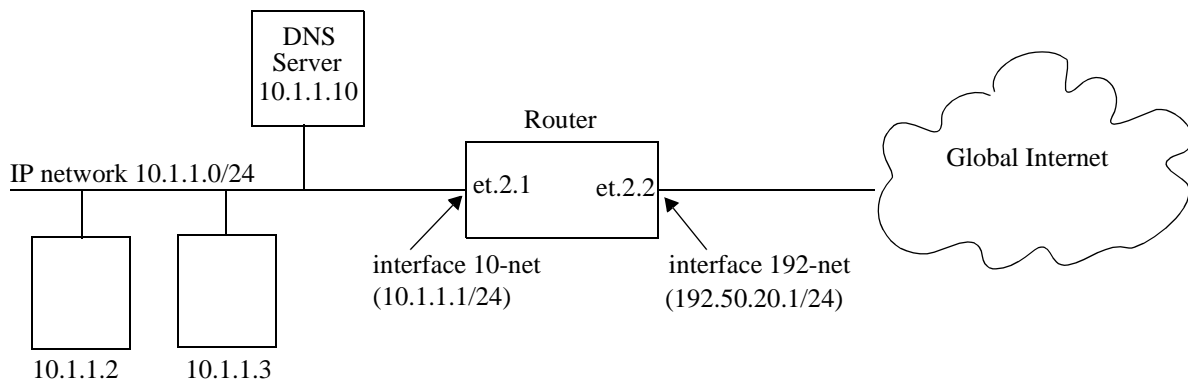
Dynamic NAT with IP overload can be used when the local network (inside network) will be initializing the connections using TCP or UDP protocols. It creates a binding at run time when the packet comes from a local network defined in the NAT dynamic local ACL pool. The difference between the dynamic NAT and dynamic NAT with PAT is that PAT uses port (layer 4) information to do the translation. Hence, each global IP has about 4000 ports that can be translated. NAT on the XP uses the standard BSD range of ports from 1024-4999 which is fixed and cannot be configured by the user. The network administrator does not have to worry about the way in which the bindings are created; he/she just sets the pools and the XP automatically chooses a free global IP from the global pool for the local IP.

Dynamic bindings are removed when the flow count goes to zero or the timeout has been reached. The removal of bindings frees the port for that global and the port is available for reuse. When all the ports for that global are used, then ports are assigned from the next free global. If no more ports and globals are available, the packets will be dropped.

Dynamic NAT with DNS

The following example configures a DNS dynamic address binding for outside address 192.50.20.2-192.50.20.9 to inside addresses 10.1.1.0/24:

DNS server static binding of 10.1.1.10 to 192.50.20.10



The first step is to create the interfaces:

```
interface create ip 10-net address-netmask 10.1.1.1/24 port et.2.1
interface create ip 192-net address-netmask 192.50.20.1/24 port et.2.2
```

Next, define the interfaces to be NAT “inside” or “outside”:

```
nat set interface 10-net inside
nat set interface 192-net outside
```

Then, define the NAT dynamic rules by first creating the source ACL pool and then configuring the dynamic bindings:

```
acl lcl permit ip 10.1.1.0/24
nat create dynamic local-acl-pool lcl global-pool 192.50.20.2-192.50.20.9
nat create static local-ip 10.1.1.10 global-ip 192.50.20.10 protocol ip
```

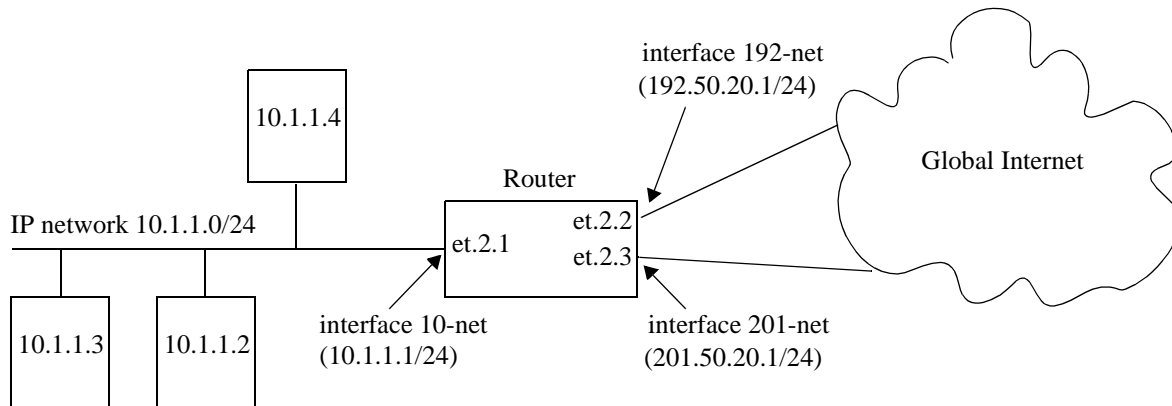
Using Dynamic NAT with DNS

When a client from outside sends a query to the static global IP address of the DNS server, NAT will translate the global IP address to the local IP address of the DNS server. The DNS server will resolve the query and respond with a reply. The reply can include the local IP address of a host inside the local network (for example, 10.1.1.2); this local IP address will be translated by NAT into a global IP address (for example, 192.50.20.2) in a dynamic binding for the response.

Dynamic NAT with Outside Interface Redundancy

The following example configures a dynamic address binding for inside addresses 10.1.1.0/24 to outside addresses 192.50.20.1/24 on interface 192-net and to outside addresses 201.50.20.1/24 on interface 201-net:

Outbound: Translate source pool 10.1.1.0/24 to global pool 192.50.20.0/24
 Translate source pool 10.1.1.0/24 to global pool 201.50.20.0/24



The first step is to create the interfaces:

```
interface create ip 10-net address-netmask 10.1.1.1/24 port et.2.1
interface create ip 192-net address-netmask 192.50.20.1/24 port et.2.2
interface create ip 201-net address-netmask 201.50.20.1/24 port et.2.3
```

Next, define the interfaces to be NAT “inside” or “outside”:

```
nat set interface 10-net inside
nat set interface 192-net outside
nat set interface 201-net outside
```

Then, define the NAT dynamic rules by first creating the source ACL pool and then configuring the dynamic bindings:

```
acl lcl permit ip 10.1.1.1/24
nat create dynamic local-acl-pool lcl global-pool 192.50.20.1/24 matching-if 192-net
nat create dynamic local-acl-pool lcl global-pool 210.50.20.1/24 matching-if 201-net
```

Using Dynamic NAT with Matching Interface Redundancy

If you have redundant connections to the remote network via two different interfaces, you can use NAT for translating the local address to the different global pool specified for the two connections. This case is possible when you have two ISPs connected on two different interfaces to the Internet. Through a routing protocol, some routes will result in traffic going out of one interface and for others going out on the other interface. NAT will check which interface the packet is going out from before selecting a global pool. Hence, you can specify two different global pools with the same local ACL pool on two different interfaces.

Chapter 20

Web Hosting Configuration Guide

Overview

Accessing information on websites for both work or personal purposes is becoming a normal practice for an increasing number of people. For many companies, fast and efficient web access is important for both external customers who need to access the company websites, as well as for users on the corporate intranet who need to access Internet websites.

The following features on the XP provide ways to improve web access for external and internal users:

- Load balancing allows incoming HTTP requests to a company's website to be distributed across several physical servers. If one server should fail, other servers can pick up the workload.
- Web caching allows HTTP requests from internal users to Internet sites to be redirected to cached Web objects on local servers. Not only is response time faster since requests can be handled locally, but overall WAN bandwidth usage is reduced.

Note: Load balancing and web caching can be performed using application software, however, the XP can perform these functions much faster as the redirection is handled by specialized hardware.

Load Balancing

Note: Load balancing requires updated XP hardware.

You can use the load balancing feature on the XP to distribute session load across a group of servers. If you configure the XP to provide load balancing, client requests that go through the XP can be redirected to any one of several predefined hosts. With load balancing, clients access servers through a virtual IP. The XP transparently redirects the requests with no change required on the clients or servers; all configuration and redirection is done on the XP.

Configuring Load Balancing

The following are the steps in configuring load balancing on the XP:

1. Create a logical group of load balancing servers and define a virtual IP for the group.
2. Define the servers in the group.
3. Specify optional operating parameters for the group of load balancing servers or for individual servers in the group.

Creating the Server Group

To use load balancing, you create a logical group of load balancing servers and define a virtual IP for the server that the clients will use to access the server pool.

To create the server group and define the virtual IP for the server, enter the following command in Configure mode:

Create group of load balancing servers.	load-balance create group-name <group name> virtual-ip <ipaddr> [virtual-port <port number>] protocol tcp udp [persistence-level tcp ssl vpn sticky]
Create a range of load balancing server groups.	load-balance create vip-range-name <range name> vip-range <range> [virtual-port <port number>] protocol tcp udp [persistence-level tcp ssl vpn sticky]

Adding Servers to the Load Balancing Group

Once a logical server group is created, you specify the servers that can handle client requests. When the XP receives a client request directed to the virtual server address, it redirects the request to the actual server address and port. Server selection is done according to the specified policy.

To add servers to the server group, enter the following command in Configure mode:

Add load balancing servers to a specific server group.	load-balance add host-to-group <ipaddr/range> group-name <group name> port <port number> [weight <weight>]
Add range of load balancing servers to a range of server groups.	load-balance add host-to-vip-range <range> vip-range-name <range name> port <port number> [weight <weight>]

Session Persistence

Load balancing clients connect to a *virtual IP* address, which in reality is redirected to one of several physical servers in a load balancing group. In many web page display applications, a client may have its requests redirected to and serviced by different servers in the group. In certain situations, however, it may be critical that all traffic for the client be directed to the same physical server for the duration of the session; this is the concept of *session persistence*.

When the XP receives a new session request from a client for a specific virtual address, the XP creates a *binding* between the client (source) IP address/port socket and the (destination) IP address/port socket of the load balancing server selected for this client. Subsequent packets from clients are compared to the list of bindings: if there is a match, the packet is sent to the same server previously selected for this client; if there is not a match, a new binding is created. How the XP determines the binding match for session persistence is configured with the **persistence-level** option when the load balancing group is created (see *Creating the Server Group on page 258*).

There are four configurable levels of session persistence:

- **TCP persistence:** a binding is determined by the matching the source IP/port address as well as the virtual destination IP/port address. For example, requests from the client address of 134.141.176.10:1024 to the virtual destination address 207.135.89.16:80 is considered one session and would be directed to the same load balancing server (for example, the server with IP address 10.1.1.1). A request from a different source socket from the same client address to the same virtual destination address would be considered another session and may be directed to a different load balancing server (for example, the server with IP address 10.1.1.2). This is the default level of session persistence.

- **SSL persistence:** a binding is determined by matching the source IP address and the virtual destination IP/port address. Note that requests from *any* source socket with the client IP address are considered part of the same session. For example, requests from the client IP address of 134.141.176.10:1024 or 134.141.176.10:1025 to the virtual destination address 207.135.89.16:80 would be considered one session and would be directed to the same load balancing server (for example, the server with IP address 10.1.1.1).
- **Sticky persistence:** a binding is determined by matching the source and destination IP addresses only. This allows all requests from a client to the same virtual address to be directed to the same load balancing server. For example, both HTTP and HTTPS requests from the client address 134.141.176.10 to the virtual destination address 207.135.89.16 would be directed to the same load balancing server (for example, the server with IP address 10.1.1.1).
- **Virtual private network (VPN) persistence:** for VPN traffic using Encapsulated Security Payload (ESP) mode of IPsec, a binding is determined by matching the source and destination IP addresses in the secure key transfer request to subsequent client requests. This allows both the secure key transfer and subsequent data traffic from a particular client to be directed to the same load balancing server. The default port number recognized by the XP for secure key transfer in VPN is 500; you can use the **load-balance set vpn-dest-port** command to specify a different port number.

You can use the **load-balance show source-mappings** command to display information about the current list of bindings.

The binding between a client (source) and a load balancing server times out after a certain period of non-activity. The default timeout depends upon the session persistence level configured, as shown below:

Persistence Level	Default Binding Timeout
TCP	3 minutes
SSL	120 minutes
Sticky	120 minutes
VPN	3 minutes

You can change the timeout for a load balancing group with the **load-balance set aging-for-src-maps** command.

The XP also supports *netmask persistence*, which can be used with any of the four levels of session persistence. A netmask (configured with the **load-balance set client-proxy-subnet** command) is applied to the source IP address and this address is compared to the list of bindings: if a binding exists, the packet is sent to the same load balancing server previously selected for this client; if there is not a match, a new binding is created.

This feature allows a range of source IP addresses (with different port numbers) to be sent to the same load balancing server. This is useful where client requests may go through a proxy that uses Network Address Translation or Port Address Translation or multiple proxy servers. During a

session, the source IP address can change to one of several sequential addresses in the translation pool; the netmask allows client requests to be sent to the same server.

Optional Group or Server Operating Parameters

There are several commands you can specify that affect the operating parameters of individual servers or the entire group of load balancing servers. In many cases, there are default parameter values and you only need to specify a command if you wish to change the default operation. For example, you can specify the policy to be used for distributing the workload for a group of load balancing servers. By default, the XP assigns sessions to servers in a round-robin (sequential) manner.

Specifying Load Balancing Policy

The default policy for distributing workload among the load balancing servers is “round-robin,” where the XP selects the server on a rotating basis without regard to the load on individual servers. Other policies can be chosen for the group, including least loaded, where the server with the fewest number of sessions bound to it is selected to service a new session. The weighted round robin policy is a variation of the round-robin policy, where each server takes on new sessions according to its assigned weight. If you choose the weighted round robin policy, you must assign a weight to each server that you add to the load balancing group.

To specify the load balancing policy, enter the following command in Configure mode:

Specify load balancing policy.	load-balance set policy-for-group <i><group name></i> policy <i><policy></i>
--------------------------------	---

Note: These policies only affect groups created with the parameter **protocol tcp**; groups created with the parameter **protocol udp** are load-balanced using a fixed IP-hash policy.

Specifying a Connection Threshold

By default, there is no limit on the number of sessions that a load balancing server can service. You can configure a maximum number of connections that each server in a group can service.

To specify the connection threshold for servers in the group, enter the following command in Configure mode:

Specify maximum number of connections for all servers in the group.	load-balance set group-conn-threshold <i><group name></i> limit <i><maximum connections></i>
---	---

Note: This limits the number of connections for *each* server in the group, not the total number of connections for the group.

Verifying Servers and Applications

The XP *automatically* performs the following types of verification for the attached load balancing servers/applications:

- Verifies the state of the server by sending a ping to the server at 5-second intervals. If the XP does not receive a reply from a server after four ping requests, the server is considered to be “down.”
- Checks that an application session on the server can be established by doing a simple TCP handshake with the application on the configured physical port of the server at 15-second intervals. If the XP does not receive a reply from the application after four tries, the application is considered to be “down.”

You can change the intervals at which pings or handshakes are attempted and the number of times that the XP retries the ping or handshake before considering the server or application to be “down.” You can change these parameters for all servers in a load balancing group or for specific servers.

You can change the ping intervals and the number of retries by entering the following Configure mode commands:

Set ping interval for all servers in specified group.	load-balance set group-options <group name> ping-int <seconds>
Set ping interval for specific server.	load-balance set server-options <ipaddr> ping-int <seconds> port <port number>
Set number of ping retries for all servers in specified group.	load-balance set group-options <group name> ping-tries <number>
Set number of ping retries for specific server.	load-balance set server-options <ipaddr> ping-tries <number> port <port number>

You can change the handshake intervals and the number of retries by entering the following Configure mode commands:

Set handshake interval for all servers in specified group.	load-balance set group-options <group name> app-int <seconds>
Set handshake interval for specified server.	load-balance set server-options <group name> app-int <seconds> port <port number>
Set number of handshake retries for all servers in specified group.	load-balance set group-options <group name> app-tries <number>
Set number of verification retries for specified server.	load-balance set server-options <group name> app-tries <number> port <port number>

Verifying Extended Content

You can also have the XP verify the *content* of an application on one or more load balancing servers. For this type of verification, you specify the following:

- A string that the XP sends to a single server or to the group of load balancing servers. The string can be a simple HTTP command to get a specific HTML page. Or, it can be a command to execute a user-defined CGI script that tests the operation of the application.
- The reply that the application on each server sends back that the XP will use to validate the content. In the case where a specific HTML page is retrieved, the reply can be a string that appears on the page, such as “OK.” If a CGI script is executed on the server, it should return a specific response (for example, “OK”) that the XP can verify.

Note that you can specify this type of verification for a group of load balancing servers or for a specific server.

Application verification, whether a simple TCP handshake or a user-defined action-response check, involves opening and closing a connection to a load balancing server. Some applications require specific commands for proper closure of the connection. For example, a connection to an SMTP server application should be closed with the “quit” command. You can configure the XP to send a specific string to close a connection on a server.

You can verify an application by entering the following Configure mode commands:

Specify application verification for all servers in specified group.	load-balance set group-options <i><group name></i> acv-command <i><command string></i> acv-reply <i><reply string></i> read-till-index <i><reply string></i> [check-port <i><port-number></i>][acv-quit <i><quit string></i>]
Specify application verification for specified server.	load-balance set server-options <i><ipaddr></i> port <i><port number></i> acv-command <i><command string></i> acv-reply <i><reply string></i> read-till-index <i><reply string></i> [check-port <i><port-number></i>][acv-quit <i><quit string></i>]

Setting Server Status

It may become necessary at times to prevent new sessions from being directed to one or more load balancing servers. For example, if you need to perform maintenance tasks on a server system, you might want new sessions to temporarily *not* be directed to that server. Setting the status of a server to “down” prevents new sessions from being directed to that server. The “down” status does not affect any current sessions on the server. When the server is again ready to accept new sessions, you can set the server status to “up.”

To set the status of a load balancing server, enter the following command in Enable mode:

Set status of load balancing server.	load-balance set server-status server-ip <i><ipaddr/range></i> server-port <i><port number></i> group-name <i><group name></i> status up down
--------------------------------------	---

Load Balancing and FTP

File Transfer Protocol (FTP) packets require special handling with load balancing, because the FTP PORT command packets contain IP address information within the data portion of the packet. If the FTP control port used is not port 21, it is important for the XP to know the port number that is used for FTP.

To define an FTP control port (other than port 21) to the load balancing function, enter the following command in Configure mode:

Specify the FTP control port.	load-balance set ftp-control-port <i><port number></i>
-------------------------------	---

Allowing Access to Load Balancing Servers

Load balancing causes both source and destination addresses to be translated on the XP. It may be undesirable in some cases for a source address to be translated; for example, when data is to be updated on an individual server. Specified hosts can be allowed to directly access servers in the load balancing group without address translation. Note, however, that such hosts cannot use the virtual IP address and port number to access the load balancing group of servers.

To allow specified hosts to access the load balancing servers without address translation, enter the following command in Configure mode:

Specify the hosts that can access servers without address translation.	load-balance allow access-to-servers client-ip <i><ipaddr/range></i> group-name <i><group name></i>
--	--

Setting Timeouts for Load Balancing Mappings

A mapping between a host (source) and a load-balancing server (destination) times out after a certain period. After the mapping times out, any server in the load balancing group can be selected. The default timeouts depend upon the session persistence level configured when the load balance group is created. You can specify the timeout for source-destination load balancing mappings.

To specify the timeout for load balancing mappings, enter the following command in Configure mode:

Specify the timeout for source-destination mappings.	load-balance set aging-for-src-maps <i><string></i> aging-time <i><timer></i>
--	---

Displaying Load Balancing Information

To display load balancing information, enter the following commands in Enable mode:

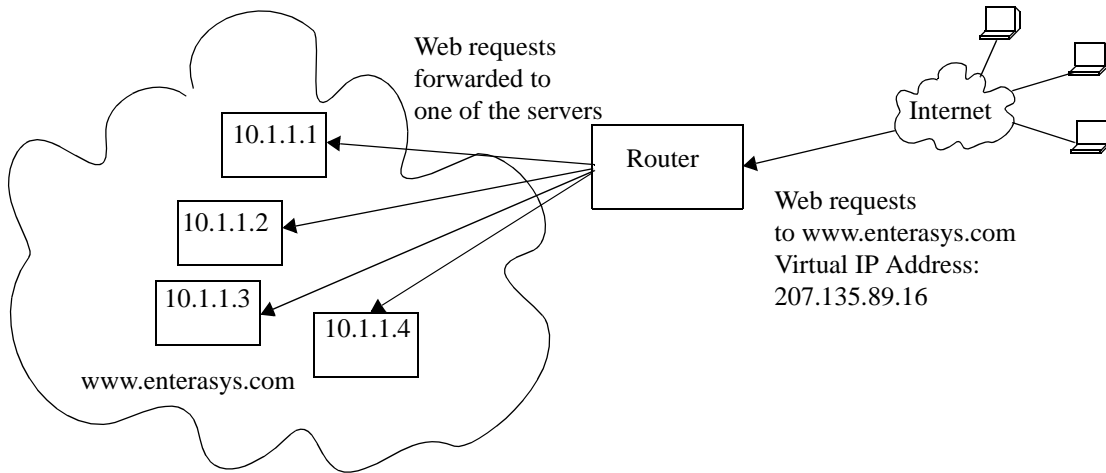
Show the groups of load balancing servers.	load-balance show virtual-hosts [group-name <i><group name></i>][virtual-ip <i><ipaddr></i>][virtual-port <i><port number></i>]
Show source-destination bindings.	load-balance show source-mappings [client-ip <i><ipaddr/range></i>][virtual-ip <i><ipaddr></i>][virtual-port <i><port number></i>] [destination-host-ip <i><ipaddr></i>]
Show load balancing statistics.	load-balance show statistics [group-name <i><group name></i>][virtual-ip <i><ipaddr></i>] [virtual-port <i><port number></i>]
Show load balance hash table statistics.	load-balance show hash-stats
Show load balance options for verifying the application.	load-balance show acv-options [group-name <i><group name></i>][destination-host-ip <i><virtual-ipaddr></i>][destination-host-port <i><virtual-port-number></i>]

Configuration Examples

This section shows examples of load balancing configurations.

Web Hosting with One Virtual Group and Multiple Destination Servers

In the following example, a company web site is established with a URL of `www.enterasys.com`. The system administrator configures the networks so that the XP forwards web requests among four separate servers, as shown below.



Domain Name	Virtual IP	TCP Port	Real Server IP	TCP Port
www.enterasys.com	207.135.89.16	80	10.1.1.1	80
			10.1.1.2	80
			10.1.1.3	80
			10.1.1.4	80

The network shown above can be created with the following load-balance commands:

```
load-balance create group-name enterasys-www virtual-ip 207.135.89.16 virtual-port 80 protocol tcp
load-balance add host-to-group 10.1.1.1-10.1.1.4 group-name enterasys-www port 80
```

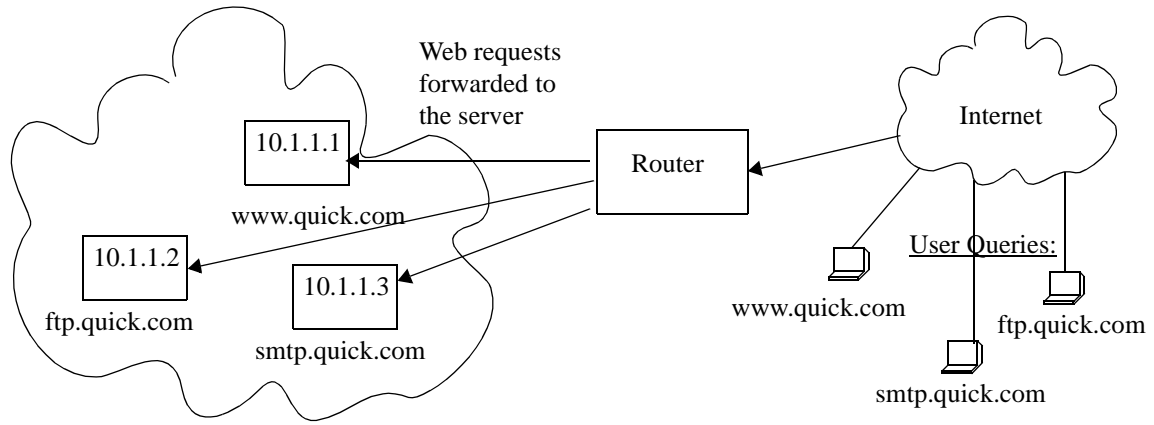
The following is an example of how to configure a simple verification check where the XP will issue an HTTP command to retrieve an HTML page and check for the string "OK":

```
load-balance set group-options enterasys-www acv-command "GET /test.html" acv-reply "OK" read-till-index 25
```

The **read-till-index** option is not necessary if the file `test.html` contains "OK" as the first two characters. The **read-till-index** option is helpful if the exact index of the **acv-reply** string in the file is not known to the user. In the above example, the XP will search from the beginning of the file up to the 25th character for the start of the string "OK."

Web Hosting with Multiple Virtual Groups and Multiple Destination Servers

In the following example, three different servers are used to provide different services for a site.



Domain Name	Virtual IP	TCP Port	Real Server IP	TCP Port
www.quick.com	207.135.89.16	80	10.1.1.1	80
ftp.quick.com	207.135.89.16	21	10.1.1.2	21
smtp.quick.com	207.135.89.16	25	10.1.1.3	25

The network shown above can be created with the following load-balance commands:

```
load-balance create group-name quick-www virtual-ip 207.135.89.16 virtual-port 80 protocol tcp
load-balance create group-name quick-ftp virtual-ip 207.135.89.16 virtual-port 21 protocol tcp
load-balance create group-name quick-smtp virtual-ip 207.135.89.16 virtual-port 25 protocol tcp
load-balance add host-to-group 10.1.1.1 group-name quick-www port 80
load-balance add host-to-group 10.1.1.2 group-name quick-ftp port 21
load-balance add host-to-group 10.1.1.3 group-name quick-smtp port 25
```

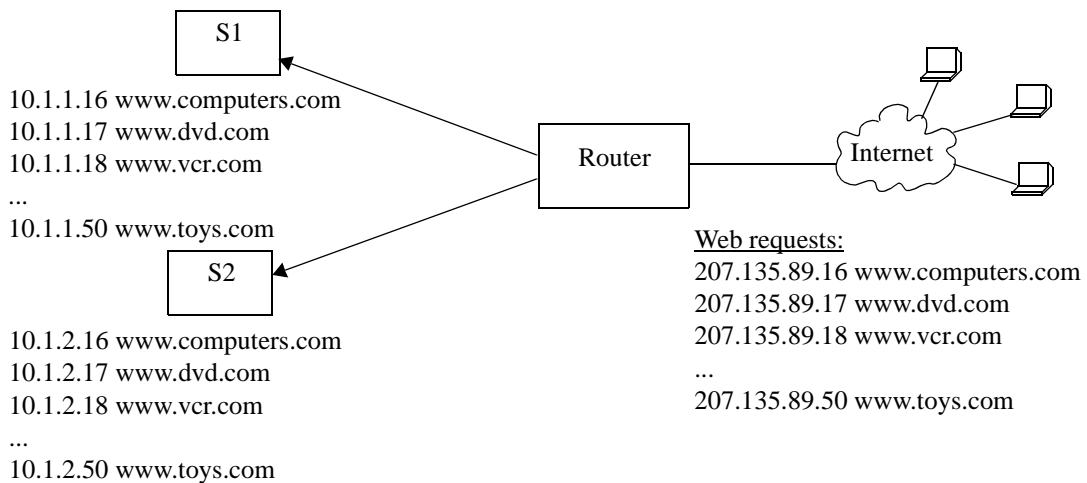
If no application verification options are specified, the XP will do a simple TCP handshake to check that the application is “up.” Some applications require specific commands for proper closure of the connection. The following command shows an example of how to send a specific string to close a connection on a server:

```
load-balance set group-options quick-smtp acv-quit “quit”
```

Virtual IP Address Ranges

ISPs who provide web hosting services for their clients require a large number of virtual IP addresses (VIPs). The **load-balance create vip-range-name** and **load-balance add host-to-vip-**

range commands were created specifically for this. An ISP can create a range of VIPs for up to an entire class C network with the **load-balance create vip-range-name** command. Once the vip-range is in place, the ISP can then create the corresponding secondary addresses on their destination servers. Once these addresses have been created, the ISP can add these servers to the vip-range with the **load-balance add host-to-vip-range** command. These two commands combined help ISPs take advantage of web servers like Apache which serve different web pages based on the destination address in the http request. The following example illustrates this:



Group Name	Virtual IP	TCP Port	Destination Server IP	TCP Port
www.computers.com	207.135.89.16	80	S1: 10.1.1.16 S2: 10.1.2.16	80
www.dvd.com	207.135.89.17	80	S1: 10.1.1.17 S2: 10.1.2.17	80
www.vcr.com	207.135.89.18	80	S1: 10.1.1.18 S2: 10.1.2.18	80
www.toys.com	207.135.89.50	80	S1: 10.1.1.50 S2: 10.1.2.50	80

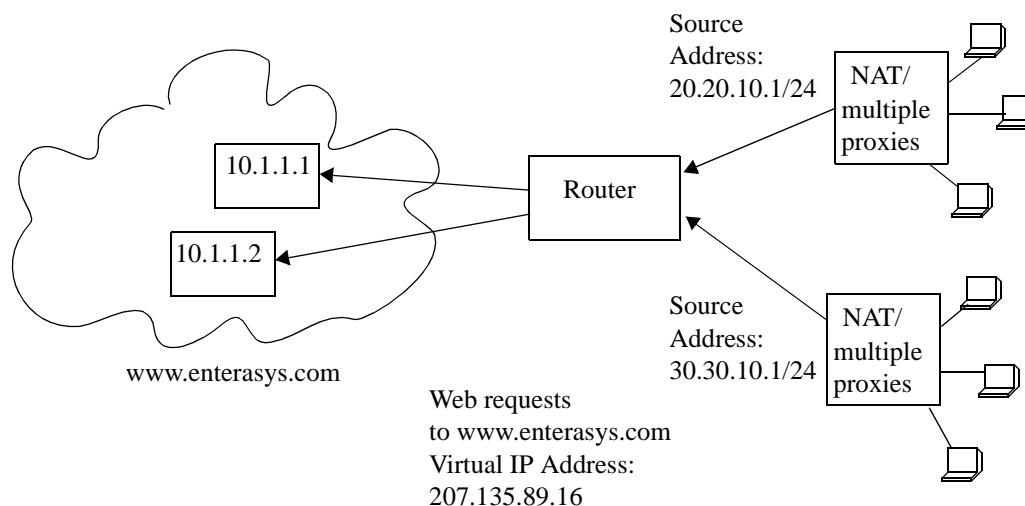
The network shown in the previous example can be created with the following load-balance commands:

```
load-balance create vip-range-name mywwwrange 207.135.89.16-207.135.89.50 virtual-port 80 protocol tcp
load-balance add host-to-vip-range 10.1.1.16-10.1.1.50 vip-range-name mywwwrange port 80
load-balance add host-to-vip-range 10.1.2.16-10.1.2.50 vip-range-name mywwwrange port 80
```

Session and Netmask Persistence

In the following example, traffic to a company web site (www.enterasys.com) is distributed between two separate servers. In addition, client traffic will have two separate ranges of source IP

addresses. The same load balancing server will handle requests from clients of the same source IP subnet address.



Client IP Address	Domain Name	Virtual IP	Real Server IP	TCP Port
20.20.10.1 - 20.20.10.254	www.enterasys.com	207.135.89.16	10.1.1.1	80
30.30.10.1 - 30.30.10.254			10.1.1.2	80

The network shown above can be created with the following load-balance commands:

```
load-balance create group-name enterasys-sec virtual-ip 207.135.89.16 protocol tcp persistence-level ssl virtual-port 443
load-balance add host-to-group 10.1.1.1-10.1.1.2 group-name enterasys-sec port 443
load-balance set client-proxy-subnet enterasys-sec subnet 24
```

Web Caching

Web caching provides a way to store frequently accessed Web objects on a cache of local servers. Each HTTP request is transparently redirected by the XP to a configured cache server. When a user first accesses a Web object, that object is stored on a cache server. Each subsequent request for the object uses this cached object. Web caching allows multiple users to access Web objects stored on local servers with a much faster response time than accessing the same objects over a WAN connection. This can also result in substantial cost savings by reducing the WAN bandwidth usage.

Note: The XP itself does not act as cache for web objects. It redirects HTTP requests to local servers on which the web objects are cached. One or more local servers are needed to work as cache servers with the XP's web caching function.

Configuring Web Caching

The following are the steps in configuring Web caching on the XP:

1. Create the cache group (a list of cache servers) to cache Web objects.
2. Specify the hosts whose HTTP requests will be redirected to the cache servers. This step is optional; if you do not explicitly define these hosts, then *all* HTTP requests are redirected.
3. Apply the caching policy to an outbound interface to redirect HTTP traffic on that interface to the cache servers.

Creating the Cache Group

You can specify either a range of contiguous IP addresses or a list of up to four IP addresses to define the servers when the cache group is created. If you specify multiple servers, load balancing is based on the destination address of the request. If any cache server fails, traffic is redirected to the other active servers.

To create the cache group, enter the following command in Configure mode:

Create the cache group.	web-cache <cache-name> create server-list <server-list-name> range <ipaddr-range> list <ipaddr-list>
-------------------------	---

Note: If a range of IP addresses is specified, the range must be contiguous and contain no more than 256 IP addresses.

Specifying the Client(s) for the Cache Group (Optional)

You can explicitly specify the hosts whose HTTP requests are or are not redirected to the cache servers. If you do not explicitly specify these hosts, then *all* HTTP requests are redirected to the cache servers.

To specify the clients or non-clients for the cache group, enter the following commands in Configure mode:

Define hosts whose requests are redirected to cache servers.	web-cache <cache-name> permit hosts range <ipaddr-range> list <ipaddr-list> acl <acl-name>
Define hosts whose requests are <i>not</i> redirected to cache servers.	web-cache <cache-name> deny hosts range <ipaddr-range> list <ipaddr-list> acl <acl-name>

Redirecting HTTP Traffic on an Interface

To start the redirection of HTTP requests to the cache servers, you need to apply a caching policy to a specific outbound interface. This interface is typically an interface that connects to the Internet.

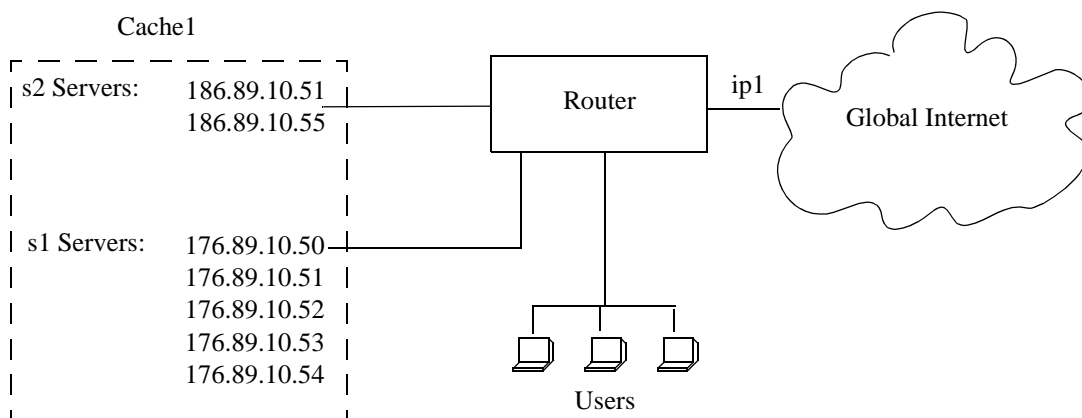
Note: By default, the XP redirects HTTP requests on port 80. Secure HTTP (https) requests do not run on port 80, therefore these types of requests are not redirected by the XP.

To redirect outbound HTTP traffic to the cache servers, enter the following command in Configure mode:

Apply caching policy to outbound interface.	web-cache <cache-name> apply interface <interface-name>
---	---

Configuration Example

In the following example, a cache group of seven local servers is configured to store Web objects for users in the local network:



The following commands configure the cache group 'cache1' that contains the servers shown in the figure above and applies the caching policy to the interface 'ip1':

```
xp(config)# web-cache cache1 create server-list s1 range "176.89.10.50 176.89.10.54"
xp(config)# web-cache cache1 create server-list s2 list "186.89.10.51 186.89.10.55"
xp(config)# web-cache cache1 apply interface ip1
```

Note that in this example, HTTP requests from *all* hosts in the network are redirected as there are no **web-cache permit** or **web-cache deny** commands.

Other Configurations

This section discusses other commands that may be useful in configuring Web caching in your network.

Bypassing Cache Servers

Some Web sites require source IP address authentication for user access, therefore HTTP requests for these sites *cannot* be redirected to the cache servers. To specify the sites for which HTTP requests are not redirected to the cache servers, enter the following command in Configure mode:

Define destination sites to which HTTP requests are sent directly.	web-cache <cache-name> create bypass-list range <ipaddr-range> list <ipaddr-list> acl <acl-name>
--	--

Proxy Server Redundancy

Some networks use proxy servers that receive HTTP requests on a non-standard port number (i.e., not port 80). When the proxy server is available, all HTTP requests are handled by the proxy server. The XP can provide proxy server redundancy by transparently redirecting HTTP connections to the cache servers should the proxy server fail. To achieve this, the XP must be configured to redirect HTTP requests on the (non-standard) HTTP port used by the proxy server.

To redirect HTTP requests to a non-standard HTTP port number, enter the following command in Configure mode:

Specify non-standard HTTP port.	web-cache <cache-name> set http-port <port number>
---------------------------------	--

Distributing Frequently-Accessed Sites Across Cache Servers

The XP uses the destination IP address of the HTTP request to determine which cache server to send the request. However, if there is a Web site that is being accessed very frequently, the cache server serving requests for this destination address may become overloaded with user requests. You can specify that certain destination addresses be distributed across the cache servers in a round-robin manner.

To distribute a specified destination address across cache servers, enter the following command in Configure mode:

Distribute destination address across cache servers.	web-cache <cache-name> set round-robin range <ipaddr-range> list <ipaddr-list>
--	--

Monitoring Web-Caching

To display Web-caching information, enter the following commands in Enable mode.

Show information for all caching policies and all server lists.	web-cache show all
Show caching policy information.	web-cache show cache-name <cache-name> all
Show cache server information.	web-cache show servers cache <cache-name> all

Chapter 21

IPX Routing Configuration Guide

IPX Routing Overview

The Internetwork Packet Exchange (IPX) is a datagram connectionless protocol for the Novell NetWare environment. You can configure the XP for IPX routing and SAP. Routers interconnect different network segments and by definition are network layer devices. Thus routers receive their instructions for forwarding a packet from one segment to another from a network layer protocol. IPX, with the help of RIP and SAP, perform these Network Layer Task. These tasks include addressing, routing, and switching information packets from one location to another on the internetwork.

IPX defines internetwork and intranode addressing schemes. IPX internetwork addressing is based on network numbers assigned to each network segment on a Novell NetWare internetwork. The IPX intranode address comes in the form of socket numbers. Because several processes are normally operating within a node, socket numbers provide a way for each process to distinguish itself.

The IPX packet consists of two parts: a 30-byte header and a data portion. The network node and socket addresses for both the destination and source are held within the IPX header.

RIP (Routing Information Protocol)

IPX routers use RIP to create and dynamically maintain a database of internetwork routing information. RIP allows a router to exchange routing information with a neighboring router. As a router becomes aware of any change in the internetwork layout, this information is immediately broadcast to any neighboring routers. Routers also send periodic RIP broadcast packets containing all routing information known to the router.

The XP uses IPX RIP to create and maintain a database of internetwork routing information. The XP's implementation of RIP allows the following exchanges of information:

- Workstations locate the fastest route to a network number by broadcasting a route request.
- Routers request routing information from other routers to update their own internal tables by broadcasting a route request.
- Routers respond to route requests from workstations and other routers.
- Routers perform periodic broadcasts to make sure that all other routers are aware of the internetwork configuration.
- Routers perform broadcasting whenever they detect a change in the internetwork configurations.

XP's RIP implementation follows the guidelines given in Novell's *IPX RIP and SAP Router Specification Version 1.30* document.

SAP (Service Advertising Protocol)

SAP provides routers with a means of exchanging internetwork service information. Through SAP, servers advertise their services and addresses. Routers gather this information and share it with other routers. This allows routers to create and dynamically maintain a database of internetwork service information. SAP allows a router to exchange information with a neighboring SAP agent. As a router becomes aware of any change in the internetwork server layout, this information is immediately broadcast to any neighboring SAP agents. SAP broadcast packets containing all server information known to the router are also sent periodically.

The XP uses IPX SAP to create and maintain a database of internetwork service information. The XP's implementation of SAP allows the following exchanges of information:

- Workstations locate the name and address of the nearest server of certain type
- Routers request the names and addresses of either all or certain type of servers
- Servers respond to the workstation's or router's request
- Routers make periodic broadcasts to make sure all other routers are aware of the internetwork configuration
- Routers perform broadcasting whenever they detect a change in the internetwork configurations

Configuring IPX RIP & SAP

This section provides an overview of configuring various IPX parameters and setting up IPX interfaces.

IPX RIP

On the XP, RIP automatically runs on all IPX interfaces. The XP will keep multiple routes to the same network having the lowest ticks and hop count. Static routes can be configured on the XP using the CLI's **ipx add route** command. Through the use of RIP filters, the XP can control the acceptance and advertisement of networks per-interface.

IPX SAP

On the XP, SAP automatically runs on all the IPX interfaces. The XP will keep multiple SAPs having the lowest hop count. Static SAPs can be configured on the XP using the CLI's **ipx add sap** command. Through the use of SAP filters, the XP can control the acceptance and advertisements of services per-interface.

Creating IPX Interfaces

When you create IPX interfaces on the XP, you provide information about the interface (such as its name, output MAC encapsulation, and IPX address). You also enable or disable the interface and bind the interface to a single port or VLAN.

Note: The XP supports a maximum of 64 IPX interfaces.

Note: Interfaces bound to a single port go down when the port goes down but interfaces bound to a VLAN remain up as long as at least one port in that VLAN remains active.

The procedure for creating an IPX interface depends on whether you are binding that interface to a single port or a VLAN. Separate discussions on the different procedures follow.

Note: You cannot assign IPX interfaces for LAN and WAN to the same VLAN. In order for these two types of IPX interfaces to coexist on the XP, each type must be assigned to different VLANs.

IPX Addresses

The IPX address is a 12-byte number divided into three parts. The first part is the 4-byte (8-character) IPX external network number. The second part is the 6-byte (12-character) node number. The third part is the 2-byte (4-character) socket number.

Configuring IPX Interfaces and Parameters

This section provides an overview of configuring various IPX parameters and setting up IPX interfaces.

Configuring IPX Addresses to Ports

You can configure one IPX interface directly to a physical port. To configure an IPX interface to a port, enter the following command in Configure mode:

Configure an IPX interface to a physical port.	interface create ipx <i><InterfaceName></i> address-mask <i><ipxAddr-mask></i> port <i><port></i>
--	--

Configuring Secondary Addresses on an IPX Interface

You can configure secondary addresses on an IPX interface.

To configure a secondary address on an IPX interface, enter the following command in Configure mode:

Add a secondary address and encapsulation type to an existing IPX interface.	interface add ipx <i><Interface Name></i> address <i><IPX-network-address></i> output-mac-encapsulation <i><encapsulation-type></i>
--	--

Note: Configuring a secondary address on an IPX interface requires updated XP hardware.

Configuring IPX Interfaces for a VLAN

You can configure one IPX interface per VLAN. To configure a VLAN with an IPX interface, enter the following command in Configure mode:

Create an IPX interface for a VLAN.	interface create ipx <i><InterfaceName></i> address-mask <i><ipxAddr-mask></i> vlan <i><name></i>
-------------------------------------	--

Note: A VLAN containing both LAN and WAN ports will not support interfaces configured with IPX.

Specifying IPX Encapsulation Method

The Enterasys X-Pedition supports four encapsulation types for IPX. You can configure encapsulation type on a per-interface basis.

- Ethernet II: The standard ARPA Ethernet Version 2.0 encapsulation, which uses a 16-bit protocol type code (the default encapsulation method)
- 802.3 SNAP: SNAP IEEE 802.3 encapsulation, in which the type code becomes the frame length for the IEEE 802.2 LLC encapsulation (destination and source Service Access Points, and a control byte)
- 802.3: 802.3 encapsulation method used within Novell IPX environments
- 802.2: 802.2 encapsulation method used within Novell IPX environments

To configure IPX encapsulation, enter the following commands in Configure mode:

Configure Ethernet II encapsulation.	interface create ipx <Interface Name> output-mac-encapsulation ethernet_II
Configure 802.3 SNAP encapsulation.	interface create ipx <Interface Name> output-mac-encapsulation ethernet_snap
Configure 802.3 IPX encapsulation.	interface create ipx <Interface Name> output-mac-encapsulation ethernet_802.3
Configure 802.2 IPX encapsulation.	interface create ipx <Interface Name> output-mac-encapsulation ethernet_802.2_ipx

Configuring IPX Routing

By default, IPX routing is enabled on the XP.

Enabling IPX RIP

IPX RIP is enabled by default on the XP. You must first create an IPX interface or assign an IPX interface to a VLAN before RIP will start learning routes.

Enabling SAP

IPX SAP is enabled by default on the XP. You must first create an IPX interface or assign an IPX interface to a VLAN before SAP will start learning services.

Configuring Static Routes

In a Novell NetWare network, the XP uses RIP to determine the best paths for routing IPX. However, you can add static RIP routes to RIP routing table to explicitly specify a route.

To add a static RIP route, enter the following command in Configure mode:

Add a static RIP route.	ipx add route <networkaddr> <nextrouter or network node> <metric> <ticks>
-------------------------	---

Configuring Static SAP Table Entries

Servers in an IPX network use SAP to advertise services via broadcast packets. Services from servers are stored in the Server Information Table. If you want to have a service explicitly advertised with different hops, you will need to configure a static entry.

To add an entry into the Server Information Table, enter the following command in Configure mode:

Add a SAP table entry.	ipx add sap <service type> <SrcName> <node> <socket> <metric> <interface-network>
------------------------	---

Controlling Access to IPX Networks

To control access to IPX networks, you create access control lists and then apply them with filters to individual interfaces. The XP supports the following IPX access lists that you can use to filter various kinds of traffic:

- IPX access control list: Restrict traffic based on the source address, destination address, source socket, destination socket, source network mask or destination network mask.
- SAP access control list: Restricts advertisements or learning of SAP services. These lists are used for SAP filters. They can also be used for Get Nearest Server (GNS) replies.
- RIP access control list: Restricts advertisements or learning of networks.

Creating an IPX Access Control List

IPX access control lists control which IPX traffic is received from or sent to an interface based on source address, destination address, source socket, destination socket, source network mask or destination network mask. This is used to permit or deny traffic from one IPX end node to another.

To create an IPX access control list, perform the following task in the Configure mode:

Create an IPX access control list.	acl <name> permit deny ipx <SrcNetwork Node> <DstNetworkNode> <SrcSocket> <SrcNetMask> <DstSocket> <DstNetMask>
------------------------------------	--

Once an IPX access control list has been created, you must apply the access control list to an IPX interface. To apply an IPX access control list, enter the following command in Configure mode:

Apply an IPX access control list.	acl <i><name></i> apply interface <i><Interface Name></i> input output [logging [on off]]
-----------------------------------	---

Creating an IPX Type 20 Access Control List

IPX type 20 access control lists control the forwarding of IPX type 20 packets. To create an IPX type 20 access control list, enter the following command in Configure mode:

Create an IPX type 20 access control list.	acl <i><name></i> permit deny ipxtype20
--	---

Creating an IPX SAP Access Control List

IPX SAP access control lists control which SAP services are available on a server. To create an IPX SAP access control list, enter the following command in Configure mode:

Create an IPX SAP access control list.	acl <i><name></i> permit deny ipxsap <i><ServerNetworkNode></i> <i><ServiceType></i> <i><ServiceName></i>
--	---

Once an IPX SAP access control list has been created, you must apply the access control list to an IPX interface. To apply an IPX SAP access control list, enter the following command in Configure mode:

Apply an IPX SAP access control list.	acl <i><name></i> apply interface <i><InterfaceName></i> input output [logging [on off]]
---------------------------------------	---

Creating an IPX GNS Access Control List

IPX GNS access control lists control which SAP services the XP can reply with to a get nearest server (GNS) request. To create an IPX GNS access control list, enter the following command in Configure mode:

Create an IPX GNS access control list.	acl <i><name></i> permit deny ipxgns <i><ServerNetworkNode></i> <i><ServiceType></i> <i><ServiceName></i>
--	---

Once an IPX GNS access control list has been created, you must apply the access control list to an IPX interface. To apply an IPX GNS access control list, enter the following command in Configure mode:

Apply an IPX GNS access control list.	acl <name> apply interface <InterfaceName> output [logging [on off]]
---------------------------------------	---

Creating an IPX RIP Access Control List

IPX RIP access control lists control which RIP updates are allowed. To create an IPX RIP access control list, perform the following task in the Configure mode:

Create an IPX RIP access control list.	acl <name> permit deny ipxrip <FromNetwork> <ToNetwork>
--	--

Once an IPX RIP access control list has been created, you must apply the access control list to an IPX interface. To apply an IPX RIP access control list, enter the following command in Configure mode:

Apply an IPX RIP access control list.	acl <name> apply interface <Interface Name> input output [logging [on off]]
---------------------------------------	--

Monitoring an IPX Network

The XP reports IPX interface information and RIP or SAP routing information.

To display IPX information, enter the following command in Enable mode:

Show a RIP entry in the IPX RIP table.	ipx find rip <DstNetwork>
Show a SAP entry in the IPX SAP table.	ipx find sap <type> <ServiceType> <ServiceName> <ServerNetwork>
Show IPX interface information.	ipx show interfaces <interface-name>
Show IPX RIP table.	ipx show tables rip
Show IPX routing table.	ipx show tables routing
Show IPX SAP table.	ipx show tables sap
Show IPX RIP/SAP table summary.	ipx show tables summary

Configuration Examples

This example performs the following configuration:

- Creates IPX interfaces

Note: The XP supports a maximum of 64 IPX interfaces.

- Adds static RIP routes
- Adds static SAP entries
- Adds a RIP access list
- Adds a SAP access list
- Adds a GNS access list

```
! Create interface ipx1 with ipx address AAAAAAAAA
interface create ipx ipx1 address AAAAAAAAA port et.1.1 output-mac-encapsulation ethernet_802.2_IPX
!
! Create interface ipx2 with ipx addressBBBBBBBBB
interface create ipx ipx2 addressBBBBBBBBB port et.1.2 output-mac-encapsulation ethernet_802.3
!
! Add secondary address on interface ipx2 with ipx address CCCCCCCC
interface add ipx ipx2 address CCCCCCCC output-mac-encapsulation ethernet_II
!
!Add static route to network 9
ipx add route 9BBBBBBBBB.01:02:03:04:05:06 1 1
!
!Add static sap
```

```
ipx add sap 0004 FILESERVER1 9.03:04:05:06:07:08 452 1 AAAAAAAA
!
!RIP Access List
acl 100 deny ipxrip 1 2
!
!RIP inbound filter
acl 100 apply interface ipx1 input
!
!SAP Access List
acl 200 deny ipxsap A.01:03:05:07:02:03 0004 FILESERVER2
!
!SAP outbound filter to interface ipx2
acl 200 apply interface ipx2 output
!
!IPX type 20 access list
acl 300 deny ipxtype20
!
!IPX type 20 inbound filter to interface ipx2
acl 300 apply interface ipx2 input
!
!GNS Access List
acl 300 deny ipxgns A.01:03:05:07:02:03 0004 FILESERVER2
acl 200 apply interface ipx2 output
```

Chapter 22

Access Control List Configuration Guide

This chapter explains how to configure and use Access Control Lists (ACLs) on the XP. ACLs are lists of selection criteria for specific types of packets. When used in conjunction with certain XP functions, ACLs allow you to restrict Layer-3/4 traffic going through the router.

This chapter contains the following sections:

- *ACL Basics* [on page 286](#) explains how ACLs are defined and how the XP evaluates them.
- *Creating and Modifying ACLs* [on page 290](#) describes how to edit ACLs, either remotely or by using the XP's built-in ACL Editor function.
- *Using ACLs* [on page 292](#) describes the different kinds of ACLs: Interface ACLs, Service ACLs, Layer-4 Bridging ACLs, and Profile ACLs, and gives examples of their usage.
- *Enabling ACL Logging* [on page 299](#) explains how to log information about packets that are permitted or denied because of an ACL.
- *Monitoring ACLs* [on page 299](#) lists the commands you can use to display information about ACLs active on the XP.

ACL Basics

An ACL consists of one or more *rules* describing a particular type of IP or IPX traffic. ACLs can be simple, consisting of only one rule, or complicated with many rules. Each rule tells the XP to either permit or deny packets that match selection criteria specified in the rule.

Each ACL is identified by a name. The name can be a meaningful string, such as *denyftp* or *noweb* or it can be a number such as *100* or *101*.

For example, the following ACL has a rule that permits all IP packets from subnet 10.2.0.0/16 to go through the XP:

```
acl 101 permit ip 10.2.0.0/16
```

Defining Selection Criteria in ACL Rules

Selection criteria in the rule describe characteristics about a packet. In the example above, the selection criteria are IP packets from 10.2.0.0/16.

The selection criteria you can specify in an ACL rule depends on the type of ACL you are creating. For IP, TCP, and UDP ACLs, the following selection criteria can be specified:

- Source IP address
- Destination IP address
- Source port number
- Destination port number
- Type of Service (TOS)

For IPX ACLs, the following selection criteria can be specified:

- Source network address
- Destination network address
- Source IPX socket
- Destination IPX socket

These selection criteria are specified as *fields* of an ACL rule. The following syntax description shows the fields of an IP ACL rule:

```
acl <name> permit|deny ip <SrcAddr/Mask> <DstAddr/Mask> <SrcPort> <DstPort> <tos> <tos-mask> [accounting]
```

Note: The **acl permit|deny ip** command restricts traffic for all IP-based protocols, such as TCP, UDP, ICMP, and IGMP. Variants of the **acl permit|deny ip** command exist that allow you

to restrict traffic for a specific IP-based protocol; for example, the **acl permit|deny tcp command** lets you restrict only TCP traffic. These variants have the same syntax and fields as the **acl permit|deny ip** command.

The following syntax description shows the fields of an IPX ACL rule:

```
acl <name> permit|deny ipx <SrcAddr> <SrcSocket> <DstAddr> <DstSocket> <SrcNetMask> <DstNetMask>
```

Each field in an ACL rule is position sensitive. For example, for a rule for TCP traffic, the source address must be followed by the destination address, followed by the source socket and the destination socket, and so on.

Not all fields of an ACL rule need to be specified. If a particular field is not specified, it is treated as a wildcard or “don't care” condition. However, if a field is specified, that particular field will be matched against the packet. Each protocol can have a number of different fields to match. For example, a rule for TCP can use socket port numbers, while a rule for IPX can use a network node address.

Since each field is position sensitive, it may be necessary to “skip” some fields in order to specify a value for another field. To skip a field, use the keyword **any**. For example, the following ACL rule denies SMTP traffic between any two hosts:

```
acl nosmtp deny tcp any any smtp smtp
```

Note that in the above example, the *<tos>* (Type of Service) field is not specified and is treated as a wildcard. The **any** keyword is needed only to skip a wildcard field in order to explicitly specify another field that is further down in the rule. If there are no other fields to specify, the **any** keyword is not necessary. For example, the following ACL permits all IP traffic to go through:

```
acl yesip permit ip
```

How ACL Rules are Evaluated

For an ACL with multiple rules, the ordering of the rules is important. When the XP checks a packet against an ACL, it goes through each rule in the ACL sequentially. If a packet matches a rule, it is forwarded or dropped based on the **permit** or **deny** keyword in the rule. All subsequent rules are ignored. That is, a first-match algorithm is used. There is no hidden or implied ordering of ACL rules, nor is there precedence attached to each field. The XP simply goes down the list, one rule at a time, until there is a match. Consequently, rules that are more specific (that is, with more selection criteria) should always be listed ahead of rules that are less specific. For example, the following ACL permits all TCP traffic except those from subnet 10.2.0.0/16:

```
acl 101 deny tcp 10.2.0.0/16 any any any
acl 101 permit tcp any any any any
```

When a TCP packet comes from subnet 10.2.0.0/16, it finds a match with the first rule. This causes the packet to be dropped. A TCP packet coming from other subnets does not match the first rule. Instead, it matches the second rule, which allows the packet to go through.

If you were to reverse the order of the two rules:

```
acl 101 permit tcp any any any any
acl 101 deny tcp 10.2.0.0/16 any any any
```

all TCP packets would be allowed to go through, including traffic from subnet 10.2.0.0/16. This is because TCP traffic coming from 10.2.0.0/16 would match the first rule and be allowed to go through. The second rule would not be looked at since the first match determines the action taken on the packet.

Implicit Deny Rule

At the end of each ACL, the system automatically appends an *implicit deny rule*. This implicit deny rule denies all traffic. For a packet that doesn't match any of the user-specified rules, the implicit deny rule acts as a catch-all rule. All packets match this rule.

This is done for security reasons. If an ACL is misconfigured, and a packet that should be allowed to go through is blocked because of the implicit deny rule, the worst that could happen is inconvenience. On the other hand, if a packet that should not be allowed to go through is instead sent through, there is now a security breach. Thus, the implicit deny rule serves as a line of defense against accidental misconfiguration of ACLs.

To illustrate how the implicit deny rule is used, consider the following ACL:

```
acl 101 permit ip 1.2.3.4/24
acl 101 permit ip 4.3.2.1/24 any nntp
```

With the implicit deny rule, this ACL actually has three rules:

```
acl 101 permit ip 1.2.3.4/24 any any any
acl 101 permit ip 4.3.2.1/24 any nntp any
acl 101 deny any any any any any
```

If a packet comes in and doesn't match the first two rules, the packet is dropped. This is because the third rule (the implicit deny rule) matches all packets.

Although the implicit deny rule may seem obvious in the above example, this is not always the case. For example, consider the following ACL rule:

```
acl 102 deny ip 10.1.20.0/24 any any any
```

If a packet comes in from a network other than 10.1.20.0/24, you might expect the packet to go through because it doesn't match the first rule. However, that is not the case because of the implicit deny rule. With the implicit deny rule attached, the rule looks like this:

```
acl 102 deny ip 10.1.20.0/24 any any any
acl 102 deny any any any any any
```

A packet coming from 10.1.20.0/24 would not match the first rule, but would match the implicit deny rule. As a result, no packets would be allowed to go through. The first rule is simply a subset of the second rule. To allow packets from subnets other than 10.1.20.0/24 to go through, you would have to explicitly define a rule to permit other packets to go through.

To correct the above example and let packets from other subnets enter the XP, you must add a new rule to permit packets to go through:

```
acl 101 deny ip 10.1.20.0/24 any any any
acl 101 permit ip
acl 101 deny any any any any any
```

The second rule forwards all packets that are not denied by the first rule.

Because of the implicit deny rule, an ACL works similarly to a firewall that is elected to deny all traffic. You create ACL rules that punch "holes" into the firewall to permit specific types of traffic; for example, traffic from a specific subnet or traffic from a specific application.

Allowing External Responses to Established TCP Connections

Typically organizations that are connected to the outside world implement ACLs to deny access to the internal network. If an internal user wishes to connect to the outside world, the request is sent; however any incoming replies may be denied because ACLs prevent them from going through. To allow external responses to internally generated requests, you would have to create an ACL to allow responses from each specific outside host. If the number of outside hosts that internal users need to access is large or changes frequently, this can be difficult to maintain.

To address this problem, the XP can be configured to accept outside TCP responses into the internal network, provided that the TCP connection was initiated internally. Otherwise, it will be rejected. To do this, enter the following command in Configure Mode:

Allow TCP responses from external hosts, provided the connection was established internally.	acl <name> permit tcp established
--	--

Note: The ports that are associated with the interface to which the ACL is applied must reside on updated XP hardware.

The following ACL illustrates this feature:

```
acl 101 permit tcp established
acl 101 apply interface int1 input
```

Any incoming TCP packet on interface int1 is examined, and if the packet is in response to an internal request, it is permitted; otherwise, it is rejected. Note that the ACL contains no restriction for outgoing packets on interface int1, since internal hosts are allowed to access the outside world.

Creating and Modifying ACLs

The XP provides two mechanisms for creating and modifying ACLs:

- Editing ACLs on a remote host and uploading them to the XP using TFTP or RCP
- Using the XP's ACL Editor

The following sections describe these methods.

Editing ACLs Offline

You can create and edit ACLs on a remote host and then upload them to the XP with TFTP or RCP. With this method, you use a text editor on a remote host to edit, delete, replace, or reorder ACL rules in a file. Once the changes are made, you can then upload the ACLs to the XP using TFTP or RCP and make them take effect on the running system. The following example describes how you can use TFTP to help maintain ACLs on the XP.

Suppose the following ACL commands are stored in a file on some hosts:

```
no acl *
acl 101 deny tcp 10.11.0.0/16 10.12.0.0/16
acl 101 permit tcp 10.11.0.0 any
acl 101 apply interface int12 input
```

The first command, **no acl ***, negates all commands that start with the keyword, “acl”. This tells the XP to remove the application and the definition of any ACL. You can be more selective if you want to remove only ACL commands related to, for instance, ACL 101 by entering, **no acl 101 ***. The negation of all related ACL commands is important because it removes any potential confusion caused by the addition of new ACL rules to existing rules. Basically, the **no acl** command cleans up the system for the new ACL rules.

Once the negation command is executed, the second and the third commands proceed to redefine ACL 101. The final command applies the ACL to interface int12.

If the changes are accessible from a TFTP server, you can upload and make the changes take effect by issuing commands like the following:

```
xp# copy tftp://10.1.1.12/config/acl.changes to scratchpad
xp# copy scratchpad to active
```

The first **copy** command uploads the file `acl.changes` from a TFTP server and puts the commands into the temporary configuration area, the scratchpad. The administrator can re-examine the changes if necessary before committing the changes to the running system. The second **copy** command makes the changes take effect by copying from the scratchpad to the active running system.

If you need to re-order or modify the ACL rules, you must make the changes in the `acl.changes` file on the remote host, upload the changes, and make them effective again.

Maintaining ACLs Using the ACL Editor

In addition to the traditional method of maintaining ACLs using TFTP or RCP, the XP provides a simpler and more user-friendly mechanism to maintain ACLs: the ACL Editor.

The ACL Editor can only be accessed within Configure mode using the **acl-edit** command. You edit an ACL by specifying its name together with the **acl-edit** command. For example, to edit ACL

101, you issue the command **acl-edit 101**. The only restriction is that when you edit a particular ACL, you cannot add rules for a different ACL. You can only add new rules for the ACL that you are currently editing. When the editing session is over, that is, when you are done making changes to the ACL, you can save the changes and make them take effect immediately. Within the ACL editor, you can add new rules (**add** command), delete existing rules (**delete** command) and re-order the rules (**move** command). To save the changes, use the **save** command or simply exit the ACL Editor.

If you edit and save changes to an ACL that is currently being used or applied to an interface, the changes will take effect immediately. There is no need to remove the ACL from the interface before making changes and reapply it after changes are made. The process is automatic.

Using ACLs

It is important to understand that an ACL is simply a definition of packet characteristics specified in a set of rules. An ACL must be *enabled* in one of the following ways:

- Applying an ACL to an interface, which permits or denies traffic to or from the XP. ACLs used in this way are known as *Interface ACLs*.
- Applying an ACL to a service, which permits or denies access to system services provided by the XP. ACLs used in this way are known as *Service ACLs*.
- Applying an ACL to ports operating in Layer-4 bridging mode, which permits or denies bridged traffic. ACLs used in this way are known as *Layer-4 Bridging ACLs*.
- Associating an ACL with **ip-policy**, **nat**, **port mirroring**, **rate-limit**, or **web-cache** commands, which specifies the criteria that packets, addresses, or flows must meet in order to be relevant to these XP features. ACLs used in this way are known as *Profile ACLs*.

These uses of ACLs are described in the following sections.

Applying ACLs to Interfaces

An ACL can be applied to an interface to examine either inbound or outbound traffic. Inbound traffic is traffic coming into the XP. Outbound traffic is traffic going out of the XP. For each interface, only one ACL can be applied for the same protocol in the same direction. For example, you cannot apply two or more IP ACLs to the same interface in the inbound direction. You can apply two ACLs to the same interface if one is for inbound traffic and one is for outbound traffic, but not in the same direction. However, this restriction does not prevent you from specifying many rules in an ACL. You just have to put all of these rules into one ACL and apply it to an interface.

When a packet comes into the XP at an interface where an inbound ACL is applied, the XP compares the packet to the rules specified by that ACL. If it is permitted, the packet is allowed into the XP. If not, the packet is dropped. If that packet is to be forwarded to go out of another interface (that is, the packet is to be routed) then a second ACL check is possible. At the output interface, if an outbound ACL is applied, the packet will be compared to the rules specified in this outbound

ACL. Consequently, it is possible for a packet to go through two separate checks, once at the inbound interface and once more at the outbound interface.

When you apply an ACL to an interface, you can also specify whether the ACL can be modified or removed from the interface by an external agent (such as the Policy Manager application). Note that for an external agent to modify or remove an applied ACL from an interface, the **acl-policy enable external** command must be in the configuration.

In general, you should try to apply ACLs at the inbound interfaces instead of the outbound interfaces. If a packet is to be denied, you want to drop the packet as early as possible, at the inbound interface. Otherwise, the XP will have to process the packet, determine where the packet should go only to find out that the packet should be dropped at the outbound interface. In some cases, however, it may not be simple or possible for the administrator to know ahead of time that a packet should be dropped at the inbound interface. Nonetheless, for performance reasons, whenever possible, you should create and apply an ACL to the inbound interface.

To apply an ACL to an interface, enter the following command in Configure mode:

Apply ACL to an interface.	acl <name> apply interface <interface name> input/output [logging on off][deny-only permit-only][policy local external]
----------------------------	--

Applying ACLs to Services

ACLs can also be created to permit or deny access to system services provided by the XP; for example, HTTP or Telnet servers. This type of ACL is known as a *Service* ACL. By definition, a Service ACL is for controlling inbound packets to a service on specific interfaces on the router. For example, on a particular interface, you can grant Telnet server access from a few specific hosts or deny Web server access from a particular subnet. It is true that you can do the same thing with ordinary ACLs and apply them to specific interfaces. However, the Service ACL is created specifically to control access to some of the services on specified interfaces of the XP. As a result, only inbound traffic to the XP is checked.

Note: If a service does not have an ACL applied, that service is accessible to everyone. To control access to a service, an ACL must be used.

To apply an ACL to a service, enter the following command in Configure mode:

Apply ACL to a service.	acl <name> apply service <service name> [logging on off]
-------------------------	---

Applying ACLs to Layer-4 Bridging Ports

ACLs can also be created to permit or deny access to one or more ports operating in Layer-4 bridging mode. Traffic that is switched at Layer 2 through the XP can have ACLs applied on the Layer 3/4 information contained in the packet. The ACLs that are applied to Layer-4 Bridging ports

are only used with bridged traffic. The ACLs that are applied to the interface are still used for routed traffic.

Like ACLs that are applied to interfaces, ACLs that are applied to Layer 4 bridging ports can be applied to either inbound or outbound traffic. For each port, only one ACL can be applied for the inbound direction and one for the outbound direction. You can apply two ACLs to the same port if one is for inbound traffic and one is for outbound traffic.

To apply an ACL to a port, enter the following command in Configure Mode:

Apply a Layer-4 bridging ACL to a port	<code>acl <name> apply port <port-list></code>
--	--

See *Layer-4 Bridging and Filtering on page 320* for information on configuring Layer-4 Bridging on the XP.

Using ACLs as Profiles

You can use the **acl** command to define a *profile*. A profile specifies the criteria that addresses, flows, hosts, or packets must meet to be relevant to certain XP features. Once you have defined an ACL profile, you can use the profile with the configuration command for that feature. For example, the Network Address Translation (NAT) feature on the XP allows you to create address pools for dynamic bindings. You use ACL profiles to represent the appropriate pools of IP addresses.

The following XP features use ACL profiles:

XP Feature	ACL Profile Usage
IP policy	Specifies the packets that are subject to the IP routing policy.
Dynamic NAT	Defines local address pools for dynamic bindings.
Port mirroring	Defines traffic to be mirrored.
Rate limiting	Specifies the incoming traffic flow to which rate limiting is applied.
Web caching	Specifies which HTTP traffic should always (or never) be redirected to the cache servers. Specifies characteristics of Web objects that should not be cached.

Note the following about using Profile ACLs:

- Only IP ACLs can be used as Profile ACLs. ACLs for non-IP protocols *cannot* be used as Profile ACLs.
- The **permit/deny** keywords, while required in the ACL rule definition, are *disregarded* in the configuration commands for the above-mentioned features. In other words, the configuration

commands will act upon a specified Profile ACL whether or not the Profile ACL rule contains the **permit** or **deny** keyword.

- Unlike with other kinds of ACLs, there is no implicit deny rule for Profile ACLs.
- Only certain ACL rule parameters are relevant for each configuration command. For example, the configuration command to create NAT address pools for dynamic bindings (the **nat create dynamic** command) only looks at the source IP address in the specified ACL rule. The destination IP address, ports, and TOS parameters, if specified, are ignored.

Specific usage of Profile ACLs is described in more detail in the following sections.

Using Profile ACLs with the IP Policy Facility

The IP policy facility uses a Profile ACL to define criteria that determines which packets should be forwarded according to an IP policy. Packets that meet the criteria defined in the Profile ACL are forwarded according to the **ip-policy** command that references the Profile ACL.

For example, you can define an IP policy that causes all telnet packets travelling from source network 9.1.1.0/24 to destination network 15.1.1.0/24 to be forwarded to destination address 10.10.10.10. You use a Profile ACL to define the selection criteria (in this case, telnet packets travelling from source network 9.1.1.0/24 to destination network 15.1.1.0/24). Then you use an **ip-policy** command to specify what happens to packets that match the selection criteria (in this example, forward them to address 10.10.10.10). The following commands illustrate this example.

This command creates a Profile ACL called *prof1* that uses as its selection criteria all telnet packets travelling from source network 9.1.1.0/24 to destination network 15.1.1.0/24:

```
xp(config)# acl prof1 permit ip 9.1.1.0/24 15.1.1.0/24 any any telnet 0
```

This Profile ACL is then used in conjunction with the **ip-policy** command to cause packets matching *prof1*'s selection criteria (that is, telnet packets travelling from 9.1.1.0/24 to 15.1.1.0/24) to be forwarded to 10.10.10.10:

```
xp(config)# ip-policy p5 permit profile prof1 next-hop-list 10.10.10.10
```

See *IP Policy-Based Forwarding Configuration Guide* [on page 233](#) for more information on using the **ip-policy** command.

Using Profile ACLs with the Traffic Rate Limiting Facility

Traffic rate limiting is a mechanism that allows you to control bandwidth usage of incoming traffic on a per-flow basis. A flow meeting certain criteria can have its packets re-prioritized or dropped if its bandwidth usage exceeds a specified limit.

For example, you can cause packets in flows from source address 1.2.2.2 to be dropped if their bandwidth usage exceeds 10 Mbps. You use a Profile ACL to define the selection criteria (in this

case, flows from source address 1.2.2.2). Then you use a **rate-limit** command to specify what happens to packets that match the selection criteria (in this example, drop them if their bandwidth usage exceeds 10 Mbps). The following commands illustrate this example.

This command creates a Profile ACL called *prof2* that uses as its selection criteria all packets originating from source address 1.2.2.2:

```
xp(config)# acl prof2 permit ip 1.2.2.2
```

The following command creates a *rate limit definition* that causes flows matching Profile ACL *prof2*'s selection criteria (that is, traffic from 1.2.2.2) to be restricted to 10 Mbps for each flow. If this rate limit is exceeded, the packets are dropped.

```
xp(config)# rate-limit client1 input acl prof2 rate-limit 10000000 exceed-action drop-packets
```

When the rate limit definition is applied to an interface (with the **rate-limit apply interface** command), packets in flows originating from source address 1.2.2.2 are dropped if their bandwidth usage exceeds 10 Mbps.

See *Limiting Traffic Rate* on page 336 for more information on using the **rate-limit** command.

Using Profile ACLs with Dynamic NAT

Network Address Translation (NAT) allows you to map an IP address used within one network to a different IP address used within another network. NAT is often used to map addresses used in a private, local intranet to one or more addresses used in the public, global Internet.

The XP supports two kinds of NAT: *static* NAT and *dynamic* NAT. With dynamic NAT, an IP address within a range of local IP addresses is mapped to an IP address within a range of global IP addresses. For example, you can configure IP addresses on network 10.1.1.0/24 to use an IP address in the range of IP addresses in network 192.50.20.0/24. You can use a Profile ACL to define the ranges of local IP addresses.

The following command creates a Profile ACL called *local*. The local profile specifies as its selection criteria the range of IP addresses in network 10.1.1.0/24.

```
xp(config)# acl local permit ip 10.1.1.0/24
```

Note: When a Profile ACL is defined for dynamic NAT, only the source IP address field in the **acl** statement is evaluated. All other fields in the **acl** statement are ignored.

Once you have defined a Profile ACL, you can then use the **nat create dynamic** command to bind the range of IP addresses defined in the local profile to a range in network 192.50.20.0/24.

```
xp(config)# nat create dynamic local-acl-pool local global-pool 192.50.20.10/24
```

See *Network Address Translation Configuration Guide on page 245* for more information on using dynamic NAT.

Using Profile ACLs with the Port Mirroring Facility

Port mirroring refers to the XP's ability to copy traffic on one or more ports to a "mirror" port, where an external analyzer or probe can be attached. In addition to mirroring traffic on one or more ports, the XP can mirror traffic that matches selection criteria defined in a Profile ACL.

For example, you can mirror all IGMP traffic on the XP. You use a Profile ACL to define the selection criteria (in this example, all IGMP traffic). Then you use a **port mirroring** command to copy packets that match the selection criteria to a specified mirror port. The following commands illustrate this example.

This command creates a Profile ACL called *prof3* that uses as its selection criteria all IGMP traffic on the XP:

```
xp(config)# acl prof3 permit igmp
```

The following command causes packets matching Profile ACL *prof3*'s selection criteria (that is, all IGMP traffic) to be copied to mirror port *et.1.2*.

```
xp(config)# port mirroring dst-ports et.1.2 src-acl prof3
```

See *Configuring the XP for Port Mirroring on page 345* for more information on using the **port mirroring** command.

Using Profile ACLs with the Web Caching Facility

Web caching is the XP's ability to direct HTTP requests for frequently accessed Web objects to local cache servers, rather than to the Internet. Since the HTTP requests are handled locally, response time is faster than if the Web objects were retrieved from the Internet.

You can use Profile ACLs with Web caching in two ways:

- Specifying which HTTP traffic should always (or never) be redirected to the cache servers
- Specifying characteristics of Web objects that should not be cached

Redirecting HTTP Traffic to Cache Servers

You can use a Profile ACL to specify which HTTP traffic should always (or never) be redirected to the cache servers. (By default, when Web caching is enabled, all HTTP traffic from all hosts is redirected to the cache servers unless you specify otherwise.)

For example, you can specify that packets with a source address of 10.10.10.10 and a destination address of 1.2.3.4 always are sent to the Internet and never to the cache servers. The following commands illustrate this example.

This command creates a Profile ACL called *prof4* that uses as its selection criteria all packets with a source address of 10.10.10.10 and a destination address of 1.2.3.4:

```
xp(config)# acl prof4 permit ip 10.10.10.10 1.2.3.4
```

The following command creates a *Web caching policy* that prevents packets matching Profile ACL *prof4*'s selection criteria (that is, packets with a source address of 10.10.10.10 and a destination address of 1.2.3.4) from being redirected to a cache server. Packets that match the profile's selection criteria are sent to the Internet instead.

```
xp(config)# web-cache policy1 deny hosts profile prof4
```

When the Web caching policy is applied to an interface (with the **web-cache apply interface** command), HTTP traffic with a source address of 10.10.10.10 and a destination address of 1.2.3.4 goes to the Internet instead of to the cache servers.

Preventing Web Objects From Being Cached

You can also use a Profile ACL to prevent certain Web objects from being cached. For example, you can specify that information in packets originating from Internet site 1.2.3.4 and destined for local host 10.10.10.10 not be sent to the cache servers. The following commands illustrate this example.

This command creates a Profile ACL called *prof5* that uses as its selection criteria all packets with a source address of 1.2.3.4 and a destination address of 10.10.10.10:

```
xp(config)# acl prof5 permit ip 1.2.3.4 10.10.10.10
```

To have packets matching Profile ACL *prof5*'s selection criteria bypass the cache servers, use the following command:

```
xp(config)# web-cache policy1 create bypass-list profile prof5
```

When the Web caching policy is applied to an interface, information in packets originating from source address 1.2.3.4 and destined for address 10.10.10.10 is not sent to the cache servers. See [Web Caching on page 269](#) for more information on using the **web-cache** command.

Enabling ACL Logging

To see whether incoming packets are permitted or denied because of an ACL, you can enable ACL logging. You can enable logging when applying the ACL or you can enable logging for a specific ACL rule.

The following commands define an ACL and apply the ACL to an interface, with logging enabled for the ACL:

```
acl 101 deny ip 10.2.0.0/16 any any any
acl 101 permit ip any any any any
acl 101 apply interface int1 input logging on
```

When ACL logging is turned on, the router prints out a message on the console about whether a packet is dropped *or* forwarded. If you have a Syslog server configured for the XP, the same information will also be sent to the Syslog server.

The following commands define an ACL and apply the ACL to an interface. In this case, logging is enabled for a specific ACL rule:

```
acl 101 deny ip 10.2.0.0/16 any any any log
acl 101 permit ip any any any any
acl 101 apply interface int1 input
```

For the above commands, the router prints out messages on the console only when packets that come from subnet 10.2.0.0/16 on interface 'int1' are dropped.

Note that when logging is enabled on a per-rule basis, you do not need to specify the **logging on** option when the ACL is applied to an interface. With per-rule logging enabled, only the **logging off** option has an effect when the ACL is applied; this option turns off *all* ACL logging.

Before enabling ACL logging, you should consider its impact on performance. With ACL logging enabled, the router prints out a message at the console before the packet is actually forwarded or dropped. Even if the console is connected to the router at a high baud rate, the delay caused by the console message is still significant. This can get worse if the console is connected at a low baud rate, for example, 1200 baud. Furthermore, if a Syslog server is configured, then a Syslog packet must also be sent to the Syslog server, creating additional delay. Therefore, you should consider the potential performance impact before turning on ACL logging.

Monitoring ACLs

The XP provides a display of ACL configurations active in the system.

To display ACL information, enter the following commands in Enable mode.

Show all ACLs.	acl show all
Show a specific ACL.	acl show aclname <name> all
Show an ACL on a specific interface.	acl show interface <name>
Show ACLs on all IP interfaces.	acl show interface all-ip
Show static entry filters.	acl show service

Chapter 23

Security Configuration Guide

Security Overview

The XP provides security features that help control access to the XP and filter traffic going through the XP. Access to the XP can be controlled by:

- Enabling RADIUS
- Enabling TACACS
- Enabling TACACS Plus
- Password authentication

Traffic filtering on the XP enables:

- Layer-2 security filters - Perform filtering on source or destination MAC addresses.
- Layer-3/4 Access Control Lists - Perform filtering on source or destination IP address, source or destination TCP/UDP port, TOS or protocol type for IP traffic. Perform filtering on source or destination IPX address, or source or destination IPX socket. Perform access control to services provided on the XP, for example, Telnet server and HTTP server.

Note: Currently, Source Filtering is available on XP WAN cards; however, you must apply the filter to the entire WAN card.

Configuring XP Access Security

This section describes the following methods of controlling access to the XP:

- RADIUS
- TACACS
- TACACS Plus
- Passwords

RADIUS

Configuring RADIUS

You can secure login or Enable mode access to the XP by enabling a Remote Authentication Dial-In Service (RADIUS) client. A RADIUS server responds to the XP RADIUS client to provide authentication.

You can configure up to five RADIUS server targets on the XP. A timeout is set to tell the XP how long to wait for a response from RADIUS servers.

To configure RADIUS security, enter the following commands in Configure mode:

Specify a RADIUS server.	radius set server <hostname or IP-addr>
Set the RADIUS time to wait for a RADIUS server reply.	radius set timeout <number>
Determine the XP action if no server responds.	radius set last-resort password succeed deny
Enable RADIUS.	radius enable
Cause RADIUS authentication at user login or when user tries to access Enable mode.	radius authentication login enable
Logs specified types of command to RADIUS server.	radius accounting command level <level>
Logs to RADIUS server when shell is stopped or started on XP.	radius accounting shell start stop all

Logs to RADIUS server SNMP changes to startup or active configuration.	radius accounting snmp active startup
Logs specified type(s) of messages to RADIUS server.	radius accounting system fatal error warning info

Monitoring RADIUS

You can monitor RADIUS configuration and statistics within the XP. To monitor RADIUS, enter the following commands in Enable mode:

Show RADIUS server statistics.	radius show stats
Show all RADIUS parameters.	radius show all

Configuring Passwords

The XP provides password authentication for accessing the User and Enable modes. If RADIUS is not enabled on the XP, only local password authentication is performed. To configure XP passwords, enter the following commands in Configure mode:

Set User mode password.	system set password login <string>
Set Enable mode password.	system set password enable <string>

TACACS

Configuring TACACS

In addition, Enable mode access to the XP can be made secure by enabling a Terminal Access Controller Access Control System (TACACS) client. Without TACACS, TACACS Plus, or RADIUS enabled, only local password authentication is performed on the XP. The TACACS client provides user name and password authentication for Enable mode. A TACACS server responds to the XP TACACS client to provide authentication.

You can configure up to five TACACS server targets on the XP. A timeout is set to tell the XP how long to wait for a response from TACACS servers.

To configure TACACS security, enter the following commands in the Configure mode:

Specify a TACACS server.	tacacs set server <hostname or IP-addr>
Set the TACACS time to wait for a TACACS server reply.	tacacs set timeout <number>
Determine XP action if no server responds.	tacacs set last-resort password succeed
Enable TACACS.	tacacs enable

Monitoring TACACS

You can monitor TACACS configuration and statistics within the XP. To monitor TACACS, enter the following commands in Enable mode:

Show TACACS server statistics.	tacacs show stats
Show all TACACS parameters.	tacacs show all

Configuring Passwords

The XP provides password authentication for accessing the User and Enable modes. If TACACS is not enabled on the XP, only local password authentication is performed. To configure XP passwords, enter the following commands in Configure mode:

Set User mode password.	system set password login <string>
Set Enable mode password.	system set password enable <string>

TACACS Plus

Configuring TACACS Plus

You can secure login or Enable mode access to the XP by enabling a TACACS Plus client. A TACACS Plus server responds to the XP TACACS Plus client to provide authentication. You can configure up to five TACACS Plus server targets on the XP. A timeout is set to tell the XP how

long to wait for a response from TACACS Plus servers. To configure TACACS Plus security, enter the following commands in Configure mode:

Specify a TACACS Plus server.	tacacs-plus set server <hostname or IP-addr>
Set the TACACS Plus time to wait for a TACACS Plus server reply.	tacacs-plus set timeout <number>
Determine the XP action if no server responds.	tacacs-plus set last-resort password succeed deny
Enable TACACS Plus.	tacacs-plus enable
Cause TACACS Plus authentication at user login or when user tries to access Enable mode.	tacacs-plus authentication login enable
Cause TACACS Plus authentication at user login or when user tries to access Enable mode.	tacacs-plus authentication login enable
Logs specified types of command to TACACS Plus server.	tacacs-plus accounting command level <level>
Logs to TACACS Plus server when shell is stopped or started on XP.	tacacs-plus accounting shell start stop all
Logs to TACACS Plus server SNMP changes to startup or active configuration.	tacacs-plus accounting snmp active startup
Logs specified type(s) of messages to TACACS Plus server.	tacacs-plus accounting system fatal error warning info

Monitoring TACACS Plus

You can monitor TACACS Plus configuration and statistics within the XP. To monitor TACACS Plus, enter the following commands in Enable mode:

Show TACACS Plus server statistics.	tacacs-plus show stats
Show all TACACS Plus parameters.	tacacs-plus show all

Configuring Passwords

The XP provides password authentication for accessing the User and Enable modes. If TACACS Plus is not enabled on the XP, only local password authentication is performed. To configure XP passwords, enter the following commands in Configure mode:

Set User mode password.	<code>system set password login <string></code>
Set Enable mode password.	<code>system set password enable <string></code>

Layer-2 Security Filters

Layer-2 security filters on the XP allow you to configure ports to filter specific MAC addresses. When defining a Layer-2 security filter, you specify to which ports you want the filter to apply. You can specify the following security filters:

- Address filters

These filters block traffic based on the frame's source MAC address, destination MAC address, or both source and destination MAC addresses in flow bridging mode. Address filters are always configured and applied to the input port.
- Port-to-address lock filters

These filters prohibit a user connected to a locked port or set of ports from using another port.
- Static entry filters

These filters allow or force traffic to go to a set of destination ports based on a frame's source MAC address, destination MAC address, or both source and destination MAC addresses in flow bridging mode. Static entries are always configured and applied at the input port.
- Secure port filters

A secure filter shuts down access to the XP based on MAC addresses. All packets received by a port are dropped. When combined with static entries, however, these filters can be used to drop all received traffic but allow some frames to go through.

Configuring Layer-2 Address Filters

If you want to control access to a source or destination on a per-MAC address basis, you can configure an address filter. Address filters are always configured and applied to the input port. You can set address filters on the following:

- A source MAC address, which filters out any frame coming from a specific source MAC address
- A destination MAC address, which filters out any frame destined to specific destination MAC address

- A flow, which filters out any frame coming from a specific source MAC address that is also destined to a specific destination MAC address

To configure Layer-2 address filters, enter the following commands in Configure mode:

Configure a source MAC based address filter.	filters add address-filter name <name> source-mac <MACaddr> source-mac-mask <mask> vlan <VLAN-num> in-port-list <port-list>
Configure a destination MAC based address filter.	filters add address-filter name <name> dest-mac <MACaddr> dest-mac-mask <mask> vlan <VLAN-num> in-port-list <port-list>
Configure a Layer-2 flow address filter.	filters add address-filter name <name> source-mac <MACaddr> source-mac-mask <mask> dest-mac <MACaddr> dest-mac-mask <mask> vlan <VLAN-num> in-port-list <port-list>

Configuring Layer-2 Port-to-Address Lock Filters

Port address lock filters allow you to bind or “lock” specific source MAC addresses to a port or set of ports. Once a port is locked, only the specified source MAC address is allowed to connect to the locked port and the specified source MAC address is not allowed to connect to any other ports.

To configure Layer-2 port address lock filters, enter the following commands in Configure mode:

Configure a port address lock filter.	filters add port-address-lock name <name> source-mac <MACaddr> vlan <VLAN-num> in-port-list <port-list>
---------------------------------------	---

Configuring Layer-2 Static-Entry Filters

Static entry filters allow or force traffic to go to a set of destination ports based on a frame's source MAC address, destination MAC address, or both source and destination MAC addresses in flow bridging mode. Static entries are always configured and applied at the input port. You can set the following static entry filters:

Note: You may include up to 505 static-entry filters in a configuration.

- Source static entry, which specifies that any frame coming from source MAC address will be allowed or disallowed to go to a set of ports
- Destination static entry, which specifies that any frame destined to a specific destination MAC address will be allowed, disallowed, or forced to go to a set of ports
- Flow static entry, which specifies that any frame coming from a specific source MAC address that is destined to specific destination MAC address will be allowed, disallowed, or forced to go to a set of ports

To configure Layer-2 static entry filters, enter the following commands in Configure mode:

Configure a source static entry filter.	filters add static-entry name <name> restriction allow disallow force source-mac <MACaddr> source-mac-mask <mask> vlan <VLAN-num> in-port-list <port-list> out-port-list <port-list>
Configure a destination static entry filter.	filters add static-entry name <name> restriction allow disallow force dest-mac <MACaddr> dest-mac-mask <mask> vlan <VLAN-num> in-port-list <port-list> out-port-list <port-list>

Configuring Layer-2 Secure Port Filters

Secure port filters block access to a specified port. You can use a secure port filter by itself to secure unused ports. Secure port filters can be configured as source or destination port filters. A secure port filter applied to a source port forces all incoming packets to be dropped on a port. A secure port filter applied to a destination port prevents packets from going out a certain port.

You can combine secure port filters with static entries in the following ways:

- Combine a source secure port filter with a source static entry to drop all received traffic but allow any frame coming from specific source MAC address to go through
- Combine a source secure port filter with a flow static entry to drop all received traffic but allow any frame coming from a specific source MAC address that is destined to specific destination MAC address to go through
- Combine a destination secure port with a destination static entry to drop all received traffic but allow any frame destined to specific destination MAC address go through
- Combine a destination secure port filter with a flow static entry to drop all received traffic but allow any frame coming from specific source MAC address that is destined to specific destination MAC address to go through

To configure Layer-2 secure port filters, enter the following commands in Configure mode:

Configure a source secure port filter.	filters add secure-port name <name> direction source vlan <VLAN-num> in-port-list <port-list>
Configure a destination secure port filter.	filters add secure-port name <name> direction destination vlan <VLAN-num> in-port-list <port-list>

Monitoring Layer-2 Security Filters

The XP provides display of Layer-2 security filter configurations contained in the routing table. To display security filter information, enter the following commands in Enable mode.

Show address filters.	filters show address-filter [all-source all-destination all-flow] [source-mac <MACaddr> dest-mac <MACaddr>] [ports <port-list>] [vlan <VLAN-num>]
Show port address lock filters.	filters show port-address-lock ports [ports <port-list>] [vlan <VLAN-num>] [source-mac <MACaddr>]
Show secure port filters.	filters show secure-port
Show static entry filters.	filters show static-entry [all-source all-destination all-flow] ports <port-list> vlan <VLAN-num> [source-mac <MACaddr> dest-mac <MACaddr>]

Layer-2 Filter Examples

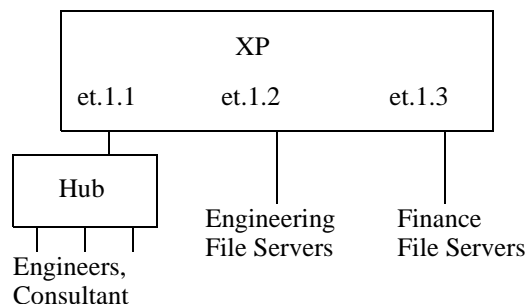


Figure 26. Source Filter Example

Example 1: Address Filters

Source filter: The consultant is not allowed to access any file servers. The consultant is only allowed to interact with the engineers on the same Ethernet segment – port et.1.1. All traffic coming from the consultant’s MAC address will be dropped.

```
filters add address-filter name consultant source-mac 001122:334455 vlan 1 in-port-list et.1.1
```

Destination filter: No one from the engineering group (port et.1.1) should be allowed to access the finance server. All traffic destined to the finance server's MAC will be dropped.

```
filters add address-filter name finance dest-mac AABBCC:DDEEFF vlan 1 in-port-list et.1.1
```

Flow filter: Only the consultant is restricted access to one of the finance file servers. Note that port et.1.1 should be operating in flow-bridging mode for this filter to work.

```
filters add address-filter name consult-to-finance source-mac 001122:334455 dest-mac  
AABBCC:DDEEFF vlan 1 in-port-list et.1.1
```

Static Entries Example

Source static entry: The consultant is only allowed to access the engineering file servers on port et.1.2.

```
filters add static-entry name consultant source-mac 001122:334455 vlan 1 in-port-list et.1.1 out-port-list  
et.1.2 restriction allow
```

Destination static entry: Restrict “login multicasts” originating from the engineering segment (port et.1.1) from reaching the finance servers.

```
filters add static-entry name login-mcasts dest-mac 010000:334455 vlan 1 in-port-list et.1.1 out-port-list  
et.1.3 restriction disallow
```

or

```
filters add static-entry name login-mcasts dest-mac 010000:334455 vlan 1 in-port-list et.1.1 out-port-list  
et.1.2 restriction allow
```

Flow static entry: Restrict “login multicasts” originating from the consultant from reaching the finance servers.

```
filters add static-entry name consult-to-mcasts source-mac 001122:334455 dest-mac 010000:334455 vlan 1  
in-port-list et.1.1 out-port-list et.1.3 restriction disallow
```

Port-to-Address Lock Examples

You have configured some filters for the consultant on port et.1.1. If the consultant plugs his laptop into a different port, he will bypass the filters. To lock him to port et.1.1, use the following command:

```
filters add port-address-lock name consultant source-mac 001122:334455 vlan 1 in-port-list et.1.1
```

Note: If the consultant’s MAC is detected on a different port, all of its traffic will be blocked.

Example 2: Secure Ports

Source secure port: To block all engineers on port 1 from accessing all other ports, enter the following command:

```
filters add secure-port name engineers direction source vlan 1
in-port-list et.1.1
```

To allow ONLY the engineering manager access to the engineering servers, you must “punch” a hole through the secure-port wall. A “source static-entry” overrides a “source secure port”.

```
filters add static-entry name eng-mgr source-mac 080060:123456 vlan 1 in-port-list et.1.1 out-port-list
et.1.2 restriction allow
```

Destination secure port: To block access to all file servers on all ports from port et.1.1 use the following command:

```
filters add secure-port name engineers direction dest vlan 1
in-port-list et.1.1
```

To allow all engineers access to the engineering servers, you must “punch” a hole through the secure-port wall. A “dest static-entry” overrides a “dest secure port”.

```
filters add static-entry name eng-server dest-mac 080060:abcdef vlan 1 in-port-list et.1.1 out-port-list et.1.2
restriction allow
```

Layer-3 Security Controls

Access Control Lists (ACLs)

Access Control Lists (ACLs) allow you to restrict Layer-3/4 traffic going through the XP. Each ACL consists of one or more rules describing a particular type of IP or IPX traffic. An ACL can be simple, consisting of only one rule, or complicated with many rules. Each rule tells the router to either permit or deny the packet that matches the rule's packet description.

For information about defining and using ACLs on the XP, see *Access Control List Configuration Guide* [on page 285](#).

Rate Limiting

This configuration mode command allows the X-Pedition to set limits on the amount of traffic any port, interface, or vlan can receive.

Features Available

There are five different kinds of rate limiting: per flow rate limiting, aggregate rate limiting, port-based rate limiting, flow aggregate rate limiting, and vlan rate limiting (L4-Bridging must be enabled for vlan rate limiting). Per flow and aggregate rate limiting have flows defined through a policy ACL—vlan and port-based rate limiting do not. For a more in-depth description of the various kinds of rate limiting, refer to *Limiting Traffic Rate on page 336*.

Note: There are two rate limiting modes that can be set where appropriate: per flow (the default) and aggregate.

A big problem in security today is Denial of Service or DoS. DoS attacks are used to prevent normal operation of network hardware and end systems. DoS packets attempt to congest a network and render it useless. The XP is resistant to many of these attacks, but some attacks may still cause problems—even attack packets being handled by a flow. By using rate limiting, traffic (good or bad) can be handled appropriately and network performance maintained.

Configuration

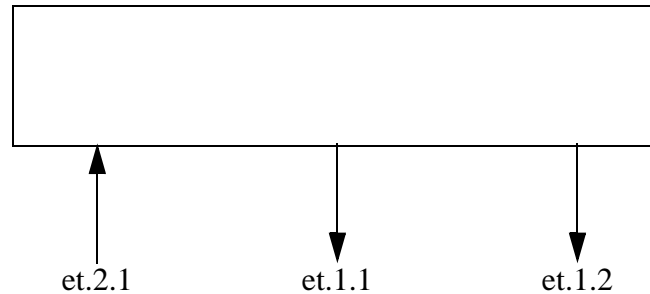
The rate limiting commands are available in configuration mode. If you know what kinds of traffic loads the XP can expect, you can configure the XP with rate limiting. Rate limiting can be applied to the following:

- A set of ports
- A flow
- A set of flows (aggregate)
- A vlan (L4-Bridging must be enabled for vlan rate limiting)

To configure rate limiting policies, enter the following commands while in configuration mode:

Enable aggregate rate limiting mode on the XP.	<code>system enable aggregate-rate-limiting</code>
Define a per-flow rate limit policy.	<code>rate-limit <name> input acl <acl list> rate <rate-limit> exceed-action drop-packets set-priority-low set-priority-medium set-priority-high [sequence <number>]</code>
Apply a per-flow rate limit profile to an interface.	<code>rate-limit <name> apply interface <interface> all</code>
Define a port rate limit policy to limit incoming traffic on a port.	<code>rate-limit <name> port-level input rate <rate-limit> port <port list> {drop-packets no-action lower-priority lower-priority-except-control tos-precedence-rewrite <val1> tos-precedence- rewrite-lower-priority <val2>}</code>

Define a port rate limit policy to limit outgoing traffic on a port.	rate-limit <name> port-level output port <port list> rate <rate-limit> drop-packets
Specify that control traffic is not subject to output port rate limiting.	rate-limit <name> port-level slot <slot-number> ignore-control-priority
Define an aggregate rate limit policy.	rate-limit <name> aggregate acl <acl list> rate <rate-limit> { drop-packets no-action lower-priority lower-priority-except-control tos-precedence-rewrite <val1> tos-precedence-rewrite-lower-priority <val2>} [allocate-resources during-apply during-traffic]
Apply an aggregate rate limit policy to an interface.	rate-limit <name> apply interface <interface> all
Define a vlan rate limiting policy to limit incoming traffic on a vlan.	rate-limit <name> vlan <name> port <port list all-ports> rate <rate-limit> exceed-action drop-packets set-priority-low set-priority-medium set-priority-high [sequence <number>]
Define a vlan rate limiting policy to limit outgoing traffic on a port belonging to a specific vlan.	rate-limit <name> vlan <name> port <port list all-ports> destport <port list all-ports> rate <rate-limit> exceed-action drop-packets set-priority-low set-priority-medium set-priority-high [sequence <number>]
Show rate limit policy information.	rate-limit show all policy-type <type> policy-name <name> interface <interface> { port-level <port> <name>} rate-limiting-mode

Sample configuration: Per-Flow Rate Limiting**X-Pedition**

Consider the following configuration. Traffic from two interfaces, ipNet1 with ip address 10.10.10.10 and ipNet2 with IP address 20.20.20.20, will have their packet priority lowered if they exceed 10Mbps for each flow:

```
vlan create net1 ip
vlan create outNet ip
vlan create net2 ip
vlan add ports et.1.1 to net1
vlan add ports et.1.2 to net2
vlan add ports et.2.1 to outNet
interface create ip ipNet1 vlan net1 address-netmask 10.10.10.10/8
interface create ip ipNet2 vlan net2 address-netmask 20.20.20.20/8
interface create ip ipOutNet vlan outNet address-netmask 30.30.30.30/8
acl net1Acl permit ip 10.1.1.1
acl net2Acl permit ip 20.2.2.2
rate-limit rlNet1 input acl net1Acl rate 10000000 exceed-action set-priority-low
rate-limit rlNet2 input acl net2Acl rate 10000000 exceed-action set-priority-low
rate-limit rlNet1 apply interface ipNet1
rate-limit rlNet2 apply interface ipNet2
```


Output

If the XP successfully creates a rate-limiting policy, an %RL-I-CREATED message will appear. Additionally, %RL-I-INTERFACE messages will appear if the rate limit needs to be applied. The messages displayed for the commands in the previous example are as follows:

```
%VLAN-I-CREATED, VLAN net1 created with VLAN ID 2. To add ports to the VLAN, use the "vlan add
ports" command.
%VLAN-I-CREATED, VLAN outNet created with VLAN ID 3. To add ports to the VLAN, use the "vlan
add ports" command.
%VLAN-I-CREATED, VLAN net2 created with VLAN ID 4. To add ports to the VLAN, use the "vlan add
ports" command.
%VLAN-I-ADDSUCCESS, 1 port et.1.1 successfully added to VLAN net1
%VLAN-I-ADDSUCCESS, 1 port et.1.2 successfully added to VLAN net2
%VLAN-I-ADDSUCCESS, 1 port et.2.1 successfully added to VLAN outNet
%INTERFACE-I-CREATEDIF, Interface ipNet1 was successfully created.
%INTERFACE-I-CREATEDIF, Interface ipNet2 was successfully created.
%INTERFACE-I-CREATEDIF, Interface ipOutNet was successfully created.
%RL-I-CREATED, Rate limit policy 'rlNet1' has been successfully created for ACL(s) 'net1Acl'
%RL-I-CREATED, Rate limit policy 'rlNet2' has been successfully created for ACL(s) 'net2Acl'
%RL-I-INTERFACE, Rate limit policy 'rlNet1' has been successfully attached to 'ipNet1' interface
%RL-I-INTERFACE, Rate limit policy 'rlNet2' has been successfully attached to 'ipNet2' interface
```

Diagrams

None.

Enable / Disable

To disable a rate limiting policy, remove it from the active configuration.

Broadcast Monitor

The configuration mode command **bmon**, broadcast monitor, is used to limit the amount of unlearned traffic the XP has for any given port.

Features Available

Bmon is basically a simple version of rate limiting. While, rate limiting can manage *any* traffic, bmon manages only *unlearned* traffic. Bmon can be used on individual ports only, and when the specified rate is exceeded, bmon can shut down the monitored port or redirect the unlearned traffic to another port.

Like rate limiting, bmon protects the CPU from being bogged down in traffic. This is especially useful with *DoS* attacks. DoS, Denial of Service, attacks are often used to keep network hardware and end systems so busy that they can't process valid traffic. While setting up flow helps alleviate

this problem on the XP, if the CPU has to process traffic the router can still be rendered unusable. Bmon helps with this problem.

Configuration

The bmon commands are available in configuration mode. If you expect a low or moderate level of unlearned traffic on one of the XP's ports, you can configure the port with bmon. Bmon applies to ports only.

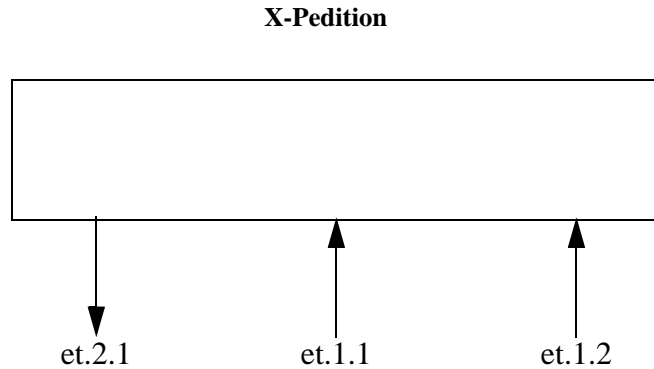
There are some things to be aware of when using bmon's redirect option:

- A port cannot be redirected to itself.
- A port cannot be redirected to multiple ports; however, multiple ports can be set to redirect to the same port.
- The port receiving the redirected traffic must be able to handle such a load.

To configure broadcast monitors, enter the following commands while in configuration mode:

Configure and attach a broadcast monitor on a set of ports.	port bmon <i><port list></i> [rate <i><number></i>] [duration <i><number></i>] [shutdown <i><number></i>] [packet-limited all broadcast] [redirect <i><port></i>] [unlimited-redirect <i><port></i>]
---	---

Sample configuration: Monitor All Unlearned Traffic



The following command will redirect unlearned traffic for ports et.1.1 and et.1.2 to port et.2.1 after the unlearned traffic rate reaches 2 Kpkts/sec for 30 sec. The traffic will be redirected for the default time of 5 min.

```
port bmon et.1.1-2 redirect et.2.1 rate 2 duration 30 packets-limited all
```

Output

When you enter a bmon command, no message displays. However, when you redirect a port or a port redirection expires, a %SYS-I-CPL_PORTRD or %SYS-I-CPL_PORTNRD message appears respectively. If traffic conditions bring a port down, a %SYS-I-CPL_PORTDN message will appear. When the port resumes operation, a %SYS-I-CPL_PORTUP message will appear.

Diagrams

None.

Enable / Disable

To disable bmon commands, remove them from the active configuration.

Port Mirroring

The port mirroring facility, available in configuration mode, allows the XP to duplicate traffic between ports. For additional information, see *Configuring the XP for Port Mirroring* on page 345.

Features Available

A port mirror can be used to duplicate traffic from a single port to another single port, a single port to multiple ports, multiple ports to a single port, or multiple ports to multiple ports. You may also use the Port Mirroring facility in conjunction with an ACL. When you set up a mirror for traffic coming into the XP that matches a specific ACL, the XP mirrors the traffic out to one or more ports.

By itself, port mirroring doesn't protect the X-Pedition from intrusion; however, it is very useful when you work in conjunction with an IDS (Intrusion Detection System) such as Enterasys' Dragon Sensor. The X-Pedition can mirror traffic to an IDS and the IDS can perform more sophisticated, customized processing of the packets without inhibiting the X-Pedition's performance—if it finds a suspicious packet, the IDS can alert the system administrator. Most security systems have some way to communicate with routers to neutralize any potential threats (e.g., the Dragon Sensor uses SNMP to communicate with the X-Pedition). Refer to the Enterasys web site for more information on the Dragon Sensor and other security offerings.

Configuration

If you want to duplicate traffic between ports, you may want set up a port mirror with the mirroring commands (available in configuration mode). Since you may use a port only once in a single mirror, you may not use a port in multiple mirrors or set it to mirror itself. Additionally, since the mirror administratively takes down destination ports in a port mirror, you cannot use them in smart trunks, ACLs, etc. You can apply mirrors to the following:

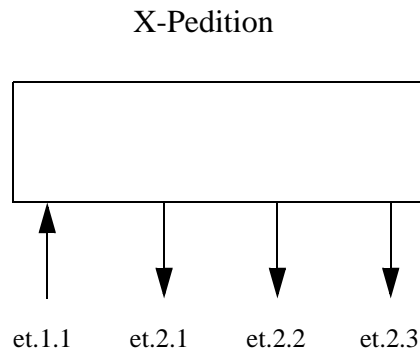
- A set of ports
- An ACL

To configure port mirrors, enter the following commands while in configuration mode:

Specify ports to be mirrored out another set of ports.	port mirroring dst-ports <port-list> src-ports <port-list>
Specify an ACL to be mirrored out the designated ports.	port mirroring dst-ports <port-list> src-acl <acl-name>

Sample configurations

Example 1: One to Many Mirror

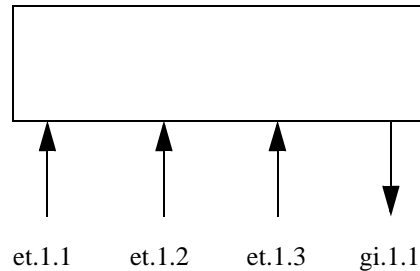


Port et.1.1 is being mirrored out 3 ports, et.2.1, et.2.2 and et.2.3.

```
port mirroring dst-ports et.2.(1-3) src-ports et.1.1
```

Example 2: Many To One Mirror

X-Pedition



Ports et.1.1, et.1.2 and et.1.3 are being mirrored out gi.1.1

```
port mirroring dst-ports gi.1.1 src-ports et.1.(1-3)
```

Example 3: ACL Mirror

All traffic coming into the X-Pedition matching the ACL, inNet, will be sent out port gi.1.1. For information on configuring ACLs see *Access Control List Configuration Guide* [on page 285](#).

```
port mirroring dst-ports gi.1.1 src-acl inNet
```

Output

If the X-Pedition creates a mirror successfully, it will print a message to the console. The message for example 1 would be as follows:

```
MIRRORING-I-MIRROR_INFO, Mirroring on ports et.2.1 et.2.2 et.2.3 for et.1.1 is enabled
```

Diagrams

None.

Enable / Disable

To disable a port mirror, remove it or comment it out of the active configuration.

Layer-4 Bridging and Filtering

Layer-4 bridging is the XP's ability to use layer-3/4 information to perform filtering or QoS during bridging. As described in *Layer-2 Security Filters on page 306*, you can configure ports to filter traffic using MAC addresses. Layer-4 bridging adds the ability to use IP addresses, layer-4 protocol type, and port number to filter traffic in a bridged network. Layer-4 bridging allows you to apply security filters on a "flat" network, where the client and server may reside on the same subnet.

Note: Ports that are included in a layer-4 bridging VLAN must reside on updated XP hardware.

To illustrate this, the following diagram shows an XP serving as a bridge for a consultant host, file server, and an engineering host, all of which reside on a single subnet.

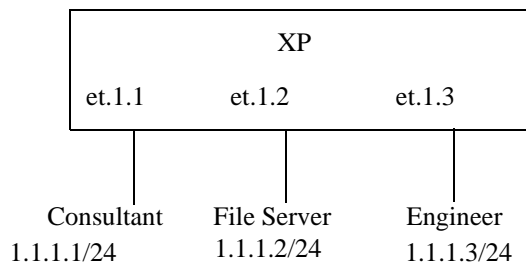


Figure 27. Sample VLAN for Layer-4 bridging

You may want to allow the consultant access to the file server for e-mail (SMTP) traffic, but not for Web (HTTP) traffic and allow e-mail, Web, and FTP traffic between the engineer and the file server. You can use Layer-4 bridging to set this up.

Setting up Layer-4 bridging consists of the following steps:

- Creating a port-based VLAN
- Placing the ports on the same VLAN
- Enabling Layer-4 Bridging on the VLAN
- Creating an ACL that specifies the selection criteria
- Applying an ACL to a port

Creating a Port-Based VLAN for Layer-4 Bridging

The ports to be used in Layer-4 Bridging must all be on the same VLAN. To create a port-based VLAN, enter the following command in Configure mode:

Create a port-based VLAN.	<code>vlan create <vlan-name> port-based id <num></code>
---------------------------	--

For example, to create a port-based VLAN called “blue” with an ID of 21, enter the following command in Configure Mode:

```
xp(config)# vlan create blue port-based id 21
```

Placing the Ports on the Same VLAN

Once you create a VLAN for the ports you will use in layer-4 bridging, add the ports to the VLAN by entering the following command in Configure Mode:

Add ports to a VLAN.	vlan add ports <port-list> to <vlan-name>
----------------------	--

To add the ports in the example in [Figure 27 on page 320](#) to the blue VLAN, enter the following command:

```
xp(config)# vlan add ports et.1.1,et.1.2,et.1.3 to blue
```

Enabling Layer-4 Bridging on the VLAN

After you add the ports to the VLAN, enable Layer-4 Bridging on the VLAN by entering the following command in Configure Mode:

Enable Layer-4 bridging.	vlan enable l4-bridging on <vlan-name>
--------------------------	---

For example, to enable Layer-4 Bridging on the blue VLAN:

```
xp(config)# vlan enable l4-bridging on blue
```

Creating ACLs to Specify Selection Criteria for Layer-4 Bridging

Access control lists (ACLs) specify the kind of filtering to be done for Layer-4 Bridging.

In the example in [Figure 27 on page 320](#), to allow the consultants access to the file server for e-mail (SMTP) traffic, but not for Web (HTTP) traffic — and allow e-mail, Web, and FTP traffic between the engineers and the file server, you would create ACLs that allow only SMTP traffic on the port to which the consultants are connected and allow SMTP, HTTP, and FTP traffic on the ports to which the engineers are connected.

The following is an example:

```
acl 100 permit ip any any smtp
acl 100 deny ip any any http

acl 200 permit any any smtp
acl 200 permit any any http
acl 200 permit any any ftp
```

ACL 100 explicitly permits SMTP traffic and denies HTTP traffic. Note that because of the implicit deny rule appended to the end of the ACL, all traffic (not just HTTP traffic) other than SMTP is denied.

ACL 200 explicitly permits SMTP, HTTP, and FTP traffic. The implicit deny rule denies any other traffic. See *Creating and Modifying ACLs* [on page 290](#) for more information on defining ACLs.

Applying a Layer-4 Bridging ACL to a Port

Finally, you apply the ACLs to the ports in the VLAN. To do this, enter the following command in Configure Mode:

Apply a Layer-4 bridging ACL to a port	acl <name> apply port <port-list>
--	--

For the example in [Figure 27 on page 320](#), to apply ACL 100 (which denies all traffic except SMTP) to the consultant port:

```
xp(config)# acl 100 apply port et.1.1 output
```

To apply ACL 200 (which denies all traffic except SMTP, HTTP, and FTP) to the engineer port:

```
xp(config)# acl 200 apply port et.1.3 output
```


Notes

- Layer-4 Bridging works for IP and IPX traffic only. The XP will drop non-IP/IPX traffic on a Layer-4 Bridging VLAN. For Appletalk and DECnet packets, a warning is issued before the first packet is dropped.
- If you use a SmartTRUNK in a with Layer-4 Bridging VLAN, the XP maintains the packet order on a per-flow basis, rather than per-MAC pair. This means that for traffic between a MAC pair consisting of more than one flow, the packets may be disordered if they go through a SmartTRUNK. For traffic that doesn't go through a SmartTRUNK, the per-MAC pair packet order is kept.
- ACLs applied to a network interface (as opposed to a port) do not have an effect on Layer-4 Bridged traffic, even though the interface may include ports used in Layer-4 Bridging.
- When you use an SNMP MIB to create a VLAN, Layer-4 Bridging is auto-enabled.
- If you use Q MIB to add ports on line cards, Layer-4 Bridging will be disabled.

Chapter 24

QoS Configuration Guide

QoS and Layer-2, Layer-3, and Layer-4 Flow Overview

The XP allows network managers to identify traffic and set Quality of Service (QoS) policies without compromising wire speed performance. The XP can guarantee bandwidth on an application by application basis, thus accommodating high-priority traffic even during peak periods of usage. QoS policies can be broad enough to encompass all the applications in the network, or relate specifically to a single host-to-host application flow.

The XP provides four different features to satisfy QoS requirements:

- *Traffic prioritization* allows network administrators to identify and segregate mission-critical network traffic into different priority queues from non-critical network traffic. Once a packet has been identified, it can be assigned into any one of four priority queues in order to ensure delivery. Priority can be allocated based on any combination of Layer-2, Layer-3, or Layer-4 traffic.
- *Weighted Random Early Detection (WRED)* alleviates traffic congestion by randomly dropping packets before the queue becomes completely flooded. WRED should only be applied to TCP traffic.
- *Type of Service (ToS) rewrite* provides network administrators access to the ToS octet in an IP packet. The ToS octet is designed to provide feedback to the upper layer application. The administrator can “mark” packets using the ToS rewrite feature so that the application (a routing protocol, for example) can handle the packet based on a predefined mechanism.
- *Traffic rate limiting* provides network administrators with tools to manage bandwidth resources. The administrator can create an upper limit for a traffic profile, which is based on Layer-3 or Layer-4 information. Traffic that exceeds the upper limit of the profile can either be dropped or re prioritized into another priority queue.

Within the XP, QoS policies are used to classify Layer-2, Layer-3, and Layer-4 traffic into the following priority queues (in order from highest priority to lowest):

- Control (for router control traffic; the remaining classes are for normal data flows)
- High
- Medium
- Low

Separate buffer space is allocated to each of these four priority queues. By default, buffered traffic in higher priority queues is forwarded ahead of pending traffic in lower priority queues (this is the *strict priority* queuing policy). During heavy loads, low-priority traffic can be dropped to preserve the throughput of the higher-priority traffic. This ensures that critical traffic will reach its destination even if the exit ports for the traffic are experiencing greater-than-maximum utilization. To prevent low-priority traffic from waiting indefinitely as higher-priority traffic is sent, you can apply the *weighted fair queuing* (WFQ) queuing policy to set a minimum bandwidth for each class. You can also apply *weighted random early detection* (WRED) to keep congestion of TCP traffic under control.

Layer-2, Layer-3, and Layer-4 Flow Specification

In the XP, traffic classification is accomplished by mapping Layer-2, -3, or -4 traffic to one of the four priorities. Each traffic classification is treated as an individual traffic flow in the XP.

For Layer-2 traffic, you can define a flow based on the following:

- MAC packet header fields, including source MAC address, destination MAC address and VLAN IDs. A list of incoming ports can also be specified.

For Layer-3 (IP and IPX) traffic, you can define “flows”, blueprints or templates of IP and IPX packet headers.

- The IP fields are source IP address, destination IP address, UDP/TCP source port, UDP/TCP destination port, TOS (Type of Service), transport protocol (TCP or UDP), and a list of incoming interfaces.
- The IPX fields are source network, source node, destination network, destination node, source port, destination port, and a list of incoming interfaces.

For Layer-4 traffic, you can define a flow based on source/destination TCP/UDP port number in addition to Layer-3 source/destination IP address.

The flows specify the contents of these fields. If you do not enter a value for a field, a wildcard value (all values acceptable) is assumed for the field.

Precedence for Layer-3 Flows

A precedence from 1 - 7 is associated with each field in a flow. The XP uses the precedence value associated with the fields to break ties if packets match more than one flow. The highest precedence is 1 and the lowest is 7. Here is the default precedence of the fields:

- IP: destination port (1), destination IP address (2), source port (3), source IP address (4), TOS (5), interface (6), protocol (7)
- IPX: destination network (1), source network (2), destination node (3), source node (4), destination port (5), source port (6), interface (7)

Use the **qos precedence ip** and **qos precedence ipx** commands to change the default precedence.

XP Queuing Policies

You can use one of two queuing policies on the XP:

- **Strict priority:** Assures the higher priorities of throughput but at the expense of lower priorities. For example, during heavy loads, low-priority traffic can be dropped to preserve throughput of control-priority traffic, and so on.
- **Weighted fair queuing:** Distributes priority throughput among the four priorities (control, high, medium, and low) based on percentages.

You can set the queuing policy on a per-port basis. The default queuing policy is strict priority.

Traffic Prioritization for Layer-2 Flows

QoS policies applied to layer-2 flows allow you to assign priorities based on source and destination MAC addresses. A QoS policy set for a layer-2 flow allows you to classify the priority of traffic from:

- A specific source MAC address to a specific destination MAC address (use only when the port is in flow bridging mode)
- Any source MAC address to a specific destination MAC address

Before applying a QoS policy to a layer-2 flow, you must first determine whether a port is in address-bridging mode or flow-bridging mode. If a port operates in address-bridging mode (default), you can specify the priority based on the destination MAC address and a VLAN ID. You can also specify a list of ports to apply the policy.

If a port operates in flow-bridging mode, you can be more specific and configure priorities for frames that match both a source AND a destination MAC address and a VLAN ID. You can also specify a list of ports to apply the policy.

The VLAN ID in the QoS configuration must match the VLAN ID assigned to the list of ports to which the QoS policy is applied. In a layer-2 only configuration, each port has only one VLAN ID associated with it and the QoS policy should have the same VLAN ID. When different VLANs are assigned to the same port using different protocol VLANs, the layer-2 QoS policy must match the VLAN ID of the protocol VLAN.

Note: In flow mode, you can also ignore the source MAC address and configure the priority based on the destination MAC address only.

Configuring Layer-2 QoS

When applying QoS to a layer-2 flow, priority can be assigned as follows:

- The frame gets assigned a priority within the switch. Select “low,” medium, high or control.”
- The frame gets assigned a priority within the switch, AND if the exit ports are VLAN trunk ports, the frame is assigned an 802.1Q priority. Select a number from 0 to 7.

To set a QoS priority on a layer-2 flow, enter the following command in Configure mode:

Set a Layer-2 QoS policy.	<pre> qos set l2 name <name> source-mac <MACaddr> dest-mac <MACaddr> vlan <vlanID> in-port-list <port-list> priority control high medium low <trunk- priority> </pre>
---------------------------	---

802.1p Priority Mapping

The following table shows the default mapping of 802.1p class of service (CoS) values to internal priorities for frames that are received on a port on the XP:

Table 10: Default Priority Map

802.1p CoS Values	Internal Priority Queue
1, 2	Low
0, 3	Medium
4, 5	High
6, 7	Control

You can create one or more priority maps that are different from the default priority map and then apply these maps to some or all ports of the XP. The new priority mapping replaces the default mappings for those ports to which they are applied.

Creating and Applying a New Priority Map

To specify a priority map on a per-port basis, enter the following commands in Configure mode:

Create a new priority mapping.	qos create priority-map <name> <CoS number> control high medium low
Apply new priority mapping to ports.	qos apply priority-map <name> ports <port-list>

For example, the following command creates the priority map “all-low” which maps all 802.1p priorities to the “low” internal priority queue:

```
qos create priority-map all-low 0 low 1 low 2 low 3 low 4 low 5 low 6 low 7 low
```

Once a priority map is created, it can then be applied to a set of ports, as shown in the following example:

```
qos apply priority-map all-low ports et.1.1-4, gi.4.*
```

In the above example, ports et.1.1-4 and ports gi.4.* will use the “all-low” priority map. All other ports, including ports et.1.5-8, will use the default priority map.

You do not need to specify mappings for *all* 802.1p values. If you do not specify a particular mapping, the default mapping for that 802.1p priority is used. The following example creates a priority map “no-ctrl” with the same mappings as the default priority map, except that the 802.1p priority of 7 is mapped to the internal priority “high” instead of “control.”

```
qos create priority-map no-ctrl 7 high
```

Removing or Disabling Per-Port Priority Map

Negating a **qos create priority-map** command removes the priority map. (Before you can remove a priority map, you must negate all commands that use the priority map.) Negating a **qos apply priority-map** command causes the configured ports to use the default priority mapping.

The ability to specify per-port priority maps is enabled on the XP by default. You can disable use of per-port priority maps on the XP; all ports on the XP will then be configured to use the default priority map only. If the commands to create and apply priority maps exist in the active configuration, they will remain in the configuration but be ineffective.

To disable the use of priority maps, enter the following command in Configure mode:

Disable use of per-port priority maps on the XP.	qos priority-map off
--	-----------------------------

If the above command is negated, ports on the XP can use per-port priority maps. If the commands to create and apply priority maps exist in the active configuration, they are reapplied.

Displaying Priority Map Information

To display priority maps and the ports on which they are applied, enter the following command in Enable mode:

Display priority mapping.	qos show priority-map <name> all
---------------------------	---

Traffic Prioritization for Layer-3 & Layer-4 Flows

QoS policies applied at layer-3 and 4 allow you to assign priorities based on specific fields in the IP and IPX headers. You can set QoS policies for IP flows based on source IP address, destination IP address, source TCP/UDP port, destination TCP/UDP port, type of service (TOS) and transport protocol (TCP or UCP). You can set QoS policies for IPX flows based on source network, source node, destination network, destination node, source port and destination port. A QoS policy set on an IP or IPX flow allows you to classify the priority of traffic based on:

- Layer-3 source-destination flows
- Layer-4 source-destination flows
- Layer-4 application flows

Configuring IP QoS Policies

To configure an IP QoS policy, perform the following tasks:

1. Identify the Layer-3 or 4 flow and set the IP QoS policy.
2. Specify the precedence for the fields within an IP flow.

Setting an IP QoS Policy

To set a QoS policy on an IP traffic flow, enter the following command in Configure mode:

Set an IP QoS policy.	qos set ip <name> <priority> <srcaddr/mask> any <dstaddr/mask> any <srcport> any <dstport> any <tos> any <port list> <interface-list> any <protocol> any <tos-mask> any <tos-precedence-rewrite> any <tos-rewrite> any
-----------------------	---

For example, the following command assigns control priority to any traffic coming from the 10.10.11.0 network:

```
xp(config)# qos set ip xyz control 10.10.11.0/24
```

Specifying Precedence for an IP QoS Policy

To specify the precedence for an IP QoS policy, enter the following command in Configure mode:

Specify precedence for an IP QoS policy.	qos precedence ip [sip <num>] [dip <num>] [srcport <num>] [destport <num>] [tos <num>] [protocol <num>] [intf <num>]
--	---

Configuring IPX QoS Policies

To configure an IPX QoS policy, perform the following tasks:

1. Identify the Layer-3 or 4 flow, and set the IPX QoS policy.
2. Specify the precedence for the fields within an IPX flow.

Setting an IPX QoS Policy

To set a QoS policy on an IPX traffic flow, enter the following command in Configure mode:

Set an IPX QoS policy.	qos set ipx <name> <priority> <srcnet> any <srcmask> any <srcport> any <dstnet> any <dstmask> any <dstport> any <port list> <interface-list> any
------------------------	---

Specifying Precedence for an IPX QoS Policy

To specify the precedence for an IPX QoS policy, enter the following command in Configure mode:

Specify precedence for an IPX QoS policy.	qos precedence ipx [srcnet <num>] [srcnode <num>] [srcport <num>] [dstnet <num>] [dstnode <num>] [dstport <num>] [intf <num>]
---	---

Configuring XP Queueing Policy

The XP queueing policy is set on a system-wide basis. The XP default queueing policy is strict priority. To change the queueing policy to weighted-fair queueing on the XP, enter the following command in Configure mode:

Set queueing policy to weighted-fair.	qos set queueing-policy weighted-fair port <port list> all-ports input <slot num> all-modules
---------------------------------------	---

If you want to revert the XP queueing policy from weighted-fair to strict priority (default), enter the following command in Configure mode:

Revert the XP queueing policy to strict priority.	negate <line within active-configuration containing qos set queueing-policy weighted-fair>
---	---

Allocating Bandwidth for a Weighted-Fair Queueing Policy

If you enable the weighted-fair queueing policy on the XP, you can allocate bandwidth for the queues on the XP. To allocate bandwidth for each XP queue, enter the following command in Configure mode:

Allocate bandwidth for a weighted-fair queueing policy.	qos set weighted-fair control <percentage> high <percentage> medium <percentage> low <percentage> port <port list> all-ports input <slot num> all-modules
---	---

Weighted Random Early Detection (WRED)

Random Early Detection (WRED) alleviates traffic congestion issues by selectively dropping packets before the queue becomes completely flooded. WRED parameters allow you to set conditions and limits for dropping packets in the queue.

To enable WRED on input queues of specific ports, enter the following command in Configure mode:

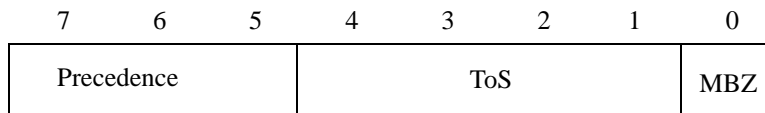
Enable WRED on input or output queue of specified ports.	qos wred input [port <port list> all-ports][queue control high medium low] [exponential-weighting-constant <num>] [min-queue-threshold <num>][max-queue-threshold <num>][mark-prob-denominator num>]
--	--

ToS Rewrite

In the Internet, IP packets that use different paths are subject to delays, as there is little inherent knowledge of how to optimize the paths for different packets from different applications or users. The IP protocol actually provides a facility, which has been part of the IP specification since the protocol's inception, for an application or upper-layer protocol to specify how a packet should be handled. This facility is called the Type of Service (ToS) octet.

The ToS octet part of the IP specification, however, has not been widely employed in the past. The IETF is looking into using the ToS octet to help resolve IP quality problems. Some newer routing protocols, like OSPF and IS-IS, are designed to be able to examine the ToS octet and calculate routes based on the type of service.

The ToS octet in the IP datagram header consists of three fields:



Most Significant Bit

Least Significant Bit

- The three-bit Precedence field is used to indicate the priority of the datagram.
- The four-bit ToS field is used to indicate trade-offs between throughput, delay, reliability, and cost.
- The one-bit "must be zero" (MBZ) field is not currently used. (In the XP configuration, there is no restriction on this bit and it is included as part of the ToS field.)

For example, setting the ToS field to 0010 specifies that a packet will be routed on the most reliable paths. Setting the ToS field to 1000 specifies that a packet will be routed on the paths with the least delay. (Refer to RFC 1349 for the specification of the ToS field value.)

With the ToS rewrite command, you can access the value in the ToS octet (which includes both the Precedence and ToS fields) in each packet. The upper-layer application can then decide how to handle the packet, based on either the Precedence or the ToS field or both fields. For example, you can configure a router to forward packets using different paths, based on the ToS octet. You can also change the path for specific applications and users by changing the Precedence and/or ToS fields.

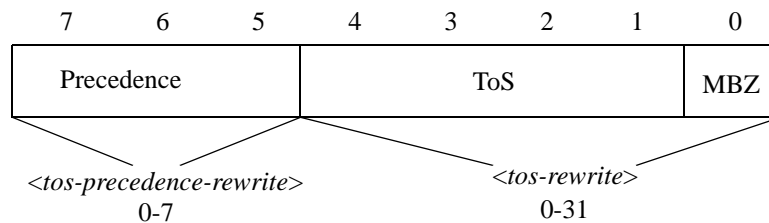
Note: In RFC 2574, the IETF redefined the ToS octet as the “DiffServ” byte. You will still be able to use the ToS rewrite feature to implement DiffServ when this standard is deployed.

Configuring ToS Rewrite for IP Packets

The ToS rewrite for IP packets is set with the **qos set** command in Configure mode. You can define the QoS policy based on any of the following IP fields: source IP address, destination IP address, source port, destination port, ToS, port, or interface.

When an IP packet is received, the ToS field of the packet is ANDed with the *<tos-mask>* and the resulting value is compared with the ANDed value of *<tos>* and *<tos-mask>* of the QoS policy. If the values are equal, the values of the *<tos-rewrite>* and *<tos-precedence-rewrite>* parameters will be written into the packet.

The *<tos>* and *<tos-mask>* parameters use values ranging from 0 to 255. They are used in conjunction with each other to define which bit in the *<tos>* field of the packet is significant. The *<tos-precedence-rewrite>* value ranges from 0 to 7 and is the value that is rewritten in the ToS Precedence field (the first three bits of the ToS octet). The *<tos-rewrite>* value ranges from 0 to 31 and is the value that is rewritten in the ToS field (the last five bits of the ToS octet, which includes both the ToS field and the MBZ bit).



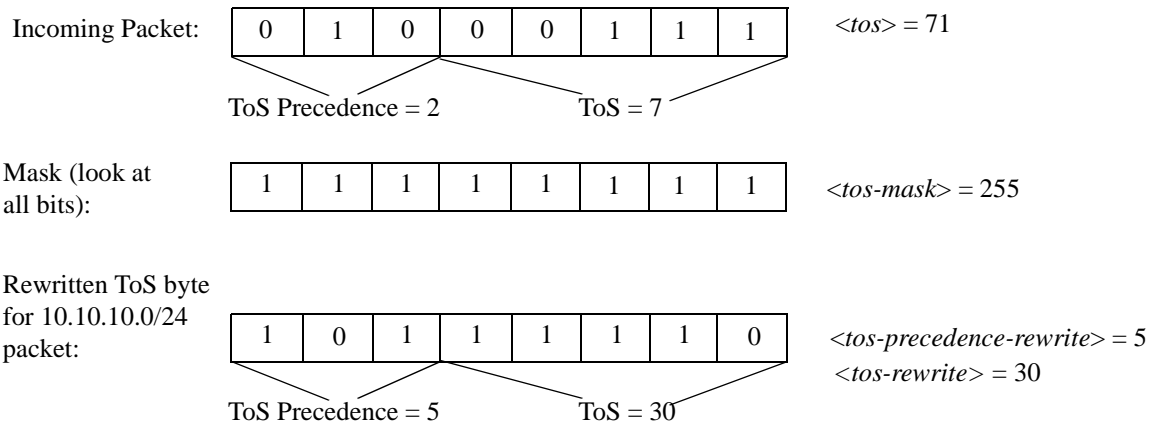
The ToS byte rewrite is part of the QoS priority classifier group. The entire ToS byte can be rewritten or only the precedence part of the ToS byte can be rewritten. If you specify a value for `<tos-precedence-rewrite>`, then only the upper three bits of the ToS byte are changed. If you set `<tos-precedence-rewrite>` to **any** and specify a value for `<tos-rewrite>`, then the upper three bits remain unchanged and the lower five bits are rewritten. If you specify values for both `<tos-precedence-rewrite>` and `<tos-rewrite>`, then the upper three bits are rewritten to the `<tos-precedence-rewrite>` value and the lower five bits are rewritten to the `<tos-rewrite>` value.

For example, the following command will rewrite the ToS Precedence field to 7 if the ToS Precedence field of the incoming packet is 6:

```
xp(config)# qos set ip tosp6to7 low any any any any 222 any any 224 7
```

In the above example, the `<tos>` value of 222 (binary value 1101 1110) and the `<tos-mask>` value of 224 (binary value 1110 0000) are ANDed together to specify the ToS Precedence field value of 6 (binary value 110). Changing the value in the `<tos-mask>` parameter determines the bit in the ToS octet field that will be examined.

The following example will rewrite the ToS Precedence and the ToS fields to 5 and 30 if the incoming packet is from the 10.10.10.0/24 network with the ToS Precedence field set to 2 and the ToS field set to 7. (In this example, the MBZ bit is included in the ToS field.) The figure below shows how the parameter values are derived.



The `<tos-mask>` value determines the ToS bit to be examined, which is all eight bits in this example. The following command configures the ToS rewrite for the example:

```
xp(config)# qos set ip tos30to7 low 10.10.10.0/24 any any any 71 any any 255 5 30
```

Monitoring QoS

The XP provides display of QoS statistics and configurations contained in the XP.

To display QoS information, enter the following commands in Enable mode:

Show all IP QoS flows.	qos show ip
Show all IPX QoS flows.	qos show ipx
Show all Layer-2 QoS flows.	qos show l2 all-destination all-flow ports <port-list> vlan <vlanID> source-mac <MACaddr> dest-mac <MACaddr>
Show RED parameters for each port.	qos show red [input port <port-list> all-ports][output port <port-list> all-ports][port <port-list> all-ports]
Show IP or IPX precedence values.	qos show precedence ip ipx
Show WFQ bandwidth allocated for each port.	qos show wfq [port <port-list> all-ports][input <slot num>] all-modules]
Show priority mappings.	qos show priority-map all

Limiting Traffic Rate

Note: Some commands in this facility require updated XP hardware. For a complete list of hardware and the features they support, consult the Release Notes on the Enterasys Networks web site: www.enterasys.com

Rate limiting provides the ability to control the usage of a fundamental network resource, bandwidth. It allows you to limit the rate of traffic (in bits per second) that flows through the specified interfaces, thus reserving bandwidth for critical applications. The XP supports the following types of rate limiting:

- **Per-flow Rate Limiting**—Configure policies that limit individual flows to a specified rate. This is the default rate limiting mode on the XP.
- **Aggregate Rate Limiting**—Configure policies that limit an aggregation of flows (all flows that match an ACL) to a specified rate. For example, you can limit traffic to or from a particular subnet. Since aggregate rate limiting is performed completely in hardware and must be enabled on a per-line card basis—if you enable aggregate rate limiting on a line card, you cannot use per-flow or flow-aggregate rate limiting with that card. Aggregate rate limiting mode also allows you to configure *port-level rate limiting* policies that limit traffic coming into a particular port. This type of policy can be used to limit any type of traffic.

Note: Aggregate rate limiting is supported on certain line cards only. Make sure the line card supports hardware rate limiting.

- **Software-based Flow-Aggregate Rate Limiting**—Configure policies that limit an aggregation of flows (all flows that match an ACL) to a specified rate. For example, limit traffic

to or from a particular subnet. This type of rate limiting is performed mostly in software. However, forwarding of packets is done in the hardware. Flow-aggregate rate limiting is designed for use with line cards that do not support aggregate rate limiting.

Note: You cannot use Flow-Aggregate Rate Limiting on line cards that support Aggregate Rate Limiting. Flow-Aggregate Rate Limiting allows you to rate limit the aggregation of flows where the hardware does not support aggregate rate limiting.

- **Port-level Rate Limiting**—Configure policies that limit traffic coming into a particular port. This type of policy can be used to limit any type of traffic and is enabled on a per line card basis. If you enable port-level rate limiting on a line card, you cannot use per-flow or flow-aggregate rate limiting with that card.
- **VLAN Rate Limiting**—Configure policies that limit traffic coming into a particular VLAN. This type of policy can be used to limit any type of traffic and is enabled on a per-VLAN basis.

Note: When you use the vlan rate limiting policy to limit outgoing traffic on a port belonging to a specified vlan, multicast and broadcast traffic will not be rate limited.

A *traffic profile* is used to define the traffic characteristics before an upper limit is assigned. The traffic profile is created using an ACL, which can utilize any combination of the parameters supported in IP ACL. A rate limiting policy can then be defined by using the ACL and traffic rate limitations. You define the action to be taken on the traffic that exceeds the upper limit. For example, dropping packets. Except for port rate limiting, the rate limiting policy is then applied to a logical IP interface.

Rate limiting policies works in one direction only. That is, only the traffic coming into the interface to which a policy is applied will be subject to rate limiting (except for output port rate limiting policies, which are applied to egress ports). If you need to rate limit incoming and outgoing traffic to a network or subnet, create and apply separate policies to each interface.

Note: You can configure a maximum of 24 port and aggregate rate limiting policies per XP line card.

Rate Limiting Modes

Per-flow and flow-aggregate rate limiting are enabled on the XP by default. If you need to create aggregate or input port-level rate limiting policies, you must enable the aggregate rate limiting mode on each affected line card. When you enable aggregate rate limiting mode on a line card, you cannot apply new per-flow or flow-aggregate rate limiting policies to interfaces on that card.

To enable aggregate or port-level rate limiting on a line card, enter the following command in Configure mode:

```
system enable aggregate-rate-limiting slot
```

The rate limiting mode can be changed only if there are no existing rate limiting policies. For example, before you can enable aggregate rate limiting on a line card, you need to delete any existing per-flow or flow-aggregate rate limiting policies on that line card.

Note: To change the rate limiting on the line card back to per-flow or flow-aggregate, negate the above command.

Per-Flow Rate Limiting

Use a per-flow rate limiting policy if an individual traffic flow needs to be limited to a particular rate. A single per-flow rate limiting policy can have multiple ACLs to define different traffic profiles and traffic rate limitations. When there are multiple traffic profiles, a sequence number is used to identify the order in which the profiles are applied.

Note: Per-flow rate limiting is enabled on the XP by default. If you enable aggregate rate limiting on a particular line card, you cannot apply per-flow rate limiting policies for ports on that line card.

To define a per-flow rate limit policy and apply the policy to an interface, enter the following commands in Configure mode:

Define a per-flow rate limit policy.	rate-limit <name> input acl <acl list> rate <rate-limit> exceed-action drop-packets set-priority-low set-priority-medium set-priority-high [sequence <number>]
Apply a per-flow rate limit profile to an interface.	rate-limit <name> apply interface <interface> all

Note: You cannot use non-IP ACLs for per-flow rate limit policies.

Software-Based Flow-Aggregate Rate Limiting

The Flow-Aggregate Rate Limiting policy allows you to limit an aggregation of flows to a particular rate. For example, you can use aggregate rate limiting to rate limit traffic to or from a particular subnet; however, you do not need to enable the aggregate rate limiting mode on the line card to use flow-aggregate rate limiting. See *Rate Limiting Modes* on page 337 for more information.

Note: You cannot use non-IP ACLs for flow-aggregate rate limit policies.

To define a flow-aggregate rate limit policy use the following commands in the Configure mode:

Define a software-based flow-aggregate rate limit policy.	rate-limit <name> flow-aggregate acl <acl list> rate <rate-limit> exceed-action drop-packets set-priority-low set-priority-medium set-priority-high sequence <number> min-bandwidth <bandwidth> distribute-among <flows>
Apply a flow-aggregate rate limit policy to an interface.	rate-limit <name> apply interface <interface> all

Port Rate Limiting

Use a port rate limiting policy if incoming or outgoing traffic on a particular port needs to be rate limited. Unlike other types of rate limiting policies, you do not specify an ACL when defining this type of policy. Port rate limiting policies do not need to be applied to an interface and take effect when they are created.

To configure port rate limiting policies for input ports, you must first enable the aggregate rate limiting mode on the line card (see *Rate Limiting Modes on page 337*). You do not need to enable the aggregate rate limiting mode to configure a policy to limit outgoing traffic on a port. You can configure port-level rate limiting policies on output ports in either per-flow or aggregate rate limiting mode.

To define a port rate limit policy, use the following commands in the Configure mode:

Define a port rate limit policy to limit incoming traffic on a port.	rate-limit <name> port-level input rate <rate-limit> port <port list>{ drop-packets no-action lower-priority lower-priority-except-control tos-precedence-rewrite <val1> tos-precedence-rewrite-lower-priority <val2>}
Define a port rate limit policy to limit outgoing traffic on a port.	rate-limit <name> port-level output port <port list> rate <rate-limit> drop-packets

Note that for output port policies, the only action that you can specify if traffic exceeds the specified rate is to drop packets.

If you configure output port policies, all types of outgoing IP traffic will be rate limited, including control traffic. If you do not want control traffic to be subject to rate limiting, enter the following command in the Configure mode:

Specify that control traffic is not subject to output port rate limiting.	rate-limit <name> port-level slot <slot-number> ignore-control-priority
---	--

Because you specify a slot number in the above command, output port rate limiting policies on any port on the specified slot will not be applied to control traffic.

VLAN Rate Limiting

Use a VLAN rate limiting policy if incoming or outgoing traffic on a particular VLAN needs to be rate limited. Like Port rate limiting policies, you do not specify an ACL when defining this type of policy. VLAN rate limiting policies do not need to be applied to an interface and take effect when they are created. To configure VLAN rate limiting policies you must be in per-flow mode (see *Rate Limiting Modes on page 337*) and you must have L4-bridging enabled on the VLAN (see *Layer-4 Bridging and Filtering on page 320*).

To define a VLAN rate limiting policy, enter one of the following commands in Configure mode:

Define a VLAN rate limiting policy to limit incoming traffic on a vlan.	rate-limit <name> vlan <name> port <port list> <all-ports> rate <rate-limit> exceed-action <drop-packets> <set-priority-low> <set-priority-medium> <set-priority-high>
Define a VLAN rate limiting policy to limit outgoing traffic on a port belonging to a specific vlan.	rate-limit <name> vlan <name> port <port list all-ports> destport <port list all-ports> rate <rate-limit> exceed-action <drop-packets> <set-priority-low> <set-priority-medium> <set-priority-high>

Aggregate Rate Limiting

Use an aggregate rate limiting policy if an aggregation of flows needs to be limited to a particular rate. For example, you can use aggregate rate limiting to rate limit traffic to or from a particular subnet.

Note: You cannot apply an aggregate rate limiting policy to an interface that spans ports on more than one line card. For example, you cannot apply an aggregate rate limiting policy to the interface ip2, if it interfaces to a VLAN that consists of ports et.1.(1-4) and et.2.(1-4).

To configure aggregate rate limiting policies, you must first enable aggregate rate limiting mode on the line card (see *Rate Limiting Modes* on page 337). To define an aggregate rate limit policy and apply the policy to an interface, use the following commands in the Configure mode:

Define an aggregate rate limit policy.	rate-limit <name> aggregate acl <acl list> rate <rate-limit> { drop-packets no-action lower-priority lower-priority-except-control tos-precedence-rewrite <val1> tos-precedence-rewrite-lower-priority <val2>} [allocate-resources during-apply during-traffic]
Apply an aggregate rate limit policy to an interface.	rate-limit <name> apply interface <interface> all

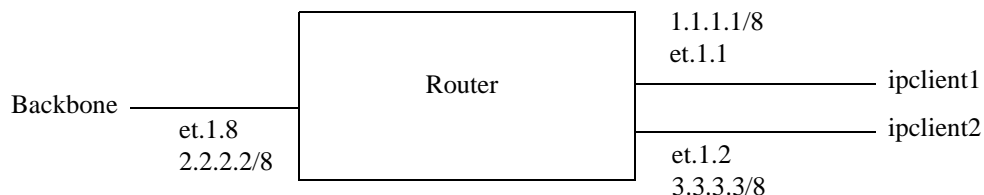
Note: You cannot use non-IP ACLs for aggregate rate limit policies.

Example Configurations

This section includes examples of rate limiting policy configurations.

Per-Flow Rate Limiting

The following is an example of configuring per-flow rate limiting on the XP.



Traffic from two interfaces, ipclient1 with IP address 1.2.2.2 and ipclient2 with IP address 3.1.1.1, is restricted to 10 Mbps for each flow with the following configuration:

```

vlan create client1 ip
vlan create backbone ip
vlan create client2 ip
vlan add ports et.1.1 to client1
vlan add ports et.1.2 to client2
vlan add ports et.1.8 to backbone
interface create ip ipclient1 vlan client1 address-netmask 1.1.1.1/8
interface create ip ipclient2 vlan client2 address-netmask 3.3.3.3/8
interface create ip backbone vlan backbone address-netmask 2.2.2.2/8
acl 100 permit ip 1.2.2.2
acl 200 permit ip 3.1.1.1
rate-limit client1 input acl 100 rate 10000000 exceed-action drop-packets
rate-limit client2 input acl 200 rate 10000000 exceed-action drop-packets
rate-limit client1 apply interface ipclient1
rate-limit client2 apply interface ipclient2
  
```

Flow-Aggregate Rate Limiting

In the following example, traffic from the subnetwork 122.132.0.0/16 to the Internet will be rate limited to 256 Kbps while traffic to the subnetwork will be rate limited to 64 Kbps.

```

acl cust1 permit ip any 122.132.0.0/16
acl cust1 permit ip 122.132.0.0/16 any
rate-limit cust1 flow-aggregate acl cust1 rate 256000 exceed-action drop-packets min-bandwidth 4000
rate-limit apply cust1 interface tonet
rate-limit cust1 flow-aggregate acl cust1 rate 64000 exceed-action drop-packets min-bandwidth 2000
rate-limit apply cust1 interface in1
  
```

Aggregate Rate Limiting

In the following example, incoming FTP and HTTP traffic to the subnetwork 122.132.0.0/16 will be rate limited to 4 Mbps and 2 Mbps, respectively:

```
system enable aggregate-rate-limiting slot 1
interface create ip engintf address-netmask 122.132.10.23/16 port et.1.6
acl engftp permit ip 122.132.0.0/16 any any 20
rate-limit engftp aggregate acl engftp rate 4000000 drop-packets
acl enghttp permit ip 122.132.0.0/16 any any 80
rate-limit enghttp aggregate acl enghttp rate 2000000 drop-packets
rate-limit engftp apply interface engintf
rate-limit enghttp apply interface engintf
```

In the above example, the first configuration command is needed to enable the aggregate rate limiting mode on the line card in slot 1 (per-flow is the default rate limiting mode).

Displaying Rate Limit Information

To show information about rate limit policies, use the following command in the Enable mode:

Show rate limit policy information.	rate-limit show all policy-type <type> policy-name <name> interface <interface> {port-level <port> <name>} rate-limiting-mode
-------------------------------------	--

Chapter 25

Performance Monitoring Guide

Performance Monitoring Overview

The XP is a full wire-speed Layer-2, -3 and -4 switching router. As packets enter the XP, Layer-2, -3, and -4 flow tables are populated on each line card. The flow tables contain information on performance statistics and traffic forwarding. Thus the XP provides the capability to monitor performance at Layer-2, -3, and -4. Layer-2 performance information is accessible to SNMP through MIB-II and can be displayed by using the **l2-tables** command in the CLI. Layer-3 and -4 performance statistics are accessible to SNMP through RMON/RMON2 and can be displayed by using the **statistics show** command in the CLI. In addition to the monitoring commands listed, you can find more monitoring commands listed in each chapter of the *Enterasys X-Pedition Command Line Interface Reference Manual*.

To access statistics on the XP, enter any of the following commands in Enable mode:

Show DVMRP routes.	dvmrp show routes
Show all TCP/UDP connections and services.	ip show connections
Show all IP routes.	ip show routes
Show all IPX routes.	ipx show tables routing
Show all MAC addresses currently in the L2 tables.	l2-tables show all-macs
Show info about MACs residing in a port's L2 table.	l2-tables show port-macs <port-list>
Show all L2 flows (for ports in flow-bridging mode).	l2-tables show all-flows

Show information about the master MAC table.	l2-tables show mac-table-stats
Show information about a particular MAC address.	l2-tables show mac
Show info about multicasts registered by IGMP.	l2-tables show igmp-mcast-registrations
Show whether IGMP is on or off on a VLAN.	l2-tables show vlan-igmp-status
Show info about MACs registered by the system.	l2-tables show bridge-management
Show SNMP statistics.	snmp show statistics
Show ICMP statistics.	statistics show icmp
Show IP interface's statistics.	statistics show ip
Show unicast routing statistics.	statistics show ip-routing
Show IPX statistics.	statistics show ipx
Show IPX interface's statistics.	statistics show ipx-interface
Show IPX routing statistics.	statistics show ipx-routing
Show multicast statistics.	statistics show multicast
Show port error statistics.	statistics show port-errors
Show port normal statistics.	statistics show port-stats
Show RMON etherStats statistics.	statistics show rmon
Show traffic summary statistics.	statistics show summary-stats
Show most active tasks.	statistics show most-active
Show TCP statistics.	statistics show tcp
Show UDP statistics.	statistics show udp
Show TACACS server statistics.	tacacs show stats
Show broadcast monitoring information for ports.	port show bmon [config][detail][port <port list>][stats]
Show all VLANs.	vlan list

Configuring the XP for Port Mirroring

The XP allows you to monitor activity with port mirroring. Port mirroring allows you to monitor the performance and activities of ports on the XP or for traffic defined by an ACL through one or more separate ports. While in Configure mode, you can configure your XP for port mirroring with a simple command line like the following:

Configure Port Mirroring.	port mirroring dst-ports <port_list> [src-ports <port_list> src-acl <acl_name>]
---------------------------	---

- Note:**
- Port mirroring is available for WAN ports. However, you cannot configure port mirroring on a port-by-port basis. (You can only configure port mirroring for the entire WAN card).
 - Only IP ACLs can be specified for port mirroring.

For additional information, see *Port Mirroring on page 317*.

Monitoring Broadcast Traffic

The XP allows you to monitor broadcast traffic for one or more ports, and for the control module. You can specify that a port be shut down if its broadcast traffic reaches a certain rate limit for a particular period of time. Additionally, you can configure the XP to shut down for a specified period, if the packets sent to the control module reach a certain limit during a specified time interval. Packets to be monitored can be limited to broadcast packets only or all packets.

To specify the monitoring of broadcast traffic and the shut down threshold for one or more ports, enter the following command in Configure mode:

Configure monitoring of broadcast traffic.	port bmon <port list> rate <number> duration <number> shutdown <number> packets-limited all broadcast
--	---

Chapter 26

RMON Configuration Guide

RMON Overview

You can employ Remote Network Monitoring (RMON) to help monitor traffic at remote points on the network. With RMON, data collection and processing is done with a remote *probe*, namely the XP. The XP also includes RMON *agent* software that communicates with a network management station via SNMP. Because information transmits from the XP to the management station only when required, SNMP traffic on the network and the management station's processing load are reduced.

The XP provides support for both RMON 1 and RMON 2 MIBs, as specified in RFCs 1757 and 2021, respectively. While non-RMON SNMP products allow the monitoring and control of specific network *devices*, RMON 1 returns statistics on network *segments* at the MAC layer. RMON 2 collects statistics on network and application layer *traffic* to show host-to-host connections and the applications and protocols being used. For example, the RMON 2 network layer matrix MIB group can show protocol-specific traffic between pairs of systems which can help to diagnose protocol problems. Note that RMON 2 is not a superset of RMON 1; on the XP, you can configure both RMON 1 and RMON 2 statistics collection.

Note: RMON1 (RFC1757) statistic accounts for bridged traffic in host and matrix statistics, but **not** routed traffic. RMON2 (RFC2021) accounts for routed traffic in host, matrix, and protocol distribution statistics, but **not** bridged traffic. This is a hardware limitation.

Memory Allocation Requirements

The memory used by RMON is determined automatically by the number of ports and the level of functionality (i.e., lite, standard, or professional) you select. When you use the **rmon enable** command, the RMON memory allocation requirements for your system are calculated using the following values

Table 11. RMON Memory Allocation Requirements

500k	base initialization
60k	lite only (per port)
120k	standard only (per port)
140k	professional only (per port)
140k	lite and standard (per port)
160k	lite and professional (per port)
220k	standard and professional (per port)
240k	lite, standard, and professional (per port)

The table below lists the maximum amount of additional memory you may manually allocate with the “**rmon set memory**” command:

XP-2000 12M	XP-8000 32M	XP-8600 96M	ER16 96M
-----------------------	-----------------------	-----------------------	--------------------

To manually allocate additional memory, use the following:

```
rmon set memory <memory in Megabytes>
```

When you remove the “**rmon enable**” command, the RMON functionality is disabled and all of the memory set aside for its use is returned to the system.

Examples

The examples below demonstrate RMON memory allocation:

32-port XP-2000 with lite and standard enabled:

$$500k + (32 * 140k) = 4.98M \text{ of memory}$$

120-port XP-8600 with lite, standard, and professional enabled:
 $500k + (120 * 240k) = 29.3M$ of memory

Configuring and Enabling RMON

By default, RMON is disabled on the XP. To configure and enable RMON on the XP, follow these steps:

1. Turn on the Lite, Standard, or Professional RMON groups by entering the **rmon set lite|standard|professional** command. You can also configure default control tables for the Lite, Standard, or Professional RMON groups by including the **default-tables yes** parameter.
2. Enable RMON on specified ports with the **rmon set ports** command.
3. Optionally, you can configure control tables for the Lite, Standard, or Professional RMON groups. For example, if you chose *not* to create default control tables for the Lite, Standard, or Professional groups, you can configure control table entries for specific ports on the XP.
4. Use the **rmon enable** command to enable RMON on the XP.

Example of RMON Configuration Commands

The following are examples of the commands to configure and enable RMON on the XP:

```

1: port flow-bridging et.5.(3-8) *
!
2: interface add ip en0 address-netmask 10.50.6.9/16
!
3: system set contact "usama"
4: system set location Enterasys Networks
5: system set name "xp"
!
6: rmon set ports all-ports
7: rmon set lite default-tables yes
8: rmon set standard default-tables yes
!
! Set RMON Pro Group with Default Tables ON, cap memory at 4 meg
! Pro: protocolDir, protocolDist, addressMap, al/nl-Matrix, al/nl-Host,
! al/nl-matrixTopN, userHistory, probeConfig.
! Default Tables: one control row per dataSource for protocolDist,
! addressMap, al/nl-Host, al/nl-Matrix.
!
9: rmon set professional default-tables yes
10: rmon set memory 4
11: rmon enable

```

* To collect layer 2 matrix information, port must be configured for flow-bridging mode. By default, ports on the XP operate in address-bridging mode.

The next sections describe Lite, Standard, and Professional RMON groups and control tables.

RMON Groups

The RMON MIB groups are defined in RFCs 1757 (RMON 1) and 2021 (RMON 2). On the XP, you can configure one or more levels of RMON support for a set of ports. Each level—Lite, Standard, or Professional—enables different sets of RMON groups (described later in this section). You need to configure at least one level before you can enable RMON on the XP.

To specify the support level for RMON groups, use the following CLI command line in Configure mode:

Specifies Lite, Standard, or Professional RMON groups.	rmon set lite standard professional default-tables yes no
--	--

To specify the ports on which RMON is to be enabled, use the following CLI command line in Configure mode:

Specifies the ports on which RMON is enabled.	rmon set ports <port list> allports
---	--

You can configure each level of RMON support independently of each other with default tables on or off. For example, you can configure Lite with default tables on for ports et.1.(1-8) and then configure Standard with no default tables for the same ports. You cannot configure Lite on one set of ports and Standard on another set of ports.

Lite RMON Groups

This section describes the RMON groups that are enabled when you specify the Lite support level. The Lite RMON groups are shown in the table below.

Table 12. Lite RMON Groups

Group	Function
EtherStats	Records Ethernet statistics (for example, packets dropped, packets sent, etc.) for specified ports.
Event	Controls event generation and the resulting action (writing a log entry or sending an SNMP trap to the network management station).
Alarm	Generates an event when specified alarm conditions are met.
History	Records statistical samples for specified ports.

Standard RMON Groups

This section describes the RMON groups that are enabled when you specify the Standard support level. The Standard RMON groups are shown in the table below.

Table 13. Standard RMON Groups

Group	Function
Host	Records statistics about the hosts discovered on the network.
Host Top N	Gathers the top n hosts, based on a specified rate-based statistic. This group requires the hosts group.
Matrix	Records statistics for source and destination address pairs.
Filter	Specifies the type of packets to be matched and how and where the filtered packets should flow (the channel).
Packet Capture	Specifies the capture of filtered packets for a particular channel.

Professional RMON Groups

The Professional RMON groups correspond to the RMON 2 groups defined in RFC 2021. While RMON 1 groups allow for the monitoring of packets at the MAC layer, RMON 2 groups focus on monitoring traffic at the network and application layers.

The Professional RMON groups are shown in the table below.

Table 14. Professional RMON Groups

Group	Function
Protocol Directory	Contains a list of protocols supported by the XP and monitored by RMON. See the RMON 2 Protocol Directory appendix in the <i>Enterasys X-Pedition Command Line Interface Reference Manual</i> .
Protocol Distribution	Records the packets and octets for specified ports on a per protocol basis.
Application Layer Host	Monitors traffic at the application layer for protocols defined in the protocol directory.
Network Layer Host	Monitors traffic at the network layer for protocols defined in the Protocol Directory.
Application Layer Matrix (and Top N)	Monitors traffic at the application layer for protocols defined in the Protocol Directory. Top N gathers the top n application layer matrix entries.

Table 14. Professional RMON Groups

Group	Function
Network Layer Matrix (and Top N)	Monitors traffic at the network layer for protocols defined in the Protocol Directory. Top N gathers the top n network layer matrix entries.
Address Map	Records MAC address to network address bindings discovered for specified ports.
User History	Records historical data on user-defined statistics.

Control Tables

Many RMON groups contain both control and data tables. Control tables specify what statistics are to be collected. For example, you can specify the port for which statistics are to be collected and the owner (name, phone, or IP address) for that port. You can change many of the entries in a control table with **rmon** commands. Data tables contain the collected statistics. You cannot change any of the entries in a data table; you can only view the data.

When you specify the Lite, Standard, or Professional RMON groups, you have the option of creating default control tables. A default control table creates a control table entry for every port on the XP. Creating default control tables essentially configures data collection for every port on the XP for certain RMON groups. If you do not want this, you can choose not to create the default control tables and then configure the appropriate control tables for the data you wish to collect. Even if you use the default control tables, you can always use the **rmon** commands to modify control table entries.

If you choose to create default control tables, entries are created in the control tables for each port on the XP for the following groups:

Lite groups:	Etherstats History
Standard groups:	Host Matrix
Professional groups:	Protocol Distribution Address Map Application Layer/Network Layer Host Application Layer/Network Layer Matrix

A row in the control table is created for each port on the XP, with the owner set to “monitor”. If you want, you can change the owner by using the appropriate **rmon** command. See the section [Configuring RMON Groups](#) in this chapter for more the command to configure a specific group.

Note: Control tables other than the default control tables must be configured with CLI commands, as described in [Configuring RMON Groups](#).

Using RMON

RMON on the XP allows you to analyze network traffic patterns, set up alarms to detect potential problems before they turn into real congestive situations, identify heavy network users to assess their possible candidacy for moves to dedicated or higher speed ports, and analyze traffic patterns to facilitate more long-term network planning.

RMON 1 provides layer 2 information. Traffic flowing through the XP's layer 2 ASIC is collected by RMON 1 groups. RMON 2 in the XP provides layer 3 traffic information for IP and IPX protocols. Traffic flowing through the XP's layer 3 ASIC is collected by RMON 2 groups. The XP's RMON 2 protocol directory contains over 500 protocols that can be decoded for UDP and TCP ports. You can use RMON to see the kinds of protocol traffic being received on a given port.

For example, use the **rmon show protocol-distribution et.5.5** command to see the kinds of traffic received on a given port:

```

xp# rmon show protocol-distribution et.5.5
RMON II Protocol Distribution Table

Index: 506, Port: et.1.7, Owner: monitor
  Pkts  Octets  Protocol
  ---  -
  19    1586   ether2
  19    1586   ether2.ip-v4
  19    1586   *ether2.ip-v4
  2     192    *ether2.ip-v4.icmp
  17    1394   *ether2.ip-v4.tcp
  17    1394   *ether2.ip-v4.tcp.www-http

```

In the example output above, only HTTP and ICMP traffic is being received on this port.

To find out which host or user is using these applications/protocols on this port, use the following command:

```

xp# rmon show al-matrix et.5.5
RMON II Application Layer Host Table

Index: 500, Port: et.5.5, Inserts: 4, Deletes: 0, Owner: monitor
SrcAddr  DstAddr  Packets  Octets  Protocol
-----  -
10.50.89.88  15.15.15.3  1771  272562 *ether2.ip-v4
10.50.89.88  15.15.15.3  1125  211192 *ether2.ip-v4.tcp
10.50.89.88  15.15.15.3  1122  210967 *ether2.ip-v4.tcp.telnet
10.50.89.88  15.15.15.3   3    225   *ether2.ip-v4.tcp.www-http

```

Configuring RMON Groups

As mentioned previously, control tables in many RMON groups specify the data that is to be collected for the particular RMON group. If the information you want to collect is in the default control tables, then you only need to turn on the default tables when you specify the RMON groups (Lite, Standard, or Professional); you do not need to configure entries in the default tables.

The following table shows the **rmon** command that you use to configure each RMON group:

To configure the Address Map group.	rmon address-map index <index-number> { port <port> [owner <string>] [status enable disable]} max-number <number>
To configure the Application Layer Matrix top n entries.	rmon al-matrix-top-n index <index-number> matrix-index <number> ratebase terminal-packets terminal-octets all-packets all-octets duration <number> size <number> [owner <string>] [status enable disable]
To configure the Alarm group.	rmon alarm index <index-number> variable <string> [interval <seconds>] [falling-event-index <num>] [falling-threshold <num>] [owner <string>] [rising-event-index <num>] [rising-threshold <num>] [startup rising falling both] [status enable disable] [type absolute-value delta-value]
To configure the Packet Capture group.	rmon capture index <index-number> channel-index <number> [full-action lock wrap] [slice-size <number>] [download-slice-size <number>] [download-offset <number>] [max-octets <number>] [owner <string>] [status enable disable]
To configure the Filter group, you must configure both the Channel and Filter control tables.	rmon channel index <index-number> port <port> [accept-type matched failed] [data-control on off] [turn-on-event-index <number>] [turn-off-event-index <number>] [event-index <number>] [channel-status ready always-ready][description <string>] [owner <string>] [status enable disable] rmon filter index <index-number> channel-index <number> [data-offset <number>] [data <string>] [data-mask <string>] [data-not-mask <string>] [pkt-status <number>] [status-mask <number>] [status-not-mask <number>] [owner <string>] [status enable disable]
To configure the Etherstats group.	rmon etherstats index <index-number> port <port> [owner <string>] [status enable disable]
To configure the Event group.	rmon event index <index-number> type none log trap both [community <string>] [description <string>] [owner <string>] [status enable disable]

To configure the History group.	rmon history index <index-number> port <port> [interval <seconds>] [owner <string>] [samples <num>] [status enable disable]
To configure the Application Layer and Network Layer Host groups.	rmon hl-host index <index-number> port <port> nl-max-entries <number> al-max-entries <number> [owner <string>] [status enable disable]
To configure the Application Layer and Network Layer Matrix groups.	rmon hl-matrix index <index-number> port <port> nl-max-entries <number> al-max-entries <number> [owner <string>] [status enable disable]
To configure the Host group.	rmon host index <index-number> port <port> [owner <string>] [status enable disable]
To configure the Host Top N entries.	rmon host-top-n index <index-number> host-index <number> [base <statistics>] [duration <time>] [size <size>] [owner <string>] [status enable disable]
To configure the Matrix group.	rmon matrix index <index-number> [port <port>] [owner <string>] [status enable disable]
To configure the Network Layer Matrix top n entries.	rmon nl-matrix-top-n index <index-number> matrix-index <number> ratebase terminal-packets terminal-octets all-packets all-octets duration <number> size <number> [owner <string>] [status enable disable]
To configure the Protocol Distribution group.	rmon protocol-distribution index <index-number> port <port> [owner <string>] [status enable disable]
To configure the User History group, you must configure the group of objects to be monitored and apply the objects in the group to the User History control table.	rmon user-history-control index <index-number> objects <number> samples <number> interval <number> [owner <string>] [status enable disable] rmon user-history-objects <groupname> variable <oid> type absolute delta [status enable disable] rmon user-history-apply <groupname> to <user-history-index>

Configuration Examples

This section shows examples of configuration commands that specify an event that generates an SNMP trap and the alarm condition that triggers the event.

The RMON Alarm group allows the XP to poll itself at user-defined intervals. Alarms that constitute an event are logged into the Event table that can then be polled by the management station. The management station is able to poll more network devices this way, as it only needs to poll the RMON Event table and not the device itself. The management station can also be sent trap information.

The following examples configure the XP to create an event when a module is hot swapped into the chassis or any new IP interface is configured. The managed object ifTableLastChanged from RFC 2233) has an object identifier (OID) of 1.3.6.1.2.1.31.1.5.0 and the XP will poll this OID every 5 minutes (300 seconds).

The command line below is an example of an RMON Event group configuration with the following attributes:

- Index number 15 to identify this entry in the Event control table.
- The event is both logged in the Event table and an SNMP trap generated with the community string “public”.
- Event owner is “help desk”.

```
xp#(config) rmon event index 15 type both community public description “Interface added or  
module hot swapped in” owner “help desk”
```

The command line below is an example of an RMON Alarm group configuration with the following attributes:

- Index number 20 to identify this entry in the Alarm control table.
- The OID 1.3.6.1.2.1.31.1.5.0 identifies the attribute to be monitored.
- Samples taken at 300 second (5 minute) intervals.
- A “Startup” alarm generation condition instructing the XP to generate an alarm if the sample is greater than or equal to the rising threshold or less than or equal to the falling threshold.
- Compare value at time of sampling (absolute value) to the specified thresholds.
- Rising and falling threshold values are 1.
- Rising and falling event index values are 15, which will trigger the previously-configured Event.

```
xp#(config) rmon alarm index 20 variable 1.3.6.1.2.1.31.1.5.0 interval 300 startup both type absolute-  
value rising-threshold 1 falling-threshold 1 rising-event-index 15 falling-event-index 15 owner  
“help desk”
```

Displaying RMON Information

The CLI **rmon show** commands allow you to display the same RMON statistics that can be viewed from a management station. To display RMON statistics for the XP, use the following CLI command lines in Enable mode:

To show Ethernet statistics.	rmon show etherstats <port-list> all-ports
To show all events and logs.	rmon show events
To show all alarms.	rmon show alarms
To show histories and logs.	rmon show history <port-list> all-ports
To show hosts and logs.	rmon show hosts <port-list> all-ports [summary]
To show all Host Top N and logs.	rmon show host-top-n
To show matrices and logs.	rmon show matrix <port-list> all-ports
To show all channels.	rmon show channels
To show all filters.	rmon show filters
To show all packet captures and logs.	rmon show packet-capture
To display the RMON 2 Protocol Directory.	rmon show protocol-directory
To display the RMON 2 Protocol Distribution.	rmon show protocol-distribution <port-list> all-ports
To display the RMON 2 Address Map table.	rmon show address-map <port-list> all-ports
To show Network Layer Host logs.	rmon show nl-host <port-list> all-ports [summary]
To show Application Layer Host logs.	rmon show al-host <port-list> all-ports [summary]
To show Network Layer Matrix logs.	rmon show nl-matrix <port-list> all-ports [order-by srcdst dstsrc] [summary]
To show Application Layer Matrix logs.	rmon show al-matrix <port-list> all-ports [order-by srcdst dstsrc] [summary]
To show all Network Layer Matrix Top N.	rmon show nl-matrix-top-n
To show all Application Layer Matrix Top N.	rmon show al-matrix-top-n

To show all user history logs.	rmon show user-history
To show probe configuration.	rmon show probe-config [basic] [net-config] [trap-dest]

¹To display Ethernet statistics and related statistics for WAN ports, RMON has to be activated on that port.

Note: WAN traffic received on a WAN port reflects on the first physical port of the module only.

To activate RMON on a port, use the **frame-relay define service** or **ppp define service** command, and the **frame-relay apply service** or **ppp apply service** command. For additional information, refer to *Setting up a Frame Relay Service Profile on page 377* (for frame relay) and *Setting up a PPP Service Profile on page 381* (for PPP).

RMON CLI Filters

Because a large number of statistics can be collected for certain RMON groups, you can define and use CLI filters to limit the amount of information displayed with the **rmon show** commands. An RMON CLI filter can only be applied to a current Telnet or Console session.

The following shows Host table output *without* a CLI filter:

```

xp# rmon show hosts et.5.4
RMON I Host Table

Index: 503, Port: et.5.4, Owner: monitor
Address      InPkts  InOctets  OutPkts  OutOctets  Bcst  Mcst
-----
00001D:921086    0      0      102     7140      0      0
00001D:9D8138  1128    75196     885    114387     0      0
00001D:A9815F    0      0      102     7140      0      0
00105A:08B98D    0      0      971    199960     0      0
004005:40A0CD    0      0       51     3264      0      0
006083:D65800    0      0     2190    678372     0      0
0080C8:E0F8F3    0      0      396     89818     0      0
00E063:FDD700    0      0      104     19382     0      0
01000C:CCCCC    2188    678210     0      0      0      0
01005E:000009   204    14280     0      0      0      0
0180C2:000000  1519    97216     0      0      0      0
030000:000001   168    30927     0      0      0      0
080020:835CAA   885    114387    1128    75196     0      0
980717:280200    0      0     1519    97216     0      0
AB0000:020000    2     162      0      0      0      0
FFFFFF:FFFFFF   1354   281497     0      0      0      0

```

The following shows the same **rmon show hosts** command with a filter applied so that only hosts with inpkts greater than 500 are displayed:

```

xp# rmon apply cli-filter 4
xp# rmon show hosts et.5.4
RMON I Host Table
Filter: inpkts > 500
Address   Port      InPkts  InOctets  OutPkts  OutOctets  Best  Mest
-----
00001D:9D8138 et.5.4    1204    80110    941    121129    0    0
01000C:CCCCC et.5.4     2389    740514    0      0    0    0
0180C2:000000 et.5.4    1540    98560    0      0    0    0
080020:835CAA et.5.4     940    121061    1204   80110    0    0
FFFFFF:FFFFFF et.5.4    1372    285105    0      0

```

RMON CLI filters can only be used with the following groups:

- Hosts
- Matrix
- Protocol Distribution
- Application Layer Host
- Network Layer Host
- Application Layer Matrix
- Network Layer Matrix

Creating RMON CLI Filters

To create RMON CLI filters, use the following CLI command in Configure mode:

Creates an RMON CLI filter.	rmon set cli-filter <filter-id> <parameter>
-----------------------------	--

Using RMON CLI Filters

To see and use RMON CLI filters, use the following CLI command in User or Enable mode:

Displays RMON CLI filters.	rmon show cli-filters
Applies a CLI filter on current Telnet or Console session.	rmon apply cli-filters <filter-id>
Clears the currently-selected CLI filter.	rmon clear cli-filter

Troubleshooting RMON

If you are not seeing the information you expected with an **rmon show** command, or if the network management station is not collecting the desired statistics, first check that the port is up. Then, use the **rmon show status** command to check the RMON configuration on the XP.

Check the following fields on the **rmon show status** command output:

```

xp# rmon show status
RMON Status
-----
* RMON is ENABLED ❶
* RMON initialization successful.

      ❷
+-----+
| RMON Group Status |
+-----+-----+
| Group | Status | Default |
+-----+-----+
| Lite  | On   | Yes  | ❸
+-----+-----+
| Std   | On   | Yes  |
+-----+-----+
| Pro   | On   | Yes  |
+-----+-----+

RMON is enabled on: et.5.1, et.5.2, et.5.3, et.5.4, et.5.5, et.5.6, et.5.7, et.5.8 ❹

RMON Memory Utilization
-----
      Total Bytes Available: 48530436

Total Bytes Allocated to RMON: 4000000
      Total Bytes Used: 2637872 ❺
      Total Bytes Free: 1362128
    
```

1. Make sure that RMON has been enabled on the XP. When the XP is booted, RMON is off by default. RMON is enabled with the **rmon enable** command.
2. Make sure that at least one of the RMON support levels—Lite, Standard, or Professional—is turned on with the **rmon set lite|standard|professional** command.
3. Make sure that RMON is enabled on the port for which you want statistics. Use the **rmon set ports** command to specify the port on which RMON will be enabled.
4. Make sure that the control table is configured for the report that you want. Depending upon the RMON group, default control tables may be created for all ports on the XP. Or, if the RMON group is not one for which default control tables can be created, you will need to configure control table entries using the appropriate **rmon** command.

If you or your application are unable to create a control table row, check the **snmp show status** output for errors. Make sure that there is a read-write community string. Verify that you can ping the XP and that no ACLs prevent you from using SNMP to access the XP.

5. Make sure that RMON has not run out of memory.

Allocating Memory to RMON

RMON allocates memory depending on the number of ports enabled for RMON, the RMON groups that have been configured, and whether or not default tables have been turned on or off. Enabling RMON with all groups (Lite, Standard, and Professional) with default tables uses approximately 300 Kbytes per port. If necessary, you can dynamically allocate additional memory to RMON.

To display the amount of memory that is currently allocated to RMON, use the following CLI command in Enable mode:

Displays the memory allocated to RMON.	rmon show status
--	-------------------------

Any memory allocation failures are reported. The following is an example of the information shown with the **rmon show status** command:

```
xp# rmon show status
RMON Status
-----
* RMON is ENABLED
* RMON initialization successful.

+-----+
| RMON Group Status |
+-----+-----+
| Group | Status | Default |
+-----+-----+
| Lite | On | Yes |
+-----+-----+
| Std | On | Yes |
+-----+-----+
| Pro | On | Yes |
+-----+-----+

RMON is enabled on: et.5.1, et.5.2, et.5.3, et.5.4, et.5.5, et.5.6, et.5.7, et.5.8

RMON Memory Utilization
-----
Total Bytes Available: 48530436
Total Bytes Allocated to RMON: 4000000
Total Bytes Used: 2637872
Total Bytes Free: 1362128
```

To set the amount of memory allocated to RMON, use the following CLI command in User or Enable mode:

Specifies the total amount of Mbytes of memory allocated to RMON.	rmon set memory <number>
---	---------------------------------

Chapter 27

NetFlow Configuration Guide

NetFlow Overview

Due to increased demand for bandwidth performance, predictability in quality of service, multimedia services, and network security, NetFlow measurement technology emerged. Although several definitions for “flow” exist, this document uses the following:

A *flow* is a set of packets passing an observed point in the network during a specific time interval. All packets belonging to a particular flow have a set of common properties derived from the data contained in the packet, from packet reception, or from packet treatment at the observing device. The *observed point* is the point in the router where flows are learned. Properties derived from packet reception include the interface at which the packet arrived and some fine grained sub-IP information.

NetFlow allows you to collect detailed network flow data to accurately depict network and application resource utilization.

Note: In order to run NetFlow, you must *enable* SNMP.

Note: **Do not** run NetFlow and RMON Professional simultaneously.

Common NetFlow Applications

The following section contains a series of applications that require NetFlow. Because requirements for NetFlow are derived from these applications, their selection is crucial. The goal of this document is not to cover all possible applications with all their requirements, but to cover applications which are of significant importance in today's and future IP networks, and to identify which requirements can be met with reasonable technical effort.

Please note, that the described applications can have a large number of differing implementations. Requirement details or the weighting of requirements may differ for specific implementations; therefore, the requirements derive from the general functionality of the selected applications. Furthermore, the list of applications should lead to a better understanding of the requirements—particularly important when designing or implementing a traffic flow measuring device.

Usage Accounting

NetFlow data provides fine-grained metering for highly flexible and detailed resource utilization accounting (e.g., flow data includes IP addresses, packet and byte counts, timestamps, type-of-service and application ports). Service providers may utilize this information to migrate away from single-fee or flat-rate billing to more flexible charging mechanisms based on time of day, bandwidth usage, application usage, quality of service, or volume. Enterprise customers may use the information to establish a departmental charge-back or cost allocation for resource utilization.

Traffic Profiling

Traffic profiling is the process of characterizing IP flows and flow aggregates by using a model to represent key parameters of the flow (e.g., flow duration, volume, and burstiness). It is a prerequisite for network planning, network dimensioning, trend analysis, developing business models, and other activities. Traffic profiling depends heavily on the particular traffic profiling objective(s)—what statistics and level of accuracy are required from the measurements. Typical information needed for traffic profiling includes the distribution of used services and protocols in the network, the amount of packets of a specific type (e.g., percentage of IPv6 packets) and specific flow profiles.

Since objectives for traffic profiling vary, this application requires a highly flexible measurement infrastructure—especially with regard to the options for measurement configuration and packet classification.

Traffic Engineering

NetFlow enables network managers to gain a detailed, time-based view of application usage over the network. NetFlow data provides key information necessary to optimize strategic network planning and tactical network engineering decisions—whom to peer with, backbone upgrade planning, and routing policy planning. With this data, content and service providers can plan and allocate network and application resources (e.g., Web server sizing and location) to responsively meet customer demands. This will minimize the total cost of network operations and maximize network performance, capacity, and reliability.

Traffic Engineering (TE) is comprised of methods for measurement, modeling, characterization and network control. The goal of TE is the optimization of network resource utilization and traffic performance [RFC2702]. Since control and administrative reaction to measurement results requires access to the involved network nodes, TE mechanisms and the required measurement function usually are performed within one administrative domain. Typical parameters required for TE are

link utilization, load between specific network nodes, number, size and entry/exit points of the active flows and routing information.

Attack/Intrusion Detection

Capturing flow information plays an important role for network security, both for detection of security violation and for subsequent defense. In case of a Denial of Service (DOS) attack, flow monitoring can allow detection of unusual load situations or suspicious flows. In a second step, you can perform flow analysis in order to gather information about the attacking flows and for deriving a defense strategy. Intrusion detection is a potentially more demanding application which would not only look at specific characteristics of flows, but that may also use a *stateful* packet flow analysis for detecting specific, suspicious activities, or unusually frequent activities. Such activities may be characterized by specific communication patterns, detectable by characteristic sequences of certain packet types.

Network Surveillance

NetFlow data enables network managers to gain a detailed understanding of customer/user utilization of network and application resources. Network surveillance requires collection and storage of information that characterizes flows and possibly the collection and storage of selected packets (this information will help you detect and resolve potential security and policy violations, and allow you to efficiently plan and allocate access to backbone and application resources). Since data collected for the purpose of network surveillance often contains sensitive information, adequate security mechanisms are required in order to avoid misuse of the sensitive information.

QoS Monitoring

NetFlow data enables extensive near real-time network monitoring capabilities. You may use flow-based analysis techniques to visualize traffic patterns associated with individual routers and switches as well as on a network-wide basis (providing aggregate traffic or application-based views) to provide proactive problem detection, efficient troubleshooting, and rapid problem resolution.

QoS monitoring is the non-intrusive (passive) measurement of quality parameters for single flows or traffic aggregates. In contrast to intrusive (active) measurements, non-intrusive measurements utilize the existing traffic in the network for QoS analysis. Since no test traffic is sent, non-intrusive measurements are applied only in situations where the traffic of interest is already present in the network. One example application is the validation of QoS parameters negotiated in a service level specification (SLS). Non-intrusive measurements cannot provide the kind of controllable experiments you can achieve with active measurements. On the other hand, non-intrusive measurements do not suffer from undesired side effects caused by sending test traffic (e.g., additional load, “Heisenberg” effects, potential differences in treatment of test traffic, and real customer traffic).

QoS monitoring often requires the correlation of data from multiple measurement instances to measure one-way metrics. This requires proper clock synchronization of the involved measurement

instances. For some measurements, you must correlate packet events at different measurement points—provisioning post-processing functions (e.g., packet ID generation) at the measurement instances would be useful. QoS monitoring can lead to a huge amount of measurement result data; therefore, it would highly benefit mechanisms to reduce measurement data such as aggregation of results and sampling.

NetFlow Data Warehousing and Mining

When you warehouse NetFlow data (or derived information) for later retrieval and analysis, you can determine which applications internal and external users utilize and target these services for improvement. This is especially useful for determining the relevant *who, what, where, and how long* information that will allow you to add greater depth to your services.

NetFlow Activation and Data Collection Strategy

NetFlow deployment requires careful planning and service activation on strategically located edge/aggregation routers and WAN access routers which capture the data required for planning, monitoring, and accounting applications. Key deployment considerations include the following:

- Use NetFlow services as an edge metering and access list performance acceleration tool—not activated on “hot” core/backbone routers or routers running at very high CPU utilization rates.
- Understand your application-driven data collection requirements: accounting applications may require only originating and terminating router flow information whereas monitoring applications may require a more comprehensive, data-intensive end-to-end view.
- Understand the impact of your network topology and routing policy on the flow collection strategy. For example, avoid collecting duplicate flows by activating NetFlow on key aggregation routers where traffic originates or terminates—not on backbone or intermediate routers that would provide duplicate views of the same flow information.
- Service providers in the “transit carrier” business (i.e., carrying traffic neither originating nor terminating on their network) may utilize NetFlow Export data for measuring transit traffic usage of network resources for accounting and billing purposes.

Note: NetFlow cannot monitor traffic exits in a multicast environment. If you want to collect statistics on traffic moving through your system, you must monitor the input port(s).

L4-Bridging

Because L4-bridging and L3-routing behave differently, NetFlow supports L4-bridging on a limited basis. When a packet routes to an L4 bridge, it may route using any number of interfaces connected to the same port—this prevents NetFlow from correctly determining the destination and output port attributes. By default, NetFlow sets the autonomous system ID, netmask information, and destination field values (except the destination IP) to zero.

Multicast Flows

Similar to L4-bridging, multicast flows are also supported on a limited basis. When a packet routes to a multicast flow, it may route using any number of interfaces connected to the same port—this prevents NetFlow from correctly determining the destination and output port attributes. By default, NetFlow sets the destination field values (except the destination IP) to zero and netmasks for a multicast flow to /32.

Chapter 28

WAN Configuration Guide

This chapter provides an overview of Wide Area Network (WAN) applications as well as an overview of both Frame Relay and PPP configuration for the XP. In addition, you can view an example of a multi-router WAN configuration complete with diagram and configuration files in *WAN Configuration Examples* on page 384.

WAN Overview

On the Enterasys X-Pedition, Wide Area Network (WAN) routing is performed over a serial interface using two basic protocols: Frame Relay and point-to-point protocol (PPP). Both protocols have their own set of configuration and monitoring CLI commands described in the *Enterasys X-Pedition Command Line Interface Reference Manual*. Configuring WAN Interfaces

WAN Ports

Consider the following points when working with WAN ports:

- WAN ports do not support STP per VLAN.
- You must add WAN ports to a non-default VLAN to allow flooding of packets.
- Layer-2 traffic will not bridge on WAN ports in the default VLAN.

High-Speed Serial Interface (HSSI) and Standard Serial Interfaces

In both the Frame Relay and PPP environments on the XP, you can specify ports to be High-Speed Serial Interface (HSSI) or standard serial interface ports, depending, of course, on the type of

hardware you have. Each type of interface plays a part in the nomenclature of port identification. You must use either the “hs.” or “se.” prefix for HSSI and serial interfaces, respectively, when specifying WAN port identities.

For example, you would specify a frame relay serial WAN port located at router slot 4, port 1, on VC 100 as “se.4.1.100”.

Using the same approach, a PPP high-speed serial interface (HSSI) WAN port located at router slot 3, port 2 would be identified as “hs.3.2”.

Configuring WAN Interfaces

Configuring IP & IPX interfaces for the WAN is generally the same as for the LAN. As with any IP network, when you assign an IP/IPX address to each interface and define routing mechanisms such as OSPF or RIP, you can configure the IP interface on the physical port or you can configure the interface as part of a VLAN. In the case of IP interfaces, you can configure multiple IP addresses for each interface. Please refer to *Configuring IP Interfaces and Parameters on page 106* and *Configuring IPX Interfaces and Parameters on page 278*.

Note: A VLAN containing both LAN and WAN ports will not support interfaces configured with IPX.

Note: The maximum MTU for WAN interfaces is 1500 bytes.

Special considerations that apply to WAN interfaces are detailed in this section.

Primary and Secondary Addresses

Like LAN interfaces, WAN interfaces can have primary and secondary IP addresses. For Frame Relay, you can configure primary and secondary addresses which are static or dynamic. For PPP, however, the primary addresses may be dynamic or static, but the secondary addresses must be static. This is because the primary addresses of both the local and peer routers are exchanged during IPCP/IPXCP negotiation.

Note: There is no mechanism in PPP for obtaining any secondary addresses from the peer. For PPP, IPX network numbers for local and peer routers must match.

Static, Mapped, and Dynamic Peer IP/IPX Addresses

The following sections describe the difference between static, mapped, and dynamic peer IP and IPX addresses and provide simple command line examples for configuration.

Static Addresses

If the peer IP/IPX address is known before system setup, you can specify the peer address when the interface is created. This disables Inverse ARP (InArp) for Frame Relay on that source/peer address pair; however, InArp will still be enabled for any other addresses on that interface or other interfaces. A static peer address for PPP means that the address the peer supplies during IP Control Protocol (IPCP) or IPX Control Protocol (IPXCP) negotiations will be ignored.

The following command line displays an example for a port:

```
interface create ip IPWAN address-netmask 10.50.1.1/16 peer-address 10.50.1.2 port hs.3.1
```

The following command line displays an example for a VLAN:

```
interface create ip IPWAN address-netmask 10.50.1.1/16 peer-address 10.50.1.2 vlan BLUE
```

Mapped Addresses

Mapped peer IP/IPX addresses are very similar to static addresses in that InArp is disabled for Frame Relay and the address negotiated in IPCP/IPXCP is ignored for PPP.

Mapped addresses are most useful when you do not want to specify the peer address using the **interface create** command. This would be the case if the interface is created for a VLAN and there are many peer addresses on the VLAN. If any of the peers on the VLAN do not support InArp or IPCP/IPXCP, use a mapped address to configure the peer address.

The following command lines display two examples for Frame Relay:

```
frame-relay set peer-address ip-address 10.50.1.1/16 ports se.4.1.204
```

```
frame-relay set peer-address ipx-address a1b2c3d4.aa:bb:cc:dd:ee:ff ports se.6.3.16
```

The following command line displays two examples for PPP:

```
ppp set peer-address ip-address 10.50.1.1/16 ports se.4.1
```

```
ppp set peer-address ipx-address a1b2c3d4.aa:bb:cc:dd:ee:ff ports se.6.3
```

Dynamic Addresses

If the peer IP/IPX address is unknown, you do not need to specify it when creating the interface. When in the Frame Relay environment, the peer address will be automatically discovered via InArp.

Note: The default interface type is “broadcast.” If you connect an interface to a router capable of “point-to-point” only, you must specify the interface type as point-to-point within the configuration.

Similarly, the peer address will be automatically discovered via IPCP/IPXCP negotiation in a PPP environment.

The following command lines display examples for a port and a VC:

```
interface create ip IPWAN address-netmask 10.50.1.1/16 port hs.3.1
```

```
interface create ip IPWAN address-netmask 10.50.1.1/16 port hs.5.2.19
```

The following command line displays an example for a VLAN:

```
interface create ip IPWAN address-netmask 10.50.1.1/16 vlan BLUE
```

Forcing Bridged Encapsulation

WAN for the XP has the ability to force bridged packet encapsulation. This feature has been provided to facilitate seamless compatibility with Cisco routers, which expect bridged encapsulation in certain operating modes.

The following command line displays an example for Frame Relay:

```
frame-relay set fr-encaps-bgd ports hs.5.2.19
```

The following command line displays an example for PPP:

```
ppp set ppp-encaps-bgd ports hs.5.2
```

Packet Compression

Packet compression can increase throughput and shorten the times needed for data transmission. You can enable packet compression for Frame Relay VCs and for PPP ports, however, both ends of a link must be configured to use packet compression.

Enabling compression on WAN serial links should be decided on a case by case basis. Important factors to consider include:

- average packet size
- nature of the data
- link integrity

- latency requirements

Each of these factors is discussed in more detail in the following sections and should be taken into consideration before enabling compression. Since the factors are dependent on the environment, you should first try running with compression histories enabled. If compression statistics do not show a very good long-term compression ratio, then select the “no history” option. If the compression statistics do not improve or show a ration of less than 1, then compression should be disabled altogether.

Average Packet Size

In most cases, the larger the packet size, the better the potential compression ratio. This is due to the overhead involved with compression, as well as the compression algorithm. For example a link which always deals with minimum size packets may not perform as well as a link whose average packet size is much larger.

Nature of the Data

In general, data that is already compressed cannot be compressed any further. In fact, packets that are already compressed will grow even larger. For example, if you have a link devoted to streaming MPEG videos, you should *not* enable compression as the MPEG video data is already compressed.

Link Integrity

Links with high packet loss or links that are extremely over-subscribed may not perform as well with compression enabled. If this is the situation on your network, you should *not* enable compression histories (this applies only to PPP compressions; in Frame Relay compression, histories are always used).

Compression histories take advantage of data redundancy *between* packets. In an environment with high packet loss or over-subscribed links, there are many gaps in the packet stream resulting in very poor use of the compression mechanism. Compression histories work best with highly-correlated packet streams. Thus, a link with fewer flows will generally perform better than a link with many flows when compression histories are utilized.

The “no history” (max-histories = 0) option causes packets to be compressed on a packet-by-packet basis, thus packet loss is not a problem. Also, the number of flows is not an issue with this option as there is no history of previous packets.

Latency Requirements

The use of compression may affect a packet’s latency. Since the compressed packet is smaller, less time is needed to transmit it. On the other hand, each packet must undergo a compression/decompression process. Since the compression ratio will vary, the amount of latency will also vary.

Example Configurations

The following command line displays an example for Frame Relay:

```
frame-relay set payload-compress ports se.3.1.300
```

The following command line displays an example for PPP:

```
ppp set payload-compress port se.4.2
```

Packet Encryption

Packet encryption allows data to travel through unsecured networks. You can enable packet encryption for PPP ports, however, both ends of a link must be configured to use packet encryption.

The following command line displays an example:

```
ppp set payload-encrypt transmit-key 0x123456789abcdef receive-key 0xfedcba987654321 port se.4.2, mp.1
```

WAN Quality of Service

Increasing concentrations of audio, video, and data traffic are now presenting the networking industry with the significant challenge of employing the most effective use of WAN Quality-of-Service (QoS) as possible to ensure reliable end-to-end communication. For example, critical and time-sensitive traffic such as audio should have higher levels of bandwidth allocated than less time-sensitive traffic such as file transfers or e-mail. Simply adding more and more bandwidth to a network is not a viable solution to the problem. WAN access is extremely expensive, and there is a limited (albeit huge) supply. Therefore, making the most effective use of existing bandwidth is now a more critical issue than ever before.

The fact that IP communications to the desktop are clearly the most prevalent used today has made it the protocol of choice for end-to-end audio, video, and data applications. This means that the challenge for network administrators and developers has been to construct their networks to support these IP-based audio, video, and data applications along with their tried-and-true circuit-based applications over a WAN.

In addition, these audio, video, and data traffic transmissions hardly ever flow at a steady rate. Some periods will see relatively low levels of traffic, and others will temporarily surpass a firm's contracted Committed Information Rate (CIR). Carrier-based packet-switched networks such as Frame Relay and ATM are designed to handle these temporary peaks in traffic, but it is more cost- and resource- efficient to employ effective QoS configuration(s), thus relaxing the potential need to up your firm's CIR. By applying some of the following sorts of attributes to interfaces on your network, you can begin to shape your network's QoS configuration to use existing bandwidth more effectively.

Source Filtering and ACLs

Source filtering and ACLs can be applied to a WAN interface; however, they affect the entire module, not an individual port. For example, if you want to apply a source MAC address filter to a WAN serial card located in slot 5, port 2, your configuration command line would look like the following:

```
xp(config)# filters add address-filter name wan1 source-mac 000102:030405 vlan 2 in-port-list se.5
```

Port se.5 is specified instead of se.5.2 because source filters affect the entire WAN module. Hence, in this example, **source-mac 000102:030405** would be filtered from ports se.5.1, se.5.2, se.5.3, and se.5.4 (assuming that you are using a four-port serial card).

ACLs work in a similar fashion. For example, if you define an ACL to deny all http traffic on one of the WAN interfaces, it will apply to the other WAN interfaces on that module as well. In practice, by making your ACLs more specific, for example by specifying source and destination IP addresses with appropriate subnet masks, you can achieve your intended level of control.

Weighted-Fair Queueing

Through the use of Weighted-Fair Queueing QoS policies, WAN packets with the highest priority can be allotted a sizable percentage of the available bandwidth and “whisked through” WAN interface(s). Meanwhile, the remaining bandwidth is distributed for “lower-priority” WAN packets according to the user’s percentage-of-bandwidth specifications. Please refer to the *Enterasys X-Pedition Command Line Interface Reference Manual* for more detailed QOS command configuration information.

Note: Weighted-Fair Queueing applies only to best-effort traffic on the WAN card. If you apply any of the WAN specific traffic shaping commands, then weighted fair queueing will no longer be applicable.

Congestion Management

One of the most important features of configuring the XP to ensure Quality of Service is the obvious advantage gained when you are able to avoid network congestion. The following topics touch on a few of the most prominent aspects of congestion avoidance when configuring the XP.

Random Early Discard (RED)

RED allows network operators to manage traffic during periods of congestion based on policies. Random Early Discard (RED) works with TCP to provide fair reductions in traffic proportional to the bandwidth being used. Weighted Random Early Discard (WRED) works with IP Precedence or priority, as defined in the **qos** configuration command line, to provide preferential traffic handling for higher-priority traffic.

The CLI commands related to RED in both the Frame Relay and PPP protocol environments allow you to set maximum and minimum threshold values for each of the low-, medium-, and high-priority categories of WAN traffic.

Adaptive Shaping

Adaptive shaping implements the congestion-sensitive rate adjustment function and has the following characteristics:

- No blocking of data flow under normal condition if the traffic rate is below $Bc+Be$
- Reduction to a lower CIR upon detection of network congestion
- Progressive return to the negotiated information transfer rate upon congestion abatement

The CLI command related to adaptive shaping allows you to set threshold values for triggering the adaptive shaping function.

Frame Relay Overview

Frame relay interfaces are commonly used in a WAN to link several remote routers together via a single central switch. This eliminates the need to have direct connections between all of the remote members of a complex network, such as a host of corporate satellite offices. The advantage that Frame Relay offers to this type of geographic layout is the ability to switch packet data across the interfaces of different types of devices like switch-routers and bridges, for example.

Frame Relay employs the use of Virtual Circuits (VCs) when handling multiple logical data connections over a single physical link between different pieces of network equipment. The Frame Relay environment, by nature, deals with these connections quite well through its extremely efficient use of precious (sometimes scarce) bandwidth.

You can set up frame relay ports on your XP with the commands described in Chapter 15: “frame-relay Commands” in the *Enterasys X-Pedition Command Line Interface Reference Manual*.

Virtual Circuits

You can think of a Virtual Circuit (VC) as a “virtual interface” (sometimes referred to as “sub-interfaces”) over which Frame Relay traffic travels. Frame Relay interfaces on the XP use one or more VCs to establish bidirectional, end-to-end connections with remote end points throughout the WAN. For example, you can connect a series of multi-protocol routers in various locations using a Frame Relay network.

Permanent Virtual Circuits (PVCs)

WAN interfaces can take advantage of connections that assure a minimum level of available bandwidth at all times. These standing connections, called Permanent Virtual Circuits (PVCs),

allow you to route critical packet transmissions from host to peer without concern for network congestion significantly slowing, let alone interrupting, your communications. PVCs are the most prevalent type of circuit used today and are similar to dedicated private lines in that you can lease and set them up through a service provider.

In a corporate setting, network administrators can use PVCs in an internal network to set aside bandwidth for critical connections, such as videoconferencing with other corporate departments.

Configuring Frame Relay Interfaces for the XP

This section provides an overview of configuring a host of WAN parameters and setting up WAN interfaces. When working in the Frame Relay protocol environment, you must first define the type and location of the WAN interface. Having established the type and location of your WAN interfaces, you need to (optionally) define one or more service profiles for your WAN interfaces, then apply a service profile to the desired interface(s). An example of this process is covered in *Frame Relay Port Configuration* on page 379.

Defining the Type and Location of a Frame Relay and VC Interface

To configure a frame relay WAN port, you need to first define the type and location of one or more frame relay WAN ports or virtual circuits (VCs) on your XP. The following command line displays a simplified example of a frame relay WAN port definition:

Define the type and location of a frame relay WAN port.	<code>port set <port> wan-encapsulation frame-relay speed <number></code>
---	---

Note: If the port is a HSSI port that will be connected to a HSSI port on another router, you can also specify `clock <clock-source>` in your definition.

Then, you must set up a frame relay virtual circuit (VC). The following command line displays a simplified example of a VC definition:

Define the type and location of a frame relay VC.	<code>frame-relay create vc <port></code>
---	---

Setting up a Frame Relay Service Profile

Once you have defined the type and location of your Frame Relay WAN interface(s), you can configure your XP to more efficiently utilize available bandwidth for Frame Relay communications.

Note: The XP comes with a set of “default values” for Frame Relay interface configuration settings, which means that setting up a Frame Relay service profile is not absolutely necessary to begin sending and receiving Frame Relay traffic on your XP.

After you configure one or more service profiles for your Frame Relay interface(s), you can then apply a service profile to active Frame Relay WAN ports, specifying their behavior when handling Frame Relay traffic. The following command line displays all of the possible attributes used to define a Frame Relay service profile:

Define a frame relay service profile.	frame-relay define service <service name> [Bc <number>] [Be <number>] [becn-adaptive-shaping <number>] [cir <number>] [high-priority-queue-depth <number>] [low-priority-queue-depth <number>] [med-priority-queue-depth <number>] [red on off] [red-maxTh-high-prio-traffic <number>] [red-maxTh-low-prio-traffic <number>] [red-maxTh-med-prio-traffic <number>] [red-minTh-high-prio-traffic <number>] [red-minTh-low-prio-traffic <number>] [red-minTh-med-prio-traffic <number>] [rmon on off]
---------------------------------------	--

Applying a Service Profile to an Active Frame Relay WAN Port

Once you have created one or more Frame Relay service profiles, you can specify their use on one or more active Frame Relay WAN ports on the XP. The following command line displays a simplified example of this process:

Apply a service profile to an active WAN port.	frame-relay apply service <service name> ports <port list>
--	---

Monitoring Frame Relay WAN Ports

Once you have configured your frame relay WAN interface(s), you can use the CLI to monitor status and statistics for your WAN ports. The following table describes the monitoring commands for WAN interfaces, designed to be used in Enable mode:

Display a particular frame relay service profile	frame-relay show service <service name>
Display all available frame relay service profiles	frame-relay show service all
Display the last reported frame relay error	frame-relay show stats port <port name> last-error
Display active frame relay LMI parameters	frame-relay show stats port <port name> lmi
Display MIBII statistics for frame relay WAN ports	frame-relay show stats port <port name> mibII
Display a summary of all LMI statistics	frame-relay show stats port <port name> summary

Frame Relay Port Configuration

To configure Frame Relay WAN ports, you must first define the type and location of the WAN interface, optionally “set up” a library of configuration settings, then apply those settings to the desired interface(s). The following examples are designed to give you a small model of the steps necessary for a typical Frame Relay WAN interface specification.

To define the location and identity of a serial Frame Relay WAN port located at slot 5, port 1 with a speed rating of 45 million bits per second:

```
xp(config)# port set se.5.1 wan-encapsulation frame-relay speed 45000000
```

To define the location and identity of a High-Speed Serial Interface (HSSI) VC located at slot 4, port 1 with a DLC of 100:

```
xp(config)# frame-relay create vc hs.4.1.100
```

Suppose you wish to set up a service profile called “profile1” that includes the following characteristics:

- Committed burst value of 2 million and excessive burst value of 1 million
- BECN active shaping at 65 frames
- Committed information rate (CIR) of 20 million bits per second
- Leave high-, low-, and medium-priority queue depths set to factory defaults
- Random Early Discard (RED) disabled
- RMON enabled

The command line necessary to set up a service profile with the above attributes would be as follows:

```
xp(config)# frame-relay define service profile1 Bc 2000000 Be 10000000 becn-adaptive-shaping 65 cir 20000000 red off rmon on
```

To assign the above service profile to the VC interface created earlier (slot 4, port 1):

```
xp(config)# frame-relay apply service profile1 ports hs.4.1.100
```

Point-to-Point Protocol (PPP) Overview

Because of its ability to quickly and easily accommodate IP and IPX protocol traffic, Point-to-Point Protocol (PPP) routing has become a very important aspect of WAN configuration. Using PPP, you can set up router-to-router, host-to-router, and host-to-host connections.

Note: For PPP, IPX network numbers for local and peer routers must match.

Establishing a connection in a PPP environment requires that the following events take place:

- The router initializing the PPP connection transmits Link Control Protocol (LCP) configuration and test frames to the remote peer to set up the data link.
- Once the connection has been established, the router that initiated the PPP connection transmits a series of Network Control Protocol (NCP) frames necessary to configure one or more network-layer protocols.
- Finally, when the network-layer protocols have been configured, both the host and remote peer can send packets to one another using any and all of the configured network-layer protocols.

The link will remain active until explicit LCP or NCP frames instruct the host and/or the peer router to close the link, or until some external event (i.e., user interruption or system time-out) takes place.

You can set up PPP ports on your XP with the commands described in the *Enterasys X-Pedition Command Line Interface Reference Manual*.

Use of LCP Magic Numbers

LCP magic numbers enable you to detect situations where PPP LCP packets are looped back from the remote system, resulting in an error message. The use of LCP magic numbers is enabled on the XP by default; however, should you employ a service profile in which the use of LCP magic numbers has been disabled, undetected “loopback” behavior may become a problem.

Note: In the event that a PPP WAN interface remains unrecognized at startup due to loopback interference, you can use the **ppp restart** command in the CLI to remedy the situation.

Configuring PPP Interfaces

This section provides an overview of configuring a host of WAN parameters and setting up WAN interfaces. When working in the PPP environment, you must first define the type and location of your WAN interfaces. Having established the type and location of your WAN interfaces, you need to (optionally) define one or more service profiles for your WAN interfaces, then apply a service profile to the desired interface(s). Examples of this process are displayed in *PPP Port Configuration on page 383*.

Defining the Type and Location of a PPP Interface

To configure a PPP WAN port, you need to first define the type and location of one or more PPP WAN ports on your XP. The following command line displays a simplified example of a PPP WAN port definition:

Define the type and location of a PPP WAN port.	<code>port set <port> wan-encapsulation ppp speed <number></code>
---	---

If the port is an HSSI port that will be connected to a HSSI port on another router, you can specify **clock** <clock-source> in the definition. (This feature is supported on HSSI boards, part number XP-HSSI-02-AA.)

Setting up a PPP Service Profile

Once you have defined the type and location of your PPP WAN interface(s), you can configure your XP to more efficiently utilize available bandwidth for PPP communications.

Note: The XP comes with a set of “default values” for PPP interface configuration settings, which means that setting up a PPP service profile is not absolutely necessary to begin sending and receiving PPP traffic on your XP.

After you configure one or more service profiles for your PPP interface(s), you can then apply a service profile to active PPP WAN ports, specifying their behavior when handling PPP traffic. The following command line displays all of the possible attributes used to define a PPP service profile:

Define a PPP service profile.	<code>ppp define service <service name> [bridging enable disable ip enable disable ipx enable disable] [high-priority-queue-depth <number>] [lcp-echo on off] [lcp-magic on off] [low-priority-queue-depth <number>] [max-configure <number>] [max-failure <number>] [max-terminate <number>] [med-priority-queue-depth <number>] [red on off] [red-maxTh-high-prio-traffic <number>] [red-maxTh-low-prio-traffic <number>] [red-maxTh-med-prio-traffic <number>] [red-minTh-high-prio-traffic <number>] [red-minTh-low-prio-traffic <number>] [red-minTh-med-prio-traffic <number>] [retry-interval <number>] [rmon on off]</code>
-------------------------------	---

Note: If it is necessary to specify a value for Bridging, IP, and/or IPX, you must specify all three of these values at the same time. You cannot specify just one or two of them in the command line without the other(s).

Applying a Service Profile to an Active PPP Port

Once you have created one or more PPP service profiles, you can specify their use on one or more active PPP ports on the XP. The following command line displays a simplified example of this process:

Apply a service profile to an active WAN port.	ppp apply service <service name> ports <port list>
--	--

Configuring Multilink PPP Bundles

The Multilink PPP (MLP) standard defines a method for grouping multiple physical PPP links into a logical pipe, called an “MLP bundle”. Large packets are fragmented and transmitted over each physical link in an MLP bundle. At the destination, MLP reassembles the packets and places them in their correct sequence.

The following table describes the commands for configuring MLP:

Add PPP port(s) to an MLP bundle.	ppp add-to-mlp <mlp > port <port list>
Create MLP bundle(s).	ppp create-mlp <mlp list> slot <number>
Set MLP encapsulation format.	ppp set mlp-encaps-format ports <port list> [format short-format]
Set the size of frames that fragmented for transmission on an MLP bundle.	ppp set mlp-frag-size ports <port list> size <size >
Set the depth of the queue used to hold MLP packets for preserving the packet order.	ppp set mlp-orderq-depth ports <port list> qdepth <number-of-packets>
Set the depth of the queue used to hold packet fragments for reassembly.	ppp set mlp-fragq-depth ports <port list> qdepth <number-of-packets>

Compression on MLP Bundles or Links

Compression can be applied on either a bundle or link basis if MLP is enabled on PPP links. If compression is enabled on a bundle, the packets will be compressed *before* processing by MLP. If compression is enabled on a link, the packets will be compressed *after* the MLP processing.

In general, choose bundle compression over link compression whenever possible. Compressing packets before they are “split” by MLP is much more efficient for both the compression algorithm and the WAN card. Link compression is supported to provide the widest range of compatibility with other vendors’ equipment.

Monitoring PPP WAN Ports

Once you have configured your PPP WAN interface(s), you can use the CLI to monitor status and statistics for your WAN ports.

Note: WAN traffic received on a WAN port reflects on the first physical port of the module only.

The following table describes the monitoring commands for WAN interfaces, designed for use in Enable mode:

Display a particular PPP service profile.	ppp show service <service name>
Display all available PPP service profiles.	ppp show service all
Display bridge NCP statistics for specified PPP WAN port.	ppp show stats port <port name> bridge-ncp
Display IP NCP statistics for specified PPP WAN port.	ppp show stats port <port name> ip-ncp
Display link-status statistics for a specified PPP WAN port.	ppp show stats port <port name> link-status
Displays information for PPP ports that are added to MLP bundles.	ppp show mlp <mlp list> all-ports

PPP Port Configuration

To configure PPP WAN ports, you must first define the type and location of the WAN interface, optionally “set up” a library of configuration settings, then apply those settings to the desired interface(s). The following examples are designed to give you a small model of the steps necessary for a typical PPP WAN interface specification.

To define the location and identity of a High-Speed Serial Interface (HSSI) PPP WAN port located at router slot 5, port 1 with a speed rating of 45 million bits per second:

```
xp(config)# port set hs.5.1 wan-encapsulation ppp speed 45000000
```

Suppose you wish to set up a service profile called “profile2” that includes the following characteristics:

- Bridging enabled
- Leave high-, low-, and medium-priority queue depths set to factory defaults
- IP and IPX enabled
- Sending of LCP Echo Requests disabled

- Use of LCP magic numbers disabled
- The maximum allowable number of unanswered requests set to 8
- The maximum allowable number of negative-acknowledgment transmissions set to 5
- The maximum allowable number of unanswered/improperly answered connection-termination requests before declaring the link to a peer lost set to 4
- Random Early Discard disabled
- The number of seconds between subsequent configuration request transmissions (the “retry interval”) set to 25
- RMON enabled

The command line necessary to set up a service profile with the above attributes would be as follows:

```
xp(config)# ppp define service profile2 bridging enable ip enable ipx enable lcp-echo off lcp-magic off
max-configure 8 max-failure 5 max-terminate 4 red off retry-interval 25 rmon on
```

To assign the above service profile to the active PPP WAN port defined earlier (slot 5, port 1):

```
xp(config)# ppp apply service profile2 ports hs.5.1
```

WAN Configuration Examples

Simple Configuration File

The following is an example of a simple configuration file used to test frame relay and PPP WAN ports:

```
port set hs.5.1 wan-encapsulation frame-relay speed 45000000
port set hs.5.2 wan-encapsulation ppp speed 45000000
interface create ip fr1 address-netmask 10.1.1.1/16 port hs.5.1.100
interface create ip ppp2 address-netmask 10.2.1.1/16 port hs.5.2
interface create ip lan1 address-netmask 10.20.1.1/16 port et.1.1
interface create ip lan2 address-netmask 10.30.1.1/16 port et.1.2
ip add route 10.10.0.0/16 gateway 10.1.1.2
ip add route 10.40.0.0/16 gateway 10.2.1.2
```

For a broader, more application-oriented WAN configuration example, see [Multi-Router WAN Configuration](#) next.

Multi-Router WAN Configuration

The following is a diagram of a multi-router WAN configuration encompassing three subnets. From the diagram, you can see that R1 is part of both Subnets 1 and 2; R2 is part of both Subnets 2 and 3; and R3 is part of subnets 1 and 3. You can click on the router label (in blue) to jump to the actual text configuration file for that router:

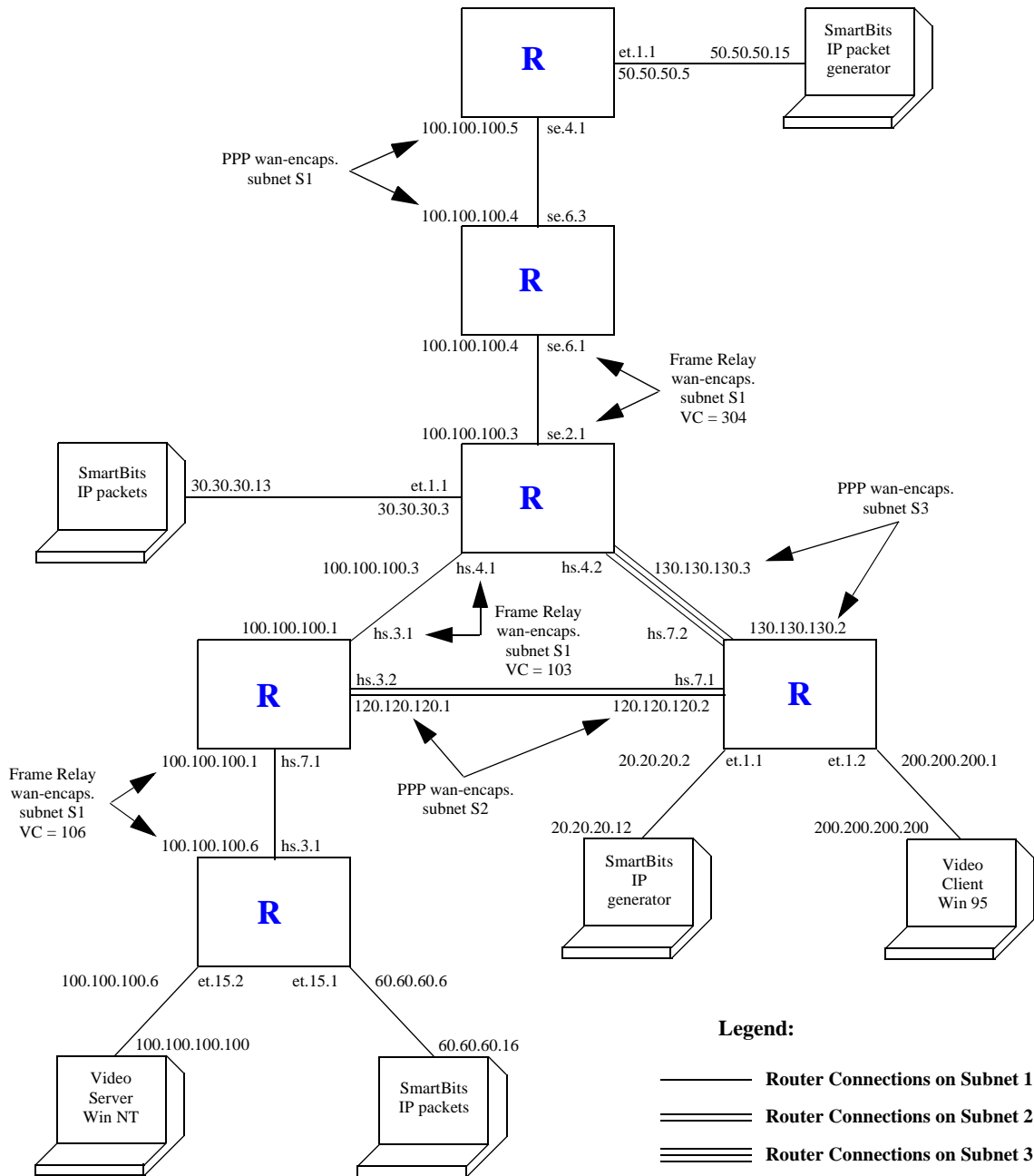


Figure 28. Multi-router WAN configuration

Router R1 Configuration File

The following configuration file applies to Router R1.

```

-----
Configuration for ROUTER R1
-----
port set hs.7.1 wan-encapsulation frame-relay speed 45000000
port set hs.3.1 wan-encapsulation frame-relay speed 45000000
port set hs.3.2 wan-encapsulation ppp speed 45000000
port set et.1.* duplex full

frame-relay create vc port hs.7.1.106
frame-relay create vc port hs.3.1.103
frame-relay define service CIRforR1toR6 cir 45000000 bc 450000
frame-relay apply service CIRforR1toR6 ports hs.7.1.106

vlan create s1 id 200
vlan create s2 id 300
vlan add ports hs.3.1.103,hs.7.1.106 to s1
vlan add ports hs.3.2 to s2
interface create ip s1 address-netmask 100.100.100.1/16 vlan s1
interface create ip s2 address-netmask 120.120.120.1/16 vlan s2

rip add interface all
rip set interface all version 2
rip set interface all xmt-actual enable
rip set auto-summary enable
rip start

system set name R1

```

Router R2 Configuration File

The following configuration file applies to Router R2.

```

-----
Configuration for ROUTER R2
-----
port set hs.7.1 wan-encapsulation ppp speed 45000000
port set hs.7.2 wan-encapsulation ppp speed 45000000
port set et.1.* duplex full

vlan create s2 id 300
interface create ip PPPforR2toR3 address-netmask 130.130.130.2/16 peer-address 130.130.130.3 port hs.7.2
interface create ip SBitsLAN address-netmask 20.20.20.2/16 port et.1.1
vlan add ports hs.7.1 to s2
interface create ip s2 address-netmask 120.120.120.2/16 vlan s2
interface create ip VideoClient address-netmask 200.200.200.1/16 port et.1.2

qos set ip VideoFromNT high 100.100.100.100 200.200.200.200 any any
qos set ip VideoFrom95 high 200.200.200.200 100.100.100.100 any any

rip add interface all

```



```

rip set interface all version 2
rip set auto-summary enable
rip start

system set name R2
arp add 20.20.20.12 exit-port et.1.1 mac-addr 000202:020200

```

Router R3 Configuration File

The following configuration file applies to Router R3.

```

-----
Configuration for ROUTER R3
-----
port set se.2.1 wan-encapsulation frame-relay speed 1500000
port set et.1.* duplex full
port set hs.4.1 wan-encapsulation frame-relay speed 45000000
port set hs.4.2 wan-encapsulation ppp speed 45000000

frame-relay create vc port se.2.1.304
frame-relay create vc port hs.4.1.103

vlan create s1 id 200
interface create ip SBitsLAN address-netmask 30.30.30.3/16 port et.1.1
vlan add ports hs.4.1.103,se.2.1.304 to s1
interface create ip PPPforR2toR3 address-netmask 130.130.130.3/16 peer-address 130.130.130.2 port hs.4.2
interface create ip s1 address-netmask 100.100.100.3/16 vlan s1

rip add interface all
rip set interface all version 2
rip set interface all xmt-actual enable
rip set broadcast-state always
rip set auto-summary enable
rip start

system set name R3

arp add 30.30.30.13 exit-port et.1.1 mac-addr 000303:030300

```

Router R4 Configuration File

The following configuration file applies to Router R4.

```

-----
Configuration for ROUTER R4
-----
port set se.6.1 wan-encapsulation frame-relay speed 1500000
port set se.6.3 wan-encapsulation ppp speed 1500000
port set et.1.* duplex full

```

```
frame-relay create vc port se.6.1.304

vlan create s1 id 200
vlan add ports se.6.1.304,se.6.3 to s1
interface create ip s1 address-netmask 100.100.100.4/16 vlan s1

rip add interface all
rip set interface all version 2
rip set interface all xmt-actual enable
rip set broadcast-state always
rip set auto-summary enable
rip start

system set name R4
```

Router R5 Configuration File

The following configuration file applies to Router R5.

```
-----
Configuration for ROUTER R5
-----
port set se.4.1 wan-encapsulation ppp speed 1500000
port set et.1.* duplex full

vlan create s1 id 200

interface create ip lan1 address-netmask 50.50.50.5/16 port et.1.1
vlan add ports se.4.1 to s1
interface create ip s1 address-netmask 100.100.100.5/16 vlan s1

rip add interface all
rip set auto-summary enable
rip set interface all version 2
rip start

system set name R5

arp add 50.50.50.15 mac-addr 000505:050500 exit-port et.1.1
```

Router R6 Configuration File

The following configuration file applies to Router R6.

```
-----
Configuration for ROUTER R6
-----
port set et.15.* duplex full
port set hs.3.1 wan-encapsulation frame-relay speed 45000000
```

```
frame-relay create vc port hs.3.1.106
frame-relay define service CIRforR1toR6 cir 45000000 bc 450000
frame-relay apply service CIRforR1toR6 ports hs.3.1.106

vlan create BridgeforR1toR6 port-based id 106
interface create ip FRforR1toR6 address-netmask 100.100.100.6/16 vlan BridgeforR1toR6
interface create ip lan1 address-netmask 60.60.60.6/16 port et.15.1
vlan add ports hs.3.1.106 to BridgeforR1toR6
vlan add ports et.15.2 to BridgeforR1toR6

qos set ip VideoFromNT high 100.100.100.100 200.200.200.200 any any
qos set ip VideoFrom95 high 200.200.200.200 100.100.100.100 any any

rip add interface all
rip set interface all version 2
rip set auto-summary enable
rip start

system set name R6

arp add 60.60.60.16 mac-addr 000606:060600 exit-port et.15.1
```

